

1/76

RUSSIAN MEDIUM
TANK T-34/85

VOLGA

FUJIMI 1/76 SCALE WORLD ARMOR SERIES NO.16

ロシア中戦車 ホルガ






1/76 RUSSIAN VOLGA

White decals on white backing paper are hard to scan!

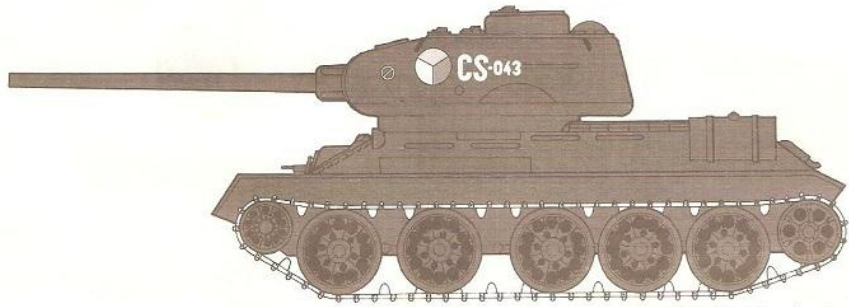
The decals read:

209	209		
212	212	CS-043	
299	299	CS-043	



RUSSIAN MEDIUM TANK VOLGA

1:76 SCALE MODEL KIT ASSEMBLY INSTRUCTIONS:



T-34/85 : Czecho. Army

HISTORICAL BACKGROUND

The Adolf Hitler's invasion for the East was started in June, 1941. Against this invasion, Russian tank T-34 was used, at first, in ones or twos only for supporting infantry or light tanks. At this stage, superior German tactics enabled them to hold their own against the T-34. However, from the Battle of Borodino onwards (October 1941), T-34 was employed more and more in mass attacks and there, T-34 had rendered German tanks, tank guns and most anti-tank guns by overwhelming superiority. Slanted armor, all round, high speed and a gun of higher calibre than anything the Germans possessed at the time, frightened the Germans completely. Its simple design enabled it to be produced quickly in its thousands and in fact, at one stage of the Battle of Stalingrad, T-34 were driven directly to the front immediately after assembly. Entered in December, 1943, the improved version "T-34/85" was took into service against German PzKpfw V Panther and VI Tiger. This T-34/85, a larger turret accommodating three men and mounted a hard-hitting 85mm cannon in place of the earlier 76.2mm was become standard equipment after that in the Communist armies. The American forces also encountered with T-34/85 at the North Korean in 1950. It is still in service with some armies behind the Iron Curtain and is also employed by the U.A.R. (United Arab Rep.). However, at the battle of June 1967, it was

mishandled by poor quality and ill-led Egyptian crews it was no match for the Israeli Shermans and Centurions.

SPECIFICATION FOR T-34/85 (VOLGA)

Dimensions :	
Total loading weight	34.4 tons
Length overall	8.08m (26ft. 8 $\frac{1}{2}$ in)
Width overall	3.00m (9ft. 10 $\frac{3}{8}$ in)
Height	2.75m (9ft. 8 $\frac{1}{2}$ in)
Track-contact length	4.00m (13ft. 2 $\frac{1}{2}$ in)
Ground clearance	0.38m (1ft. 3 in)
Width of track	0.51m (1ft. 8 $\frac{1}{2}$ in)
Power plant :	
Engine	Type V2 60 V-12 cylinder, Diesel, Water-cooled, Capacity 38.9 liters.
Performance :	
Maximum speed	50km/h (31.2 M. P. H.)
Trench crossing ability	3.20 m (10ft. 6 $\frac{3}{8}$ in)
Clim ability	1.22 m (4ft. 8 $\frac{1}{8}$ in)
Armament :	
Main cannon	1×85mm, Model M-1944, 60rds.
Machine gun	1×7.62 DT, MG mounted coaxially, 2,745 rds.
Armour :	
Turret	20-95mm (0.8in-3.8 in)
Body	20-47mm (0.8in-1.88in)



German Tank : PzKpfw V



Russian Tank : T34/85

Painting reference for Russian Tanks of world war II
At the eastern front, the basic color tone was systematically green.

Moss-Green which is called dull green was used at the early stage but olive-drab was also seen a few.

There were tanks also painted brown but its color categories were extend from light khaki to dark-earth.

During the crucial Battle for Stalingrad, T-34/85 were driven directly to the front immediately after assembly without paint.

So, there were tanks which looked rust-iron. Entered 1945, very dark colored green was become standard but moss-green or olive-drab were also used continuously.

In the winter, these tanks were painted white but look on a gray tone from the dirt and when the weather thawed, its under body looked brown from the mud.

Details : the barrel of gun iron-black
spare caterpillar iron-black
rim flat-black

Color Scheme :

Moss green = green + white + neutral grey

Olive-drab

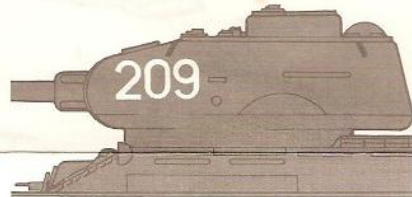
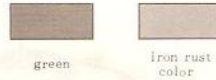
Khaki

Dark-earth

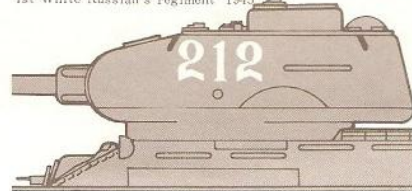
Dark-green = black-green + khaki-green

Iron rust = mahogany + brown

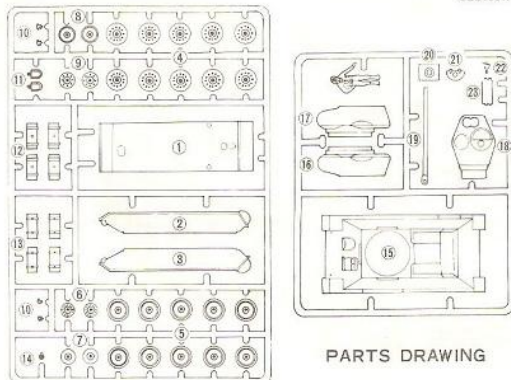
Camouflage for winter = flat-white + black



1st White Russian's regiment 1945



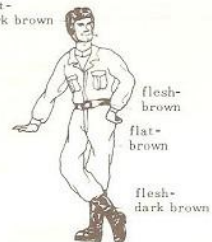
T-34/85 which captured by German at eastern front.



PARTS DRAWING

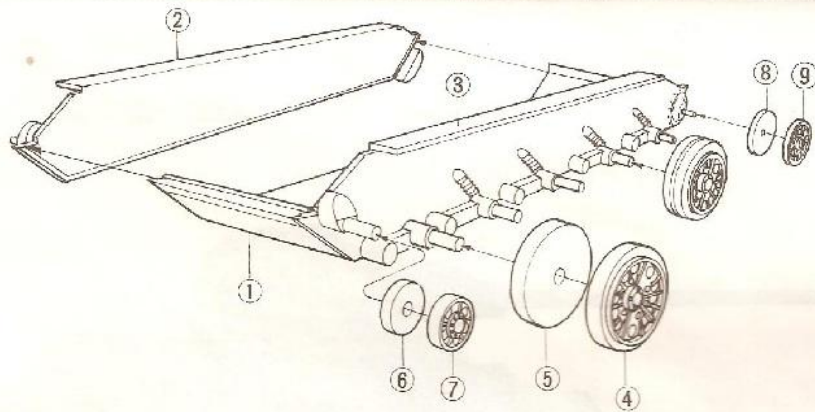
caterpillar

flat-dark brown

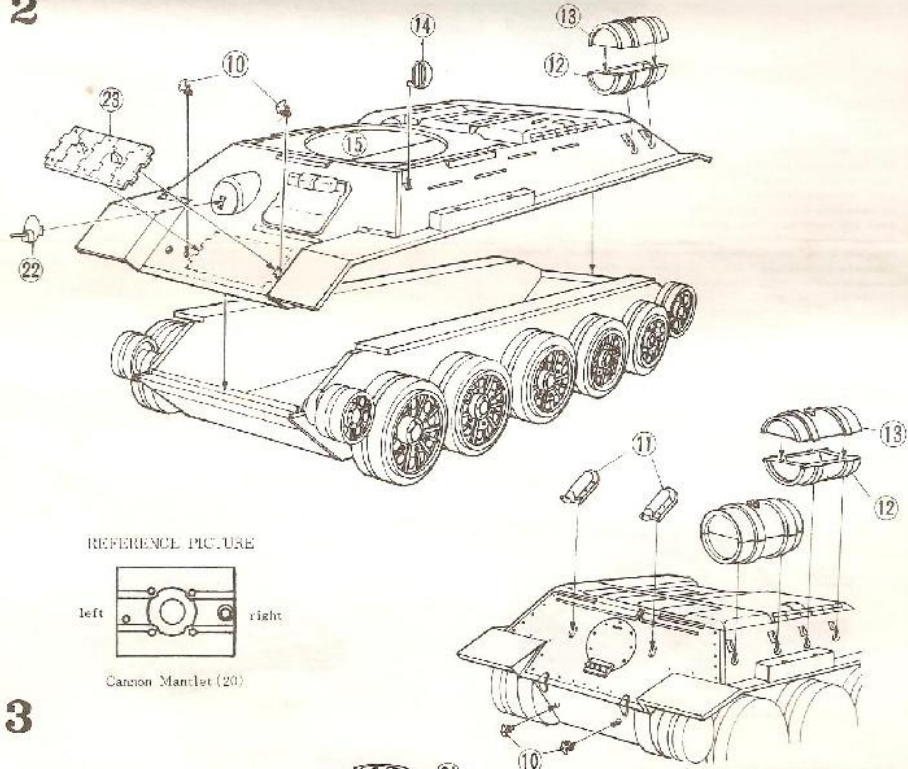


Painting reference for Tank man.

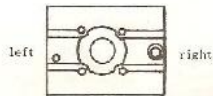
1



2

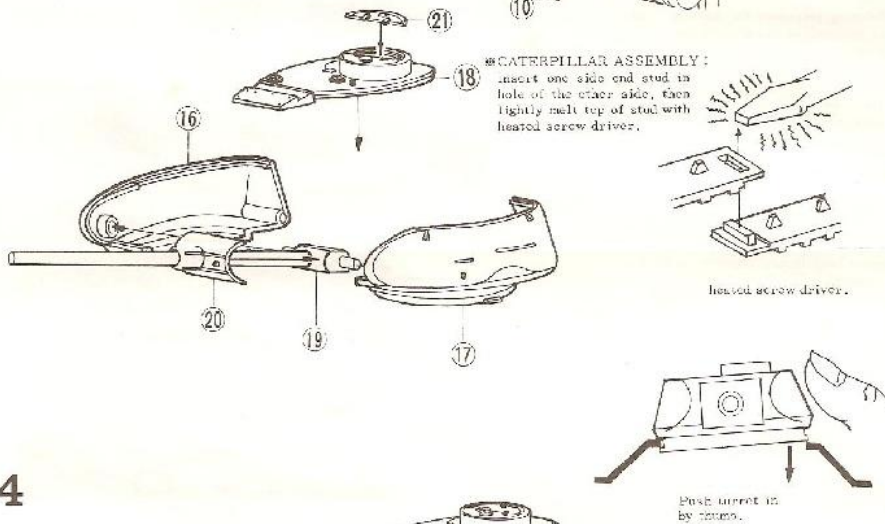


REFERENCE PICTURE



Cannon Mantlet (20)

3



4

