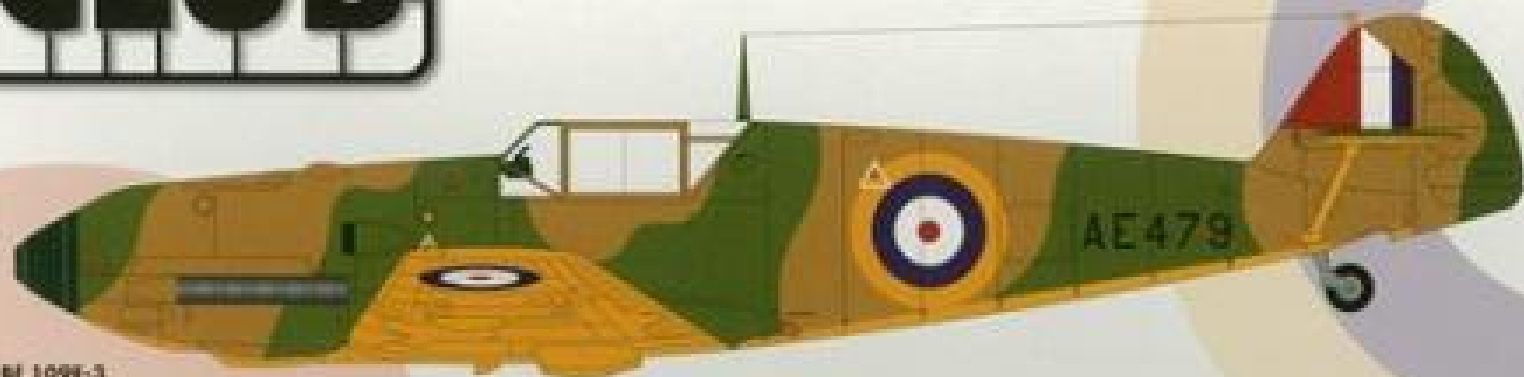




LIMITED EDITION



MESSERSCHMITT Bf 109E-3

Aircraft famously flown by test-pilot Sergeant Kurt Hanel, VJ0370, captured at the Airdrome and Aircraft Experimental Establishment, Boscombe Down, England, 1943.



MESSERSCHMITT Bf 109E-7

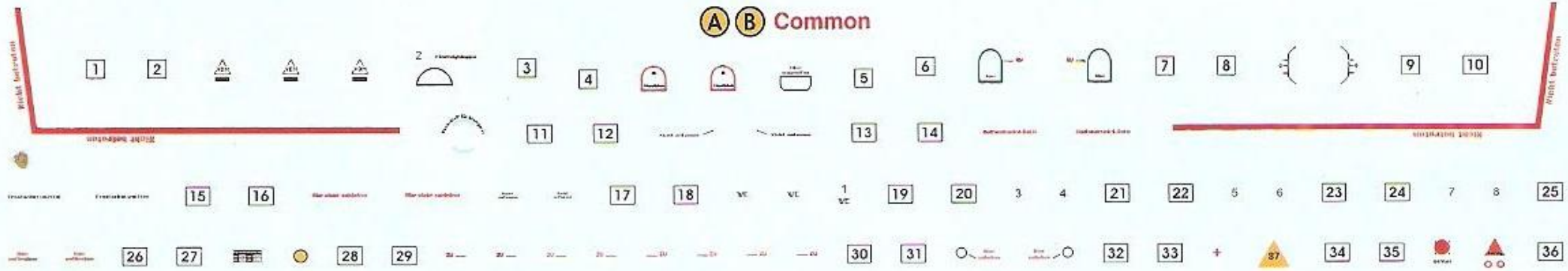
Evaluated by the Imperial Japanese Army Air Force, 1941.

Contains 1 kit with 2 decal options

1:48 MESSERSCHMITT Bf 109E-3 / E-7

A82012 MODEL KIT - MAQUETTE A MONTER - MODELLBAUSATZ - MODELLO A SCALA - BOMKIMODEL - MAQUETA PARA MONTAR - PLASTRYGOSATS - RAKENKUSSARIA - MODELO PARA CONSTRUIR - MODELBYGGESÆT - ДИНАМОНОГОУВНЕНО МОНТАЖ

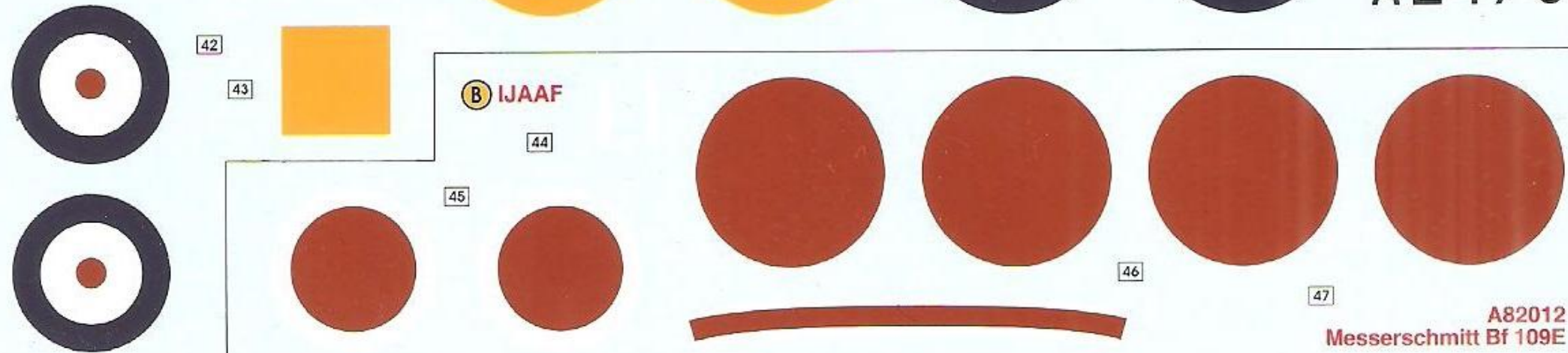
(A) (B) Common



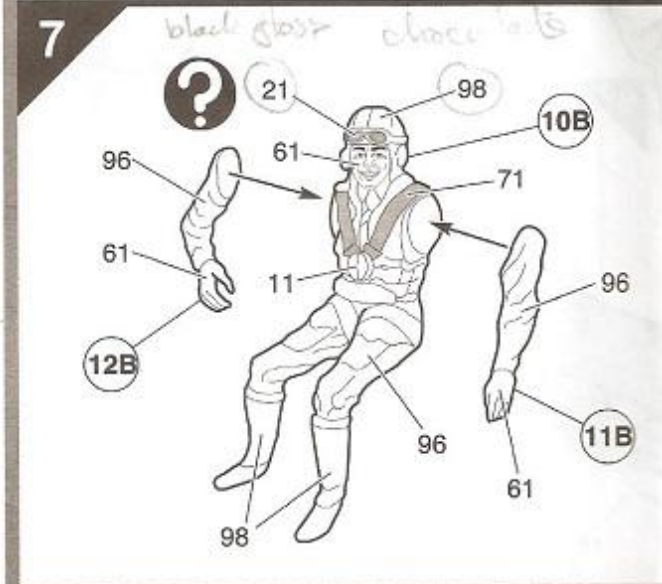
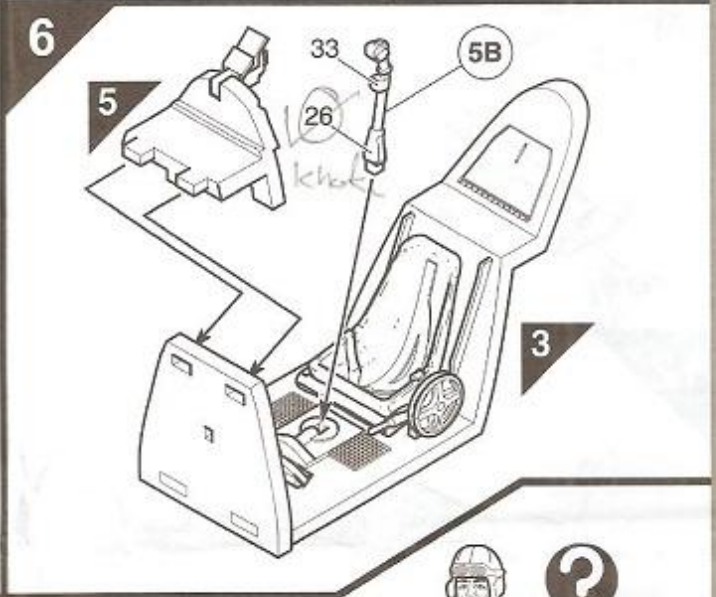
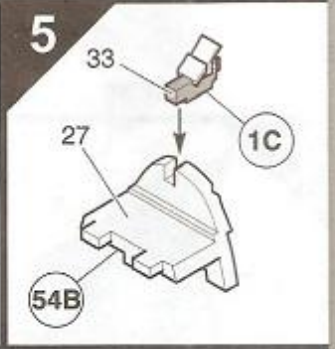
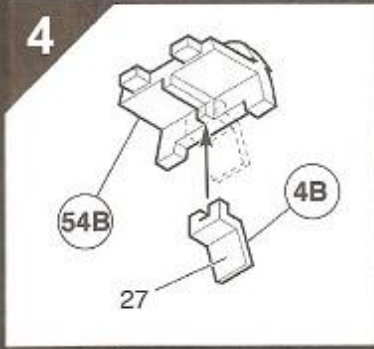
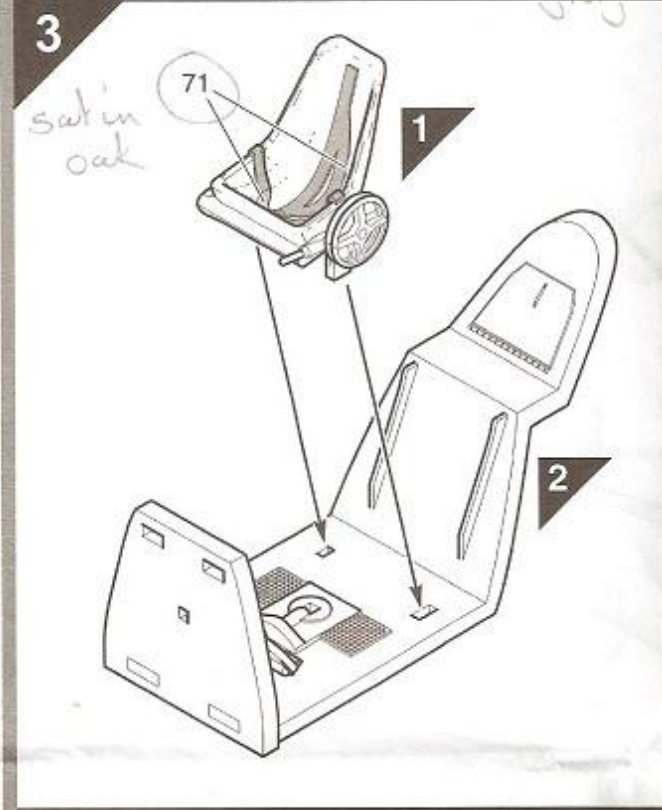
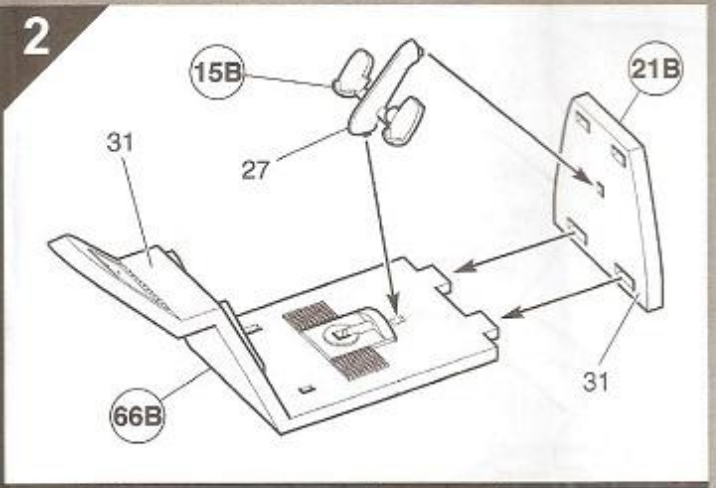
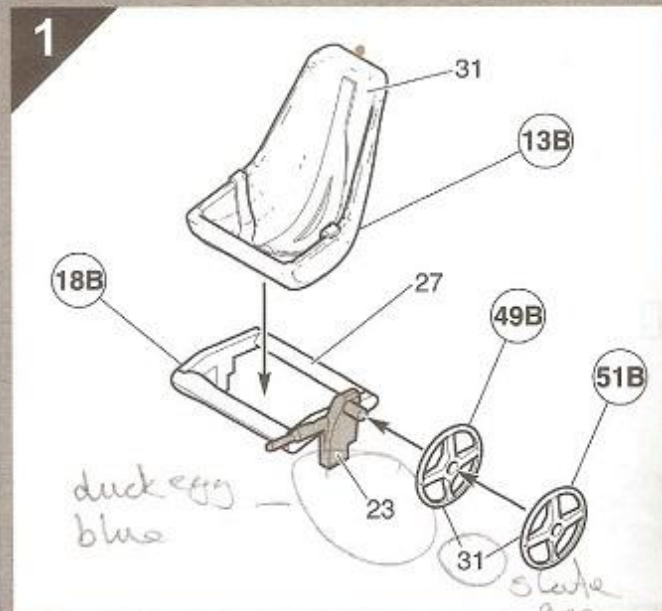
(A) A&EE

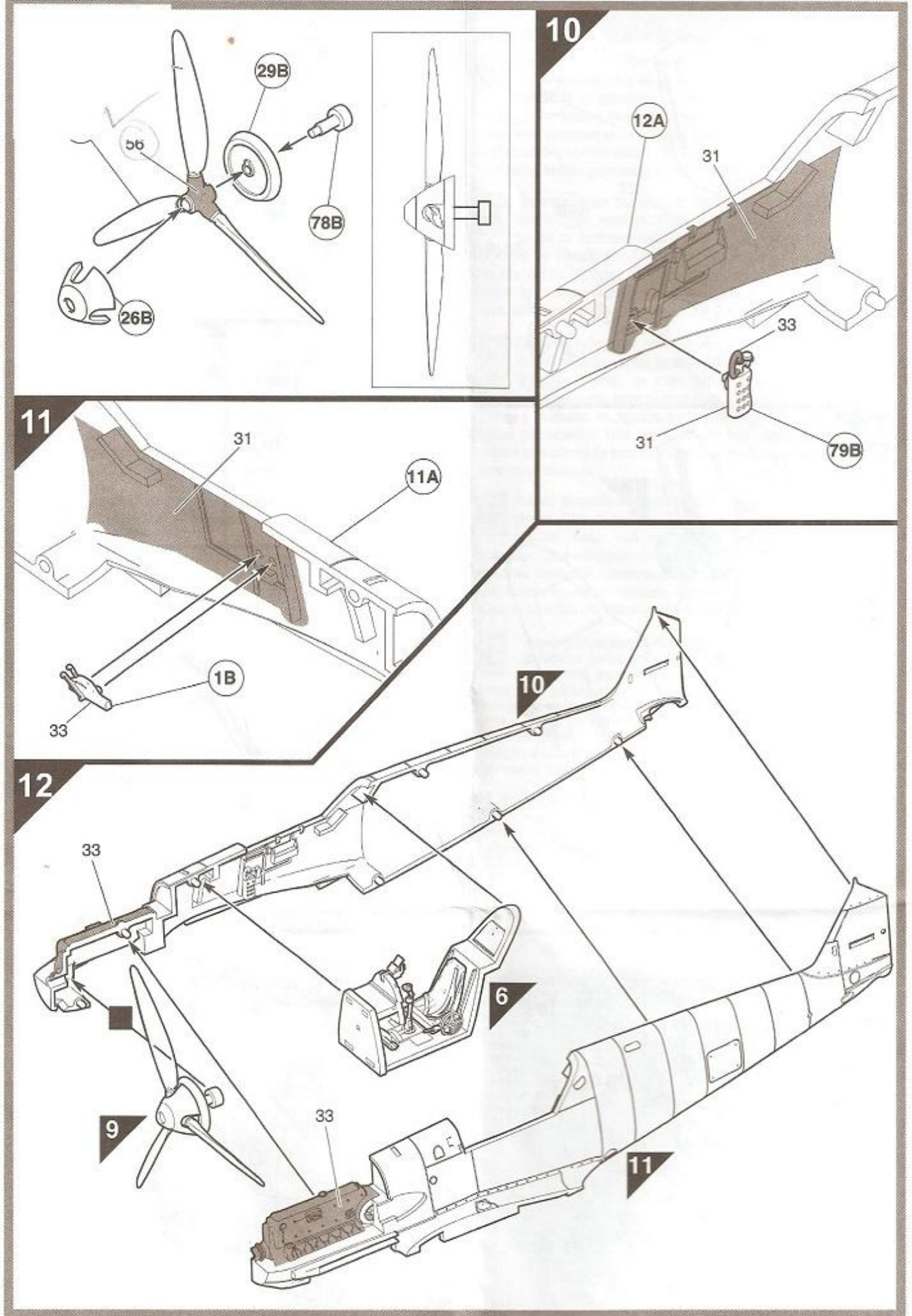


(B) IJAAF

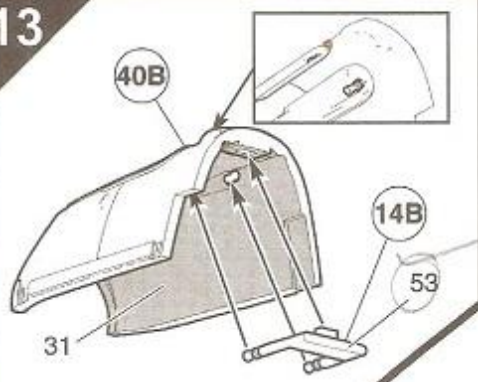


A82012
Messerschmitt Bf 109E

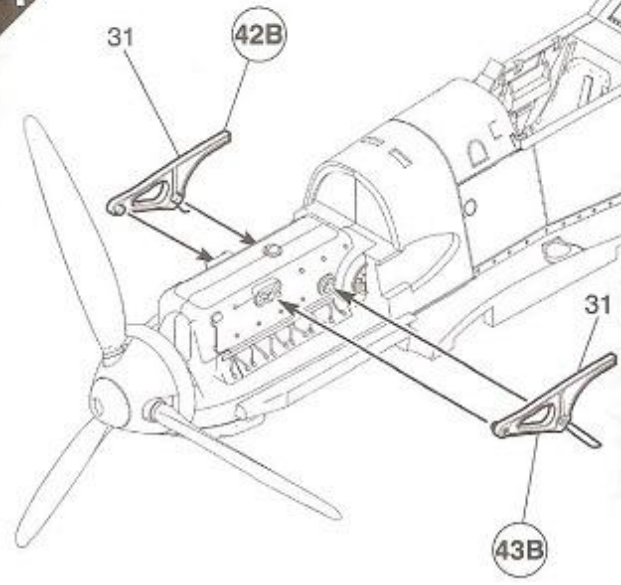




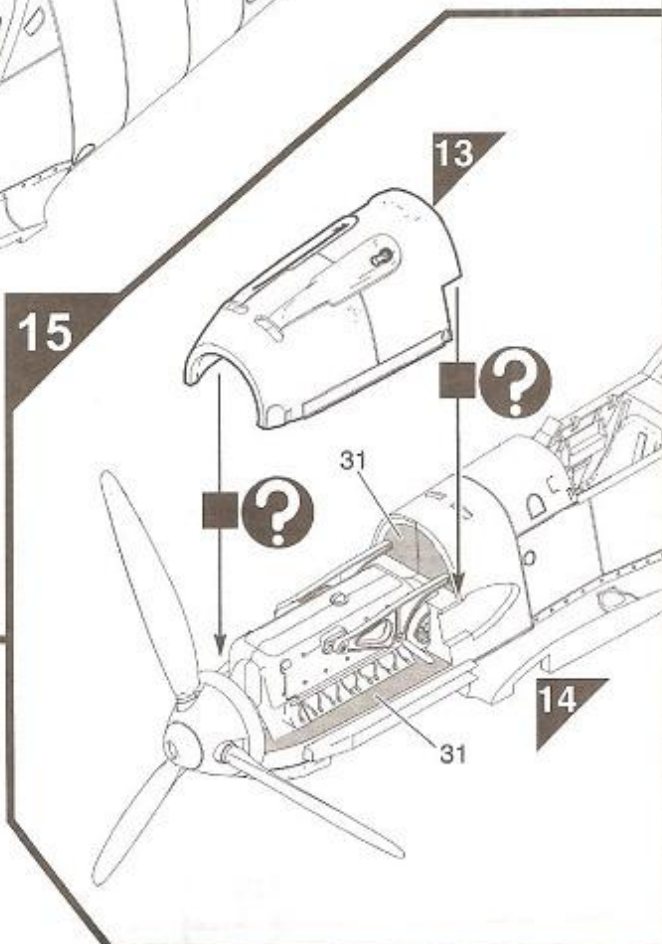
13



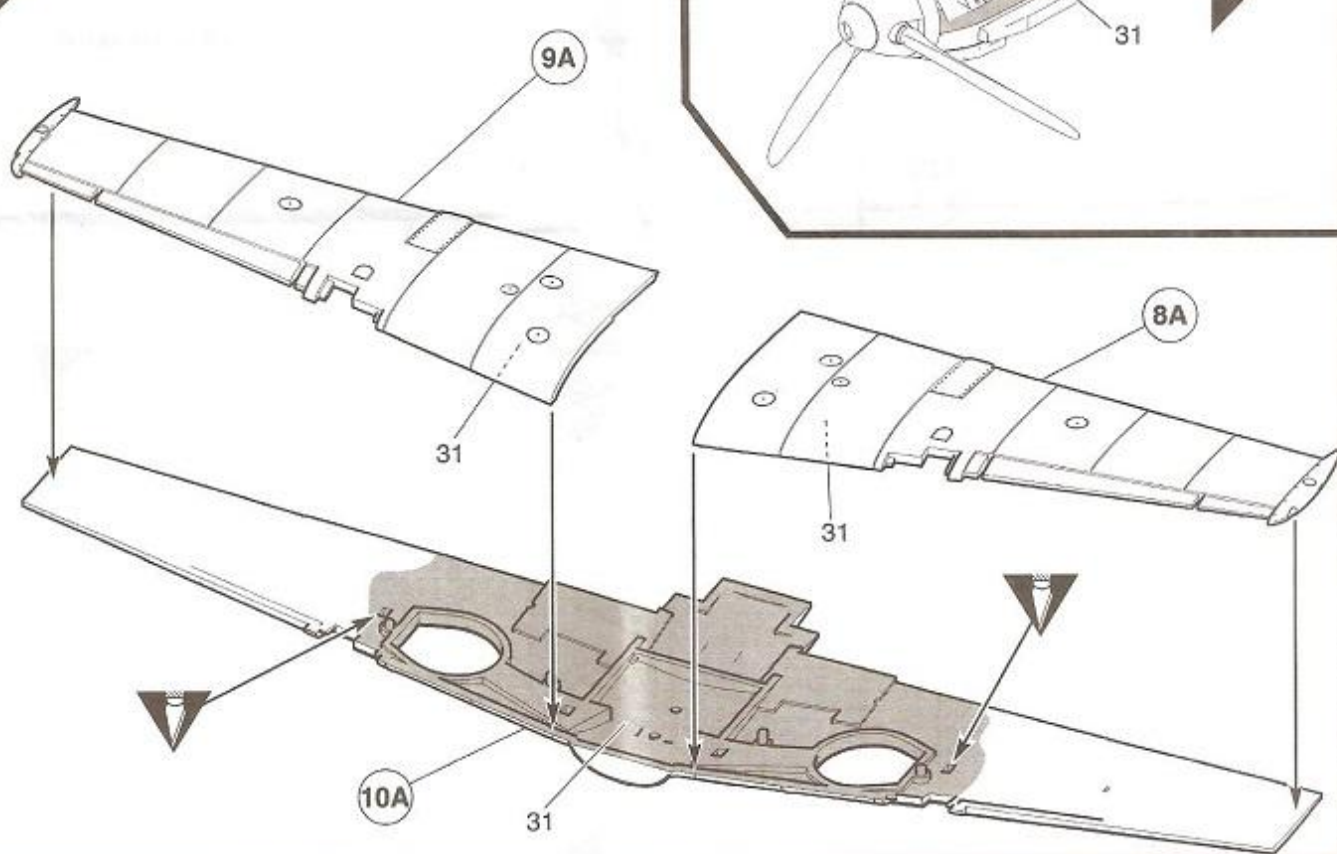
14



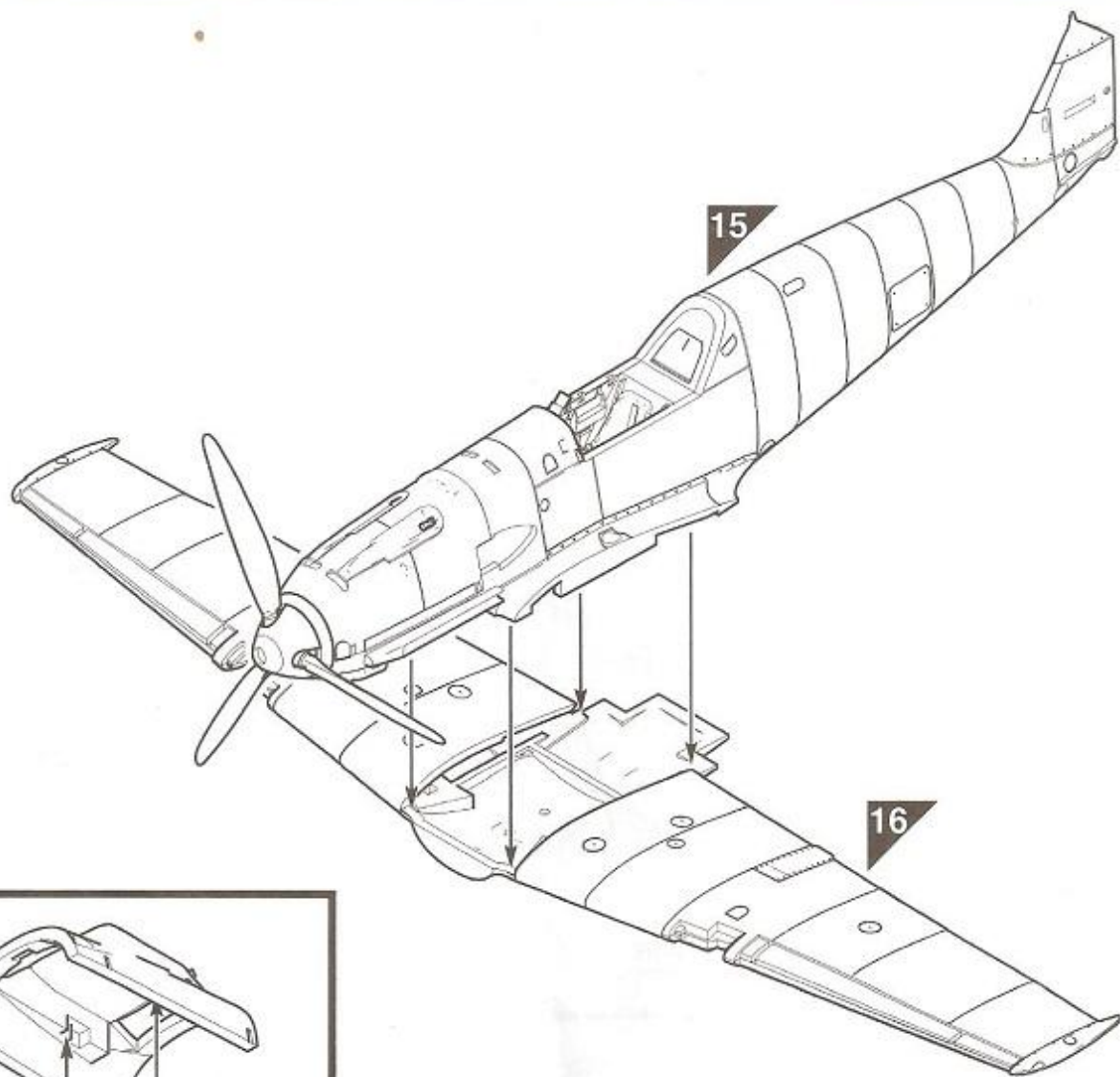
15



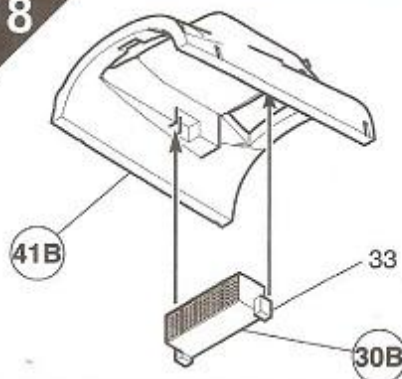
16



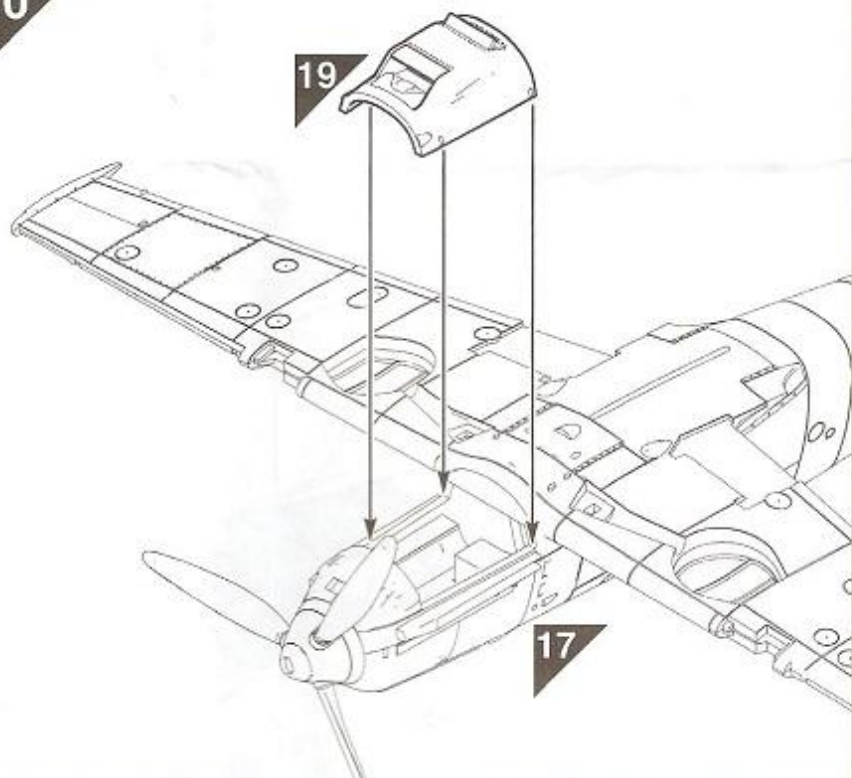
17



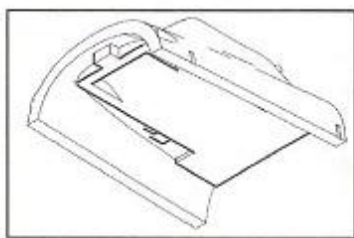
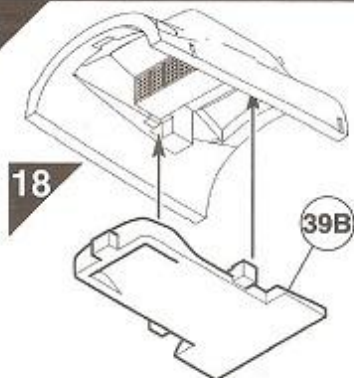
18



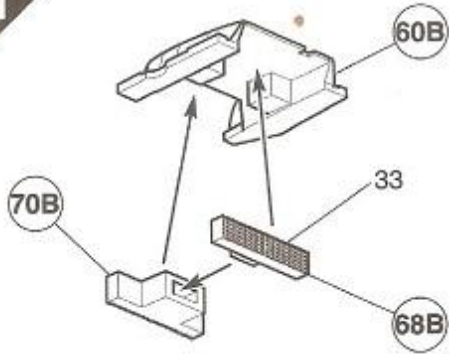
20



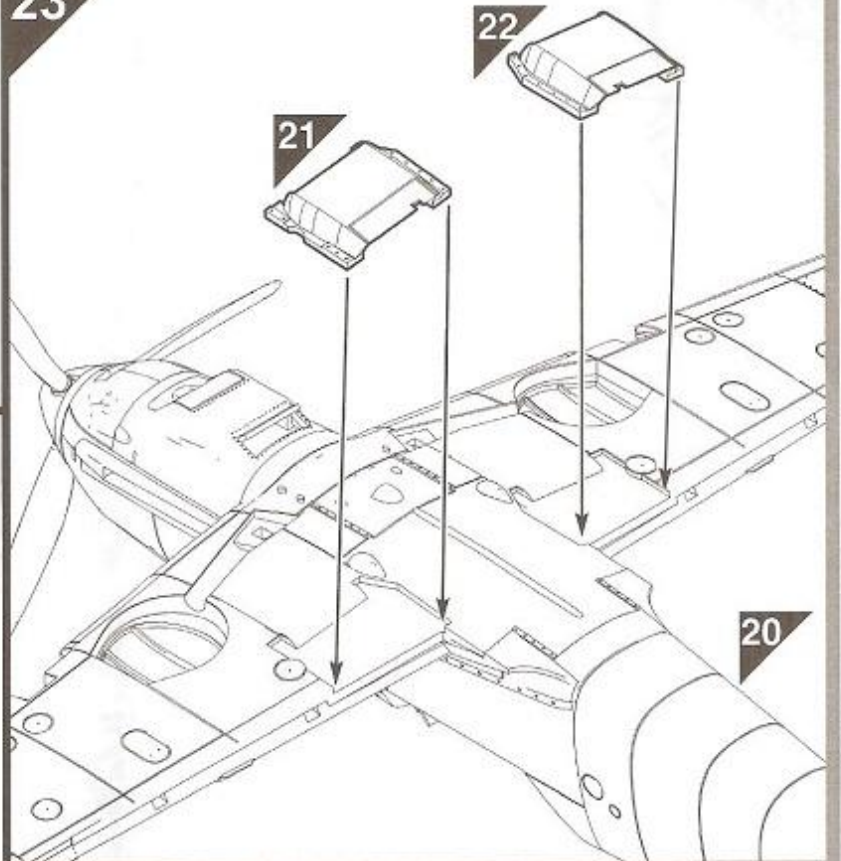
19



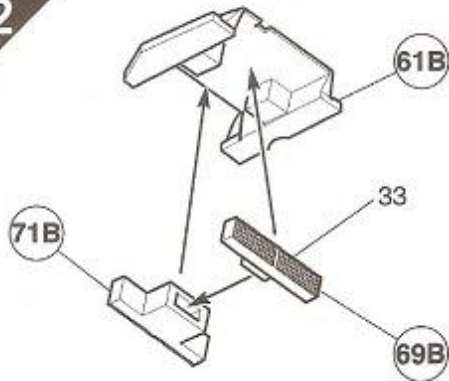
21



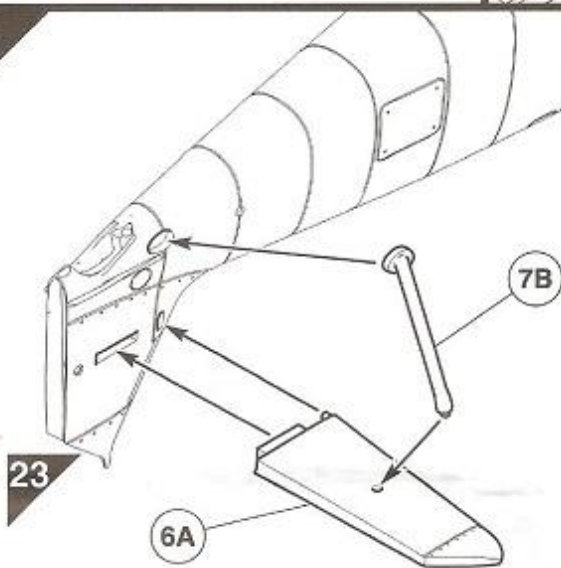
23



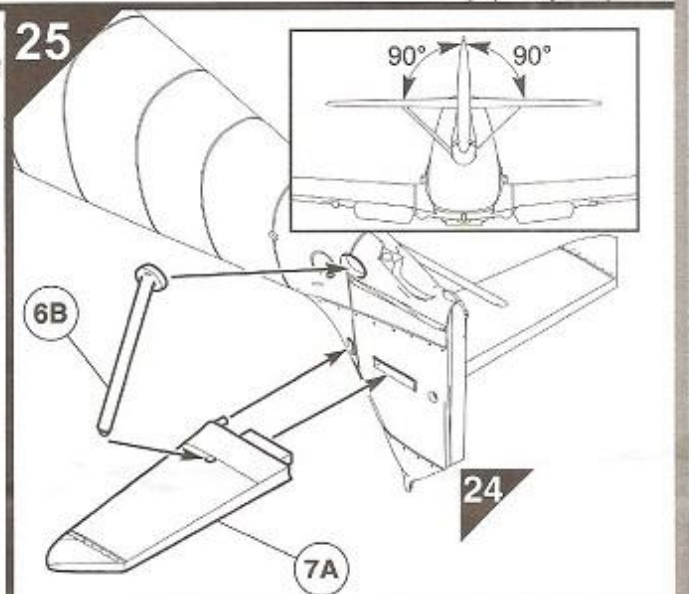
22



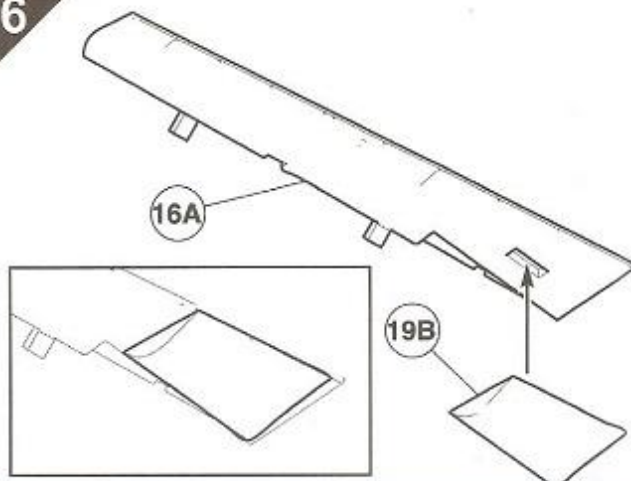
24



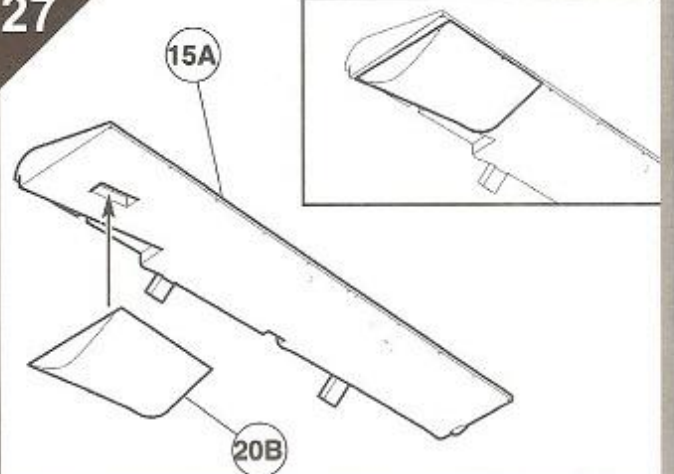
25



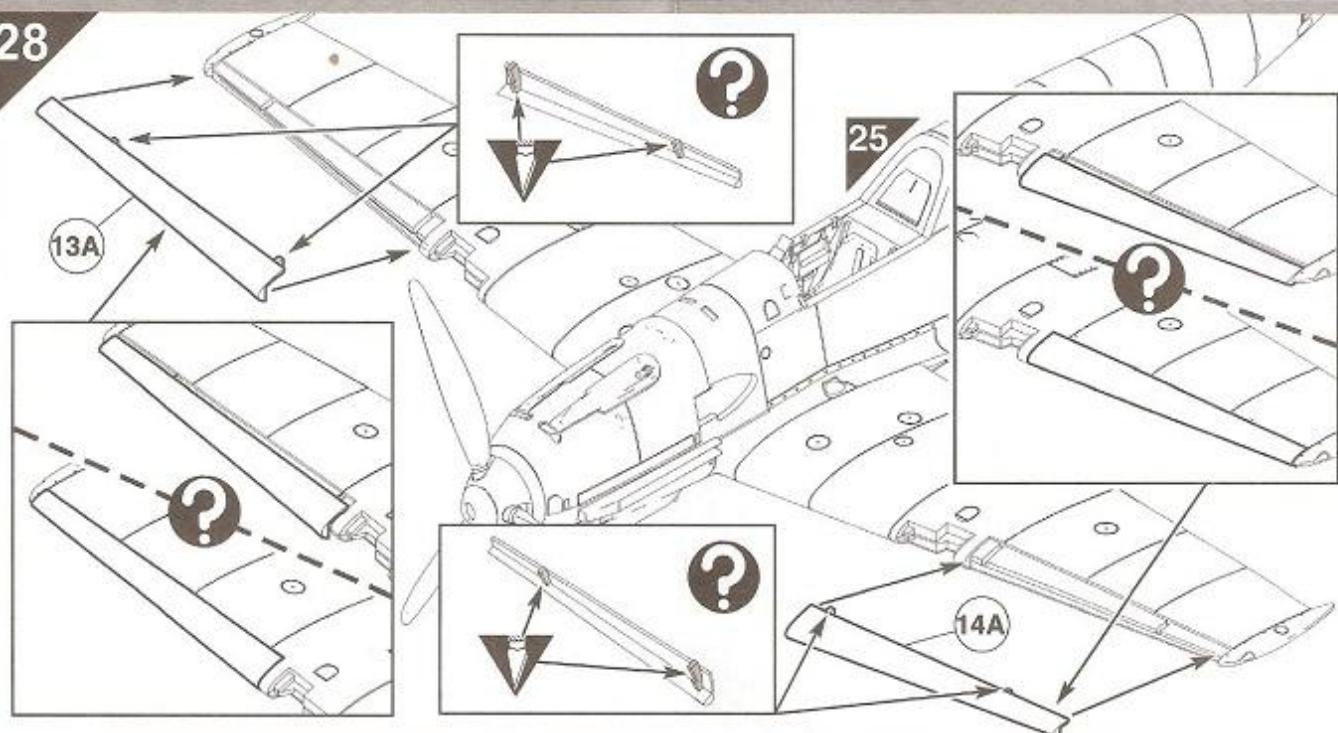
26



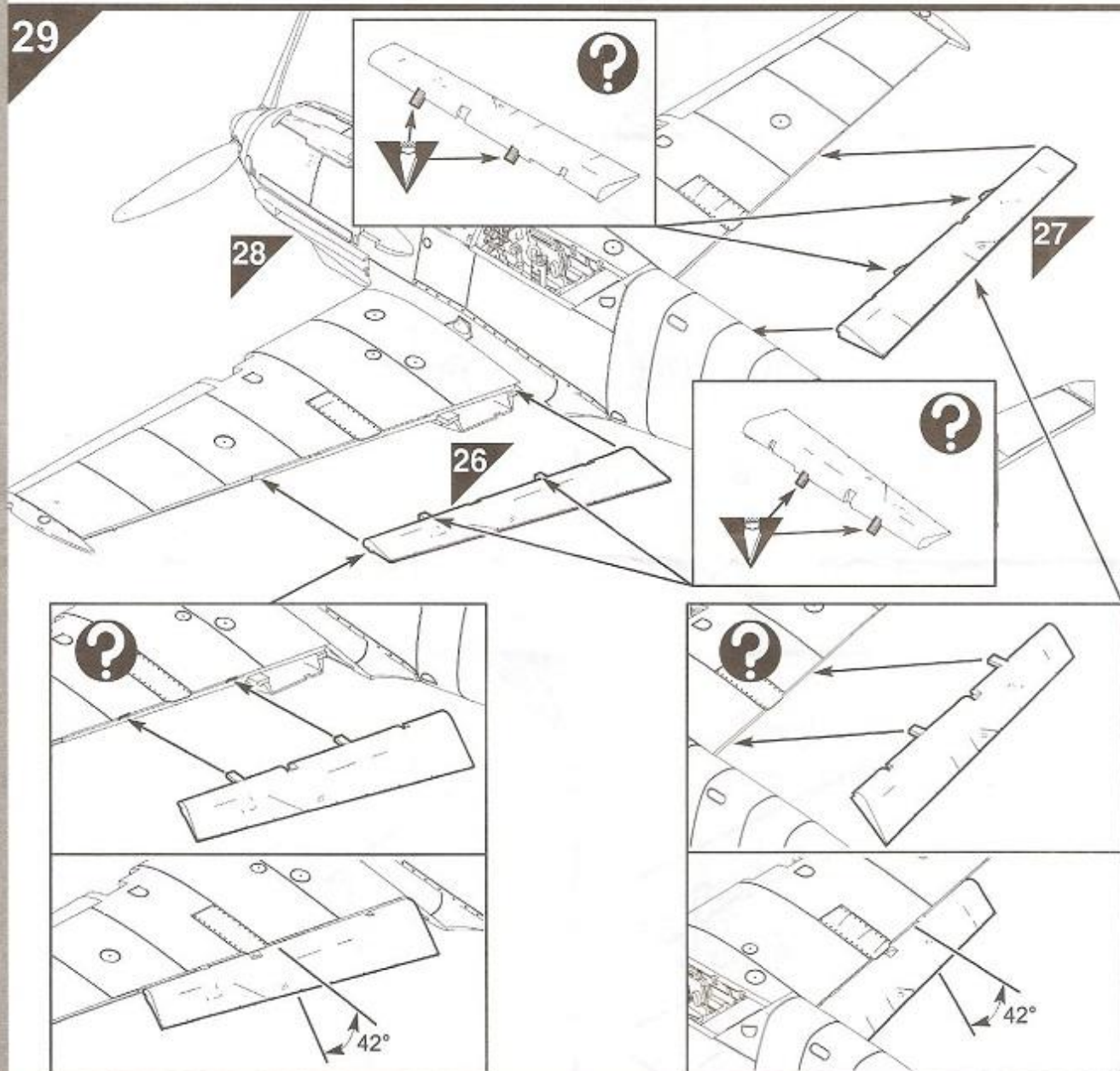
27

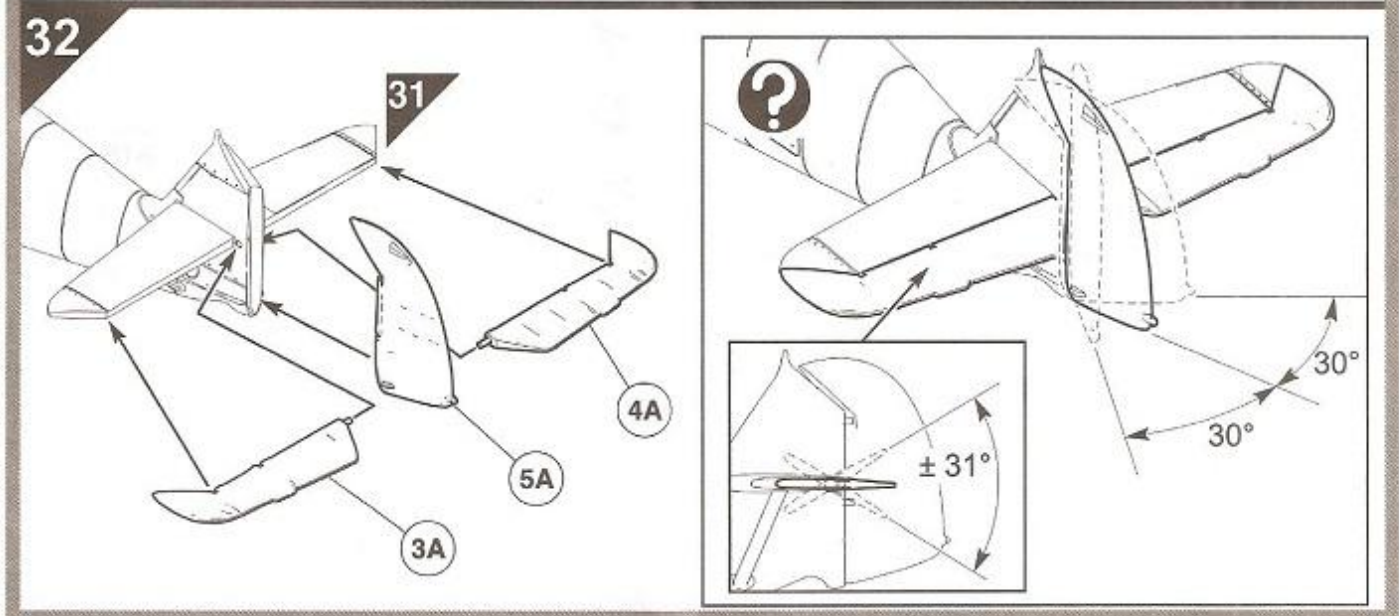
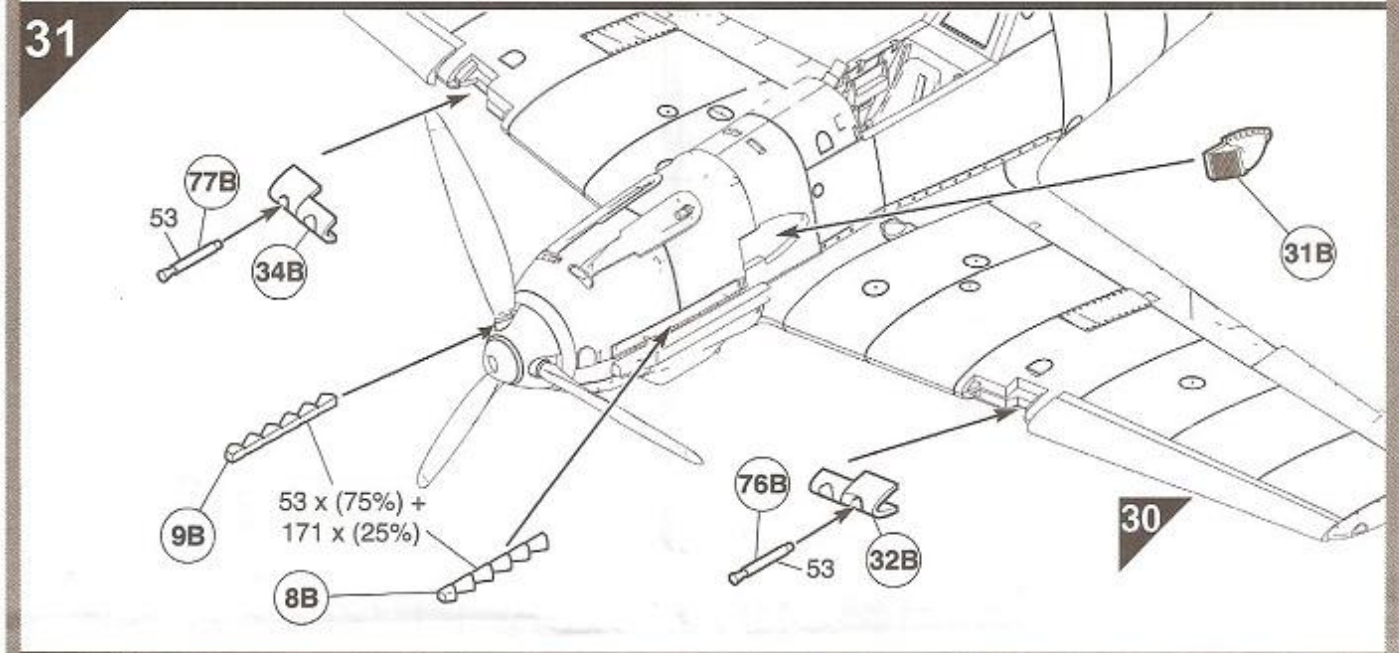
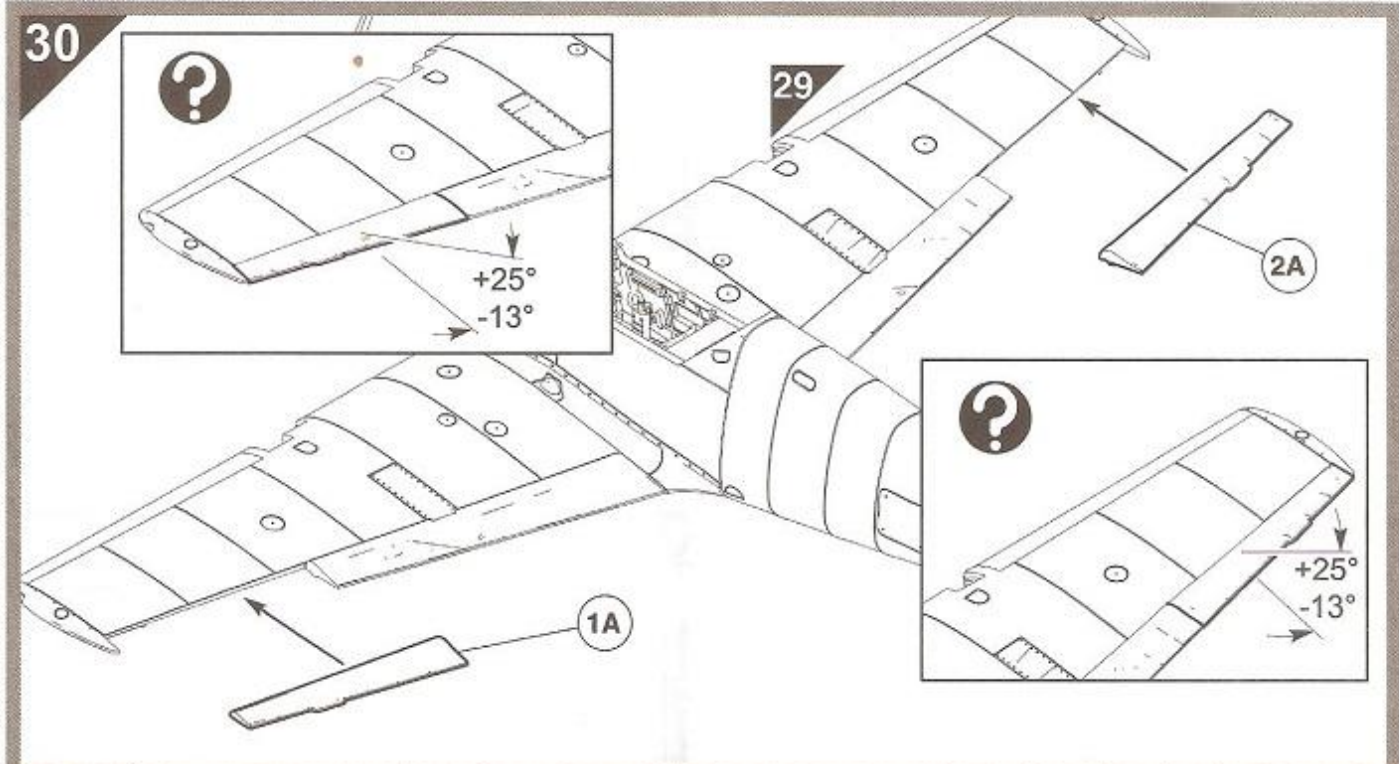


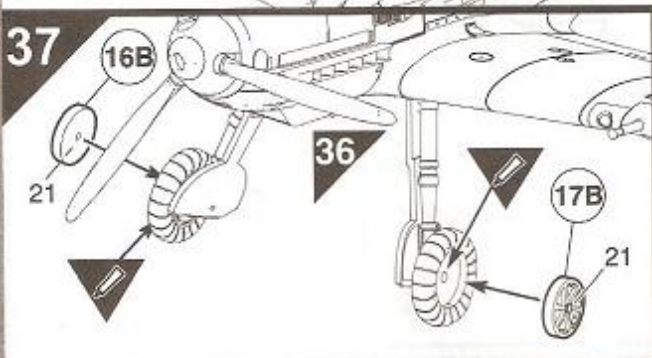
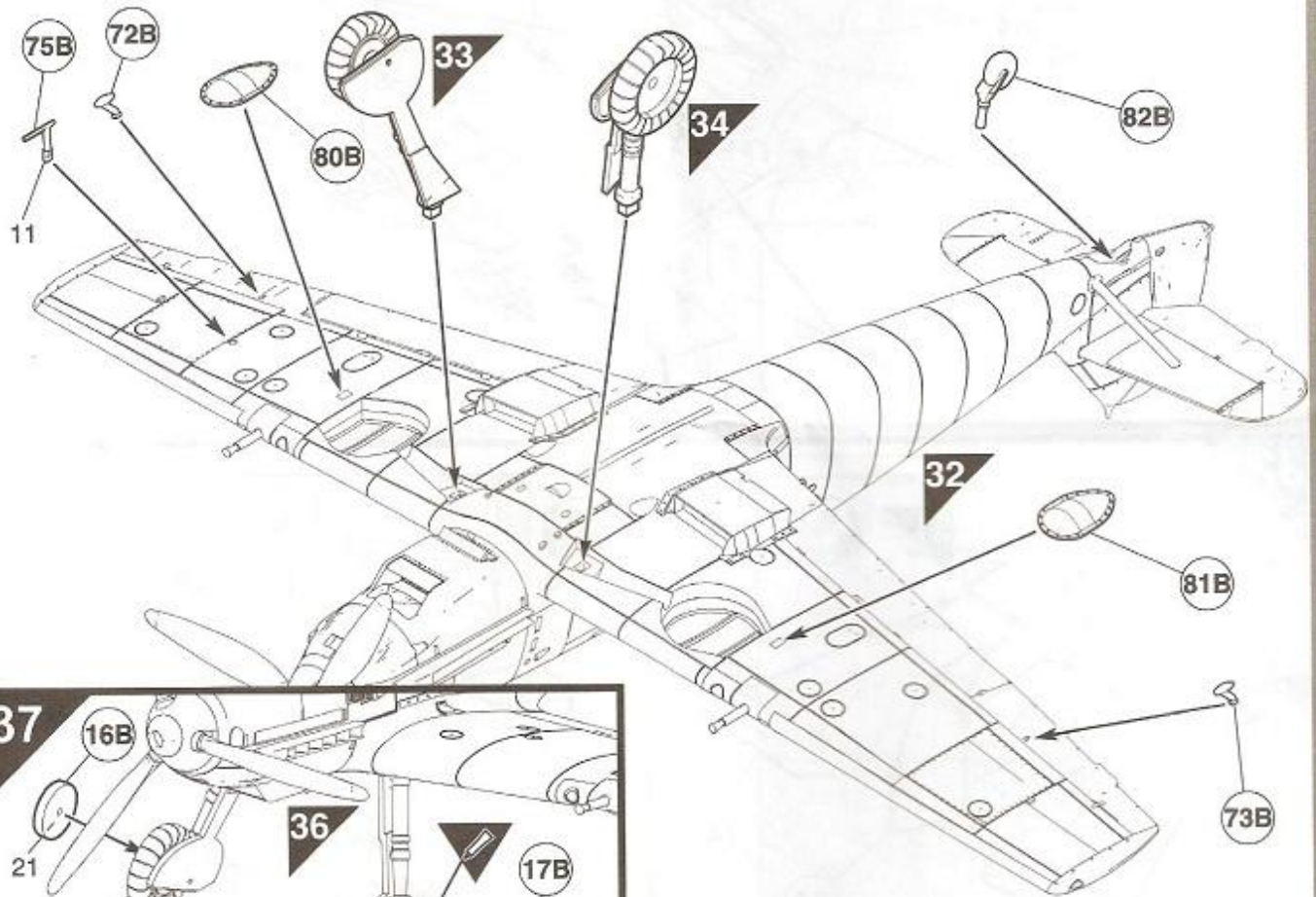
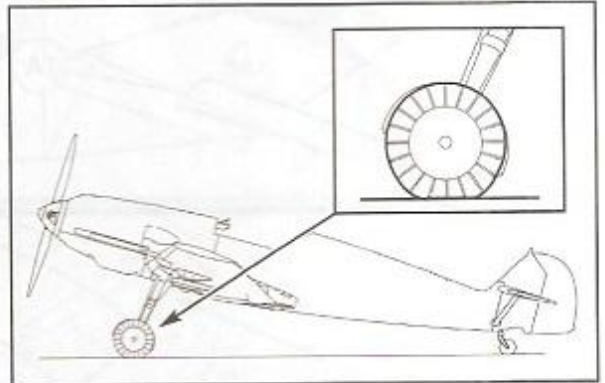
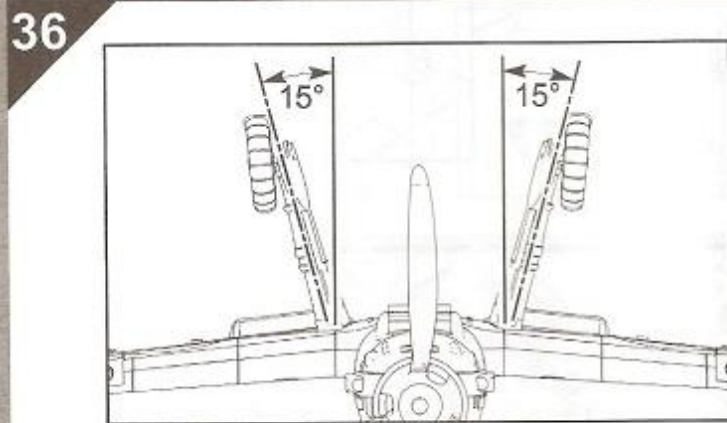
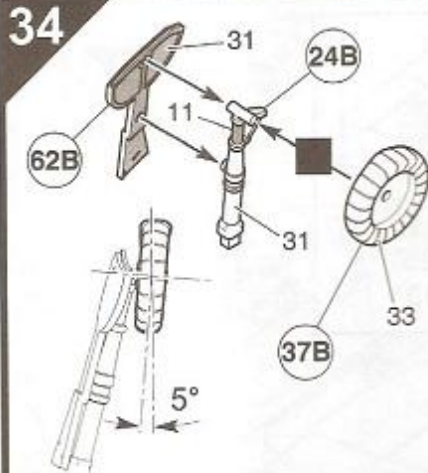
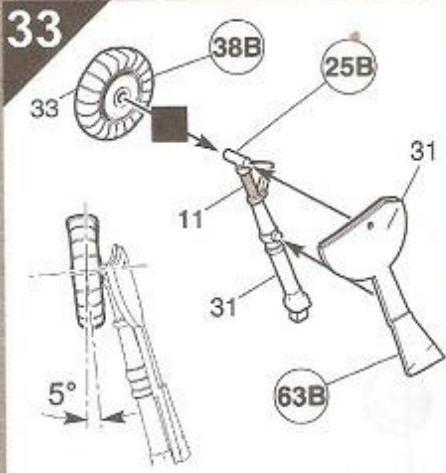
28



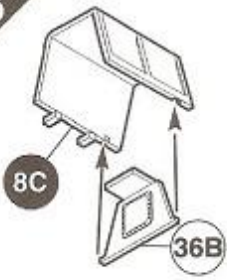
29



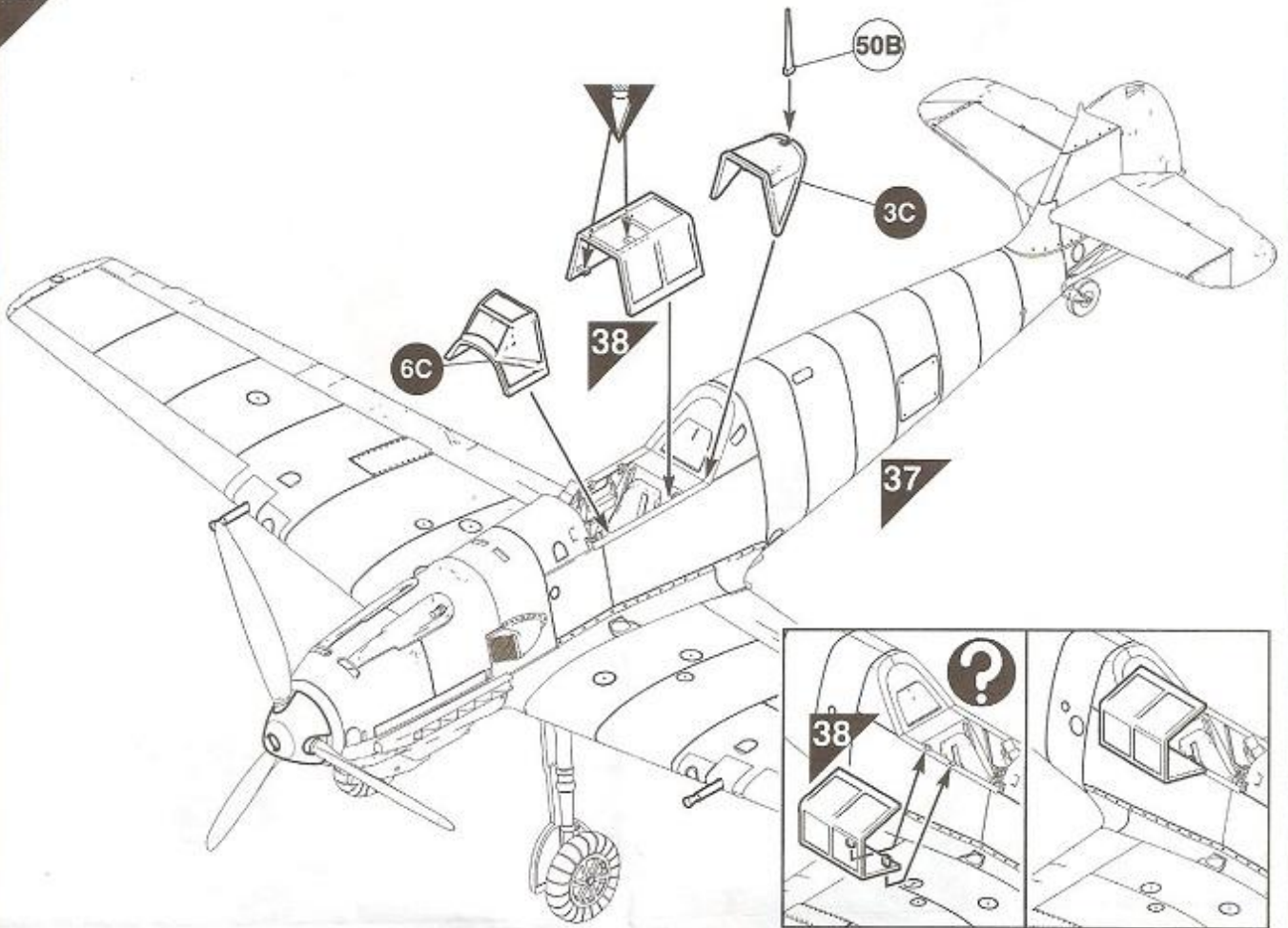




38

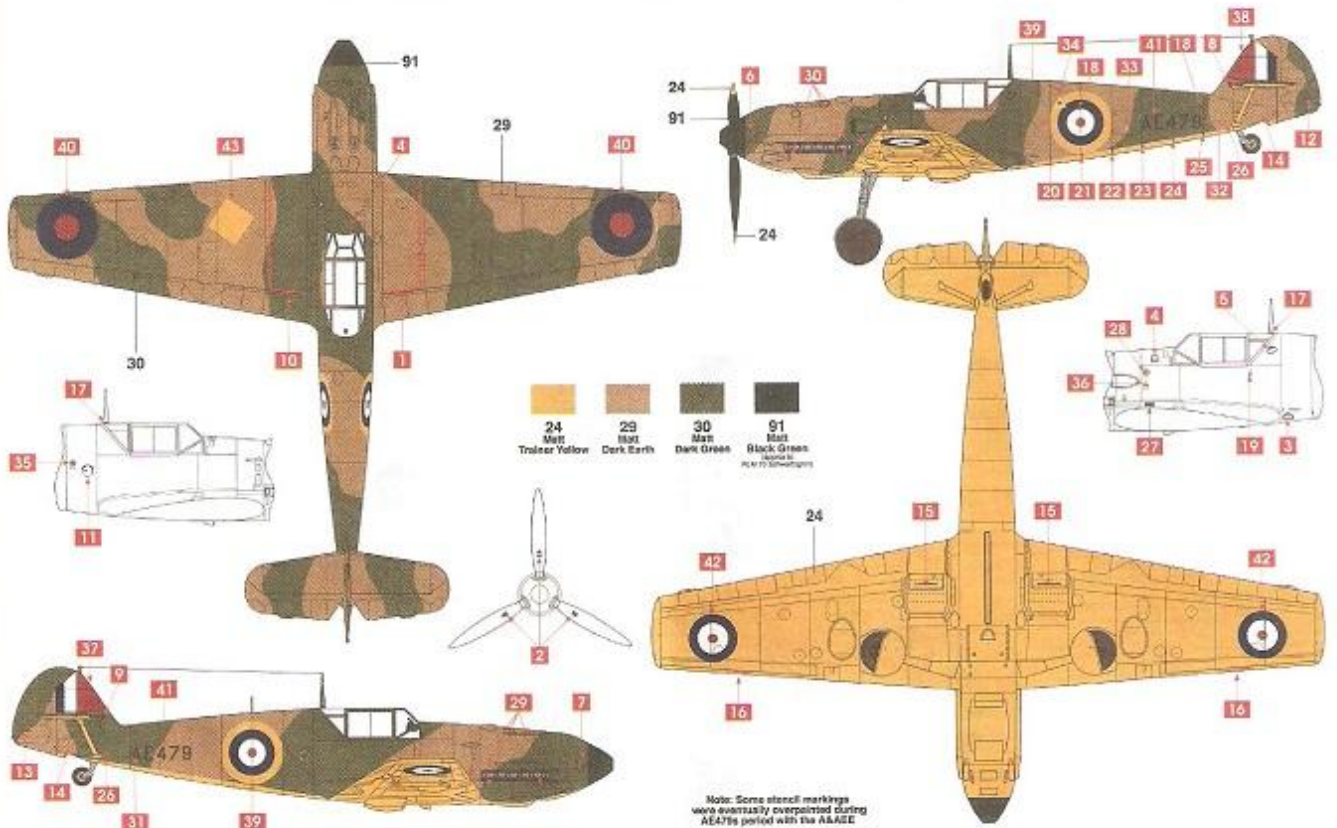


39



Ⓐ Messerschmitt Bf 109E-3 (Werk Nr.1304)

Aircraft formerly flown by Feldwebel (Sergeant) Karl Hier, I/JG76, evaluated by No. 1426 Flight, Royal Air Force, Aircraft and Armament Experimental Establishment, Boscombe Down, England, 1941.



Ⓑ Messerschmitt Bf 109E-7

Evaluated by the Imperial Japanese Army Air Force, 1941.

? Stear grey or use 23 +5% white + 5% black

