

Nebelkraftwagen

Sd.Kfz.11/4



德國特種動力機械車輛第11/4型

Sd.Kfz.11/4

Being far less accurate than traditional cannon, artillery rocket launcher was not highly evaluated by the German Army in the beginning of WWII. However, they had later come to appreciate rocket launchers due to various reasons. Primarily, they could be manufactured with relatively simple procedure as well as lower cost comparing to conventional cannon. It also served as an answer to the Russian's utilization of "Katjusha" rocket launcher, which was able to project great amount of firepower onto target area under a relatively short period of time.

Originally termed "smoke launcher" to conceal its real identity from the enemy, the 15cm NbW 41 rocket launcher first saw action in 1941. It was able to launch solid fuel powered cannons shells, smoke shells, as well as chemical shells, filling the gap which traditional artillery was not able to cover.

The German Army utilized the Sd.Kfz.11, which was originally designed as a carrier for mid-size or small cannons and rocket launchers, as the platform of Sd.Kfz.11/4. The layout arrangement of Sd.Kfz.11/4 remained pretty much the same as that of Sd.Kfz.11, which was consisted of driver's cabin, ammunition cabins, as well as a personnel cabin capable of accommodating up to 4 personnels. To accommodate longer rocket shells, however, the ammunition cabins on both sides were connected, resulting an increase on the vehicle's width.

In the early days of the war, Sd.Kfz.11/4 was adapted in a similar role to Sd.Kfz.11/1, mainly served in towing 10cm mortars. But later on it was extensively adapted for carrying rockets and towing 15cm NbW 41, 21cm NbW 42, as well as 28/32cm NbW41 rocket launchers.

Sd. Kfz11/4

通常の火砲に比べると著しく命中精度の劣っていたロケット砲について、第2次大戦が始まった時点では、ドイツ陸軍はほとんどその価値を認めてはいませんでした。しかし比較的簡単な工程と安いコストで生産できることや、対ソ戦の開始とともに、ソ連軍のカチューシャロケットが目標に対し短時間に凄まじい火力を発揮するのを目の当たりにすると、その真価を認めざるを得ませんでした。その存在を秘匿するために、「発煙装置」という名称を付けられた15cmNbW41は、1941年に登場します。

ドイツ軍は、中小口径砲やロケット砲を牽引するために設計したSd. Kfz11・3トンハーフトラックを利用して、ロケット弾運搬用車輛、Sd. Kfz11/4を開発しました。運転台、弾薬収納キャビン、要員乗車キャビン等、Sd. Kfz11/4のレイアウトは3トンハーフトラックとほとんど変わりませんでしたが、長いタイプのロケット弾を収納するために、弾薬収納キャビンの幅が広げられています。

Sd. Kfz. 11/4 Nebelkraftwagen

二次大戰初期,由於砲兵火箭的精準度無法與傳統火砲相提並論,因此在德軍部隊中並不重視對砲兵火箭在戰場上的運用,但隨著戰事的推移逐漸改變了這種觀念,其中的一個原因在於當時德國工業的生產力無法提供戰場上足夠數量的榴彈砲,而砲兵火箭相較於榴彈砲而言是成本低廉且易於製造的,另一個原因就是德軍在戰場上遭遇了蘇聯的"卡秋榭"火箭,並為其能在短時間內對目標區投射大量火力而感到震驚。

隨著觀念的改變,1941年首先登場的是15cm NbW 41火箭發射器,能夠發射具有固體燃料引擎的榴彈、煙幕彈及化學彈頭,為了保密的理由15cm NbW 41最初被稱為煙幕彈發射器,在戰場上填補了一般火砲不足的空隙。

為了運載火箭發射器及其彈藥,德國陸軍特別將專司中小型火砲牽引的Sd. Kfz. 11做出修改而成為Sd. Kfz. 11/4, Sd. Kfz. 11/4的車身配置與Sd. Kfz. 11大體上相同,從車身前方算來分別是駕駛室、彈藥庫及可乘坐四人的兵員室,與Sd. Kfz. 11不同的是,為了容納火箭彈較長的彈體,彈藥庫的左右兩側做了貫通,同時寬度做了少許的增加,因而超過了原本車體的寬度,成為Sd. Kfz. 11/4外型上重要的識別特徵。

Sd. Kfz. 11/4在使用之初,部分承擔了Sd. Kfz. 11/1牽引10cm迫擊砲的任務,而後主要用於15cm NbW 41兼及於21cm NbW 42及28/32cm NbW 41型火箭發射器的牽引搭載工作。

Illustration:圖示說明



Method For Applying Decals:

1. Clean Model Surface With Wet Cloth.
2. Cut Out Of Decal Sheet And Dip Them In Water For 15 Seconds.
3. Place it on proper position on model.
4. Slide off base paper leaving decals On Model With Wet Finger Tip.
5. Move Decals To Exact Position, Push Out Excess Water Under Decal With Soft Cotton Cloth.
6. When Decals Get Dry Then Complete.

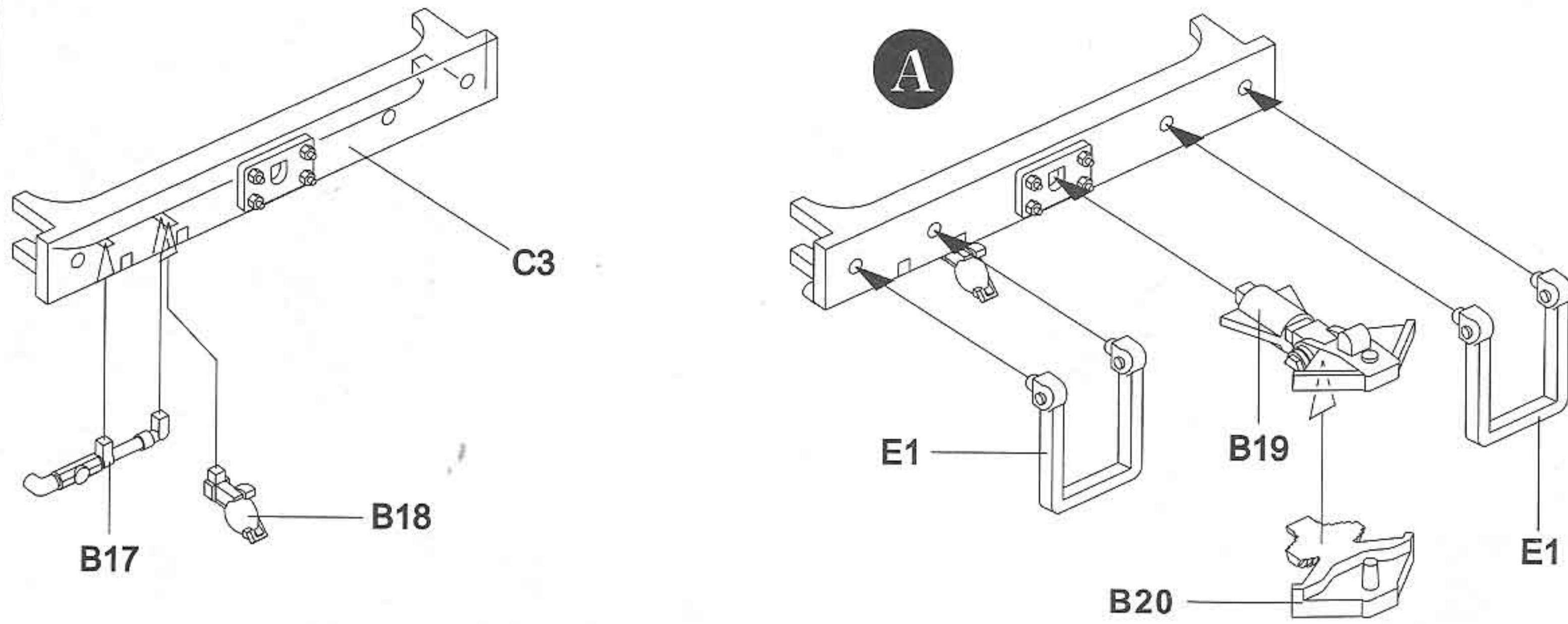
水貼紙使用說明:

1. 將模型表面擦乾淨
2. 將貼紙剪下泡入清水中約15秒
3. 將泡濕之貼紙取出置於欲貼處旁
4. 用指尖輕推貼紙表面使其滑出底紙
5. 將貼紙調整至適當位置並輕擦拭水份
6. 待其自然乾燥後即完成

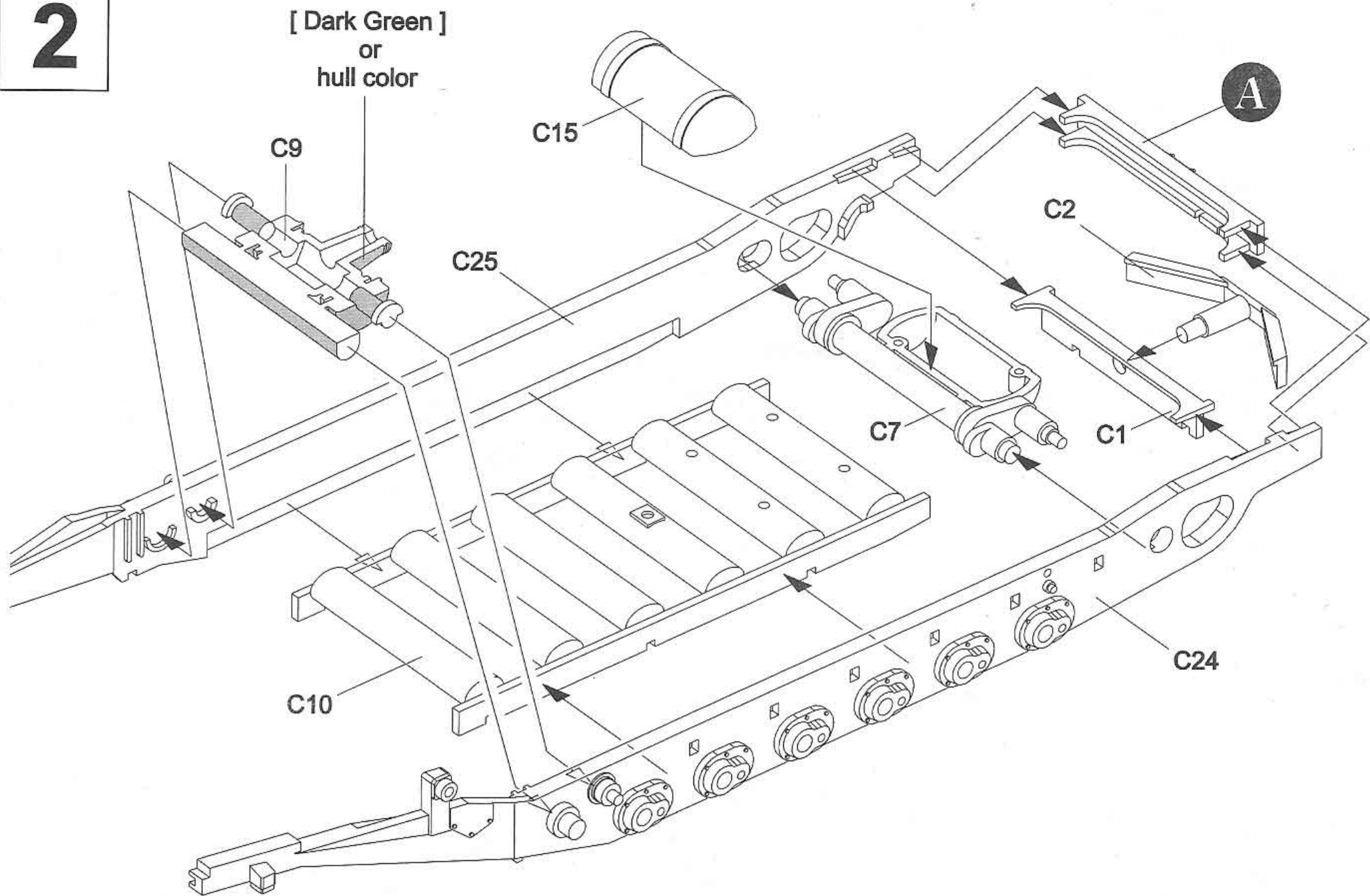
Color list: 塗料表

Color	Brand	GSI Creos (Gunze Sangyo)			Humbrol	Revell	Life Color
		Hobby Color	Mr. Color	Mr. Color Spray			
German gray	德國灰	H-32	C-40	J-40	92	79	UA073
Dark green	深綠		C-70	J-70	149	363	UA083
Dark yellow	深黃	H-79	C-39	J-39	83	16	UA081
Steel	黑鐵	H-18	C-28	J-28	53	91	LC76
Tire black	輪胎黑	H-77	C-137		85	302	LC02
Flat white	消光白	H-11	C-62	J-62	34	05	LC01
Red brown	紅褐	H-47	C-41	J-44	160	383	UA082
Silver	銀	H-8	C-8	J-8	11	90	LC74
Khaki	卡其	H-81	C-55		159		UA097
Red	紅	H-3	C-3	J-3	19	31	LC56
Metallic green	亮綠	H-89	C-77	J-77	131	364	

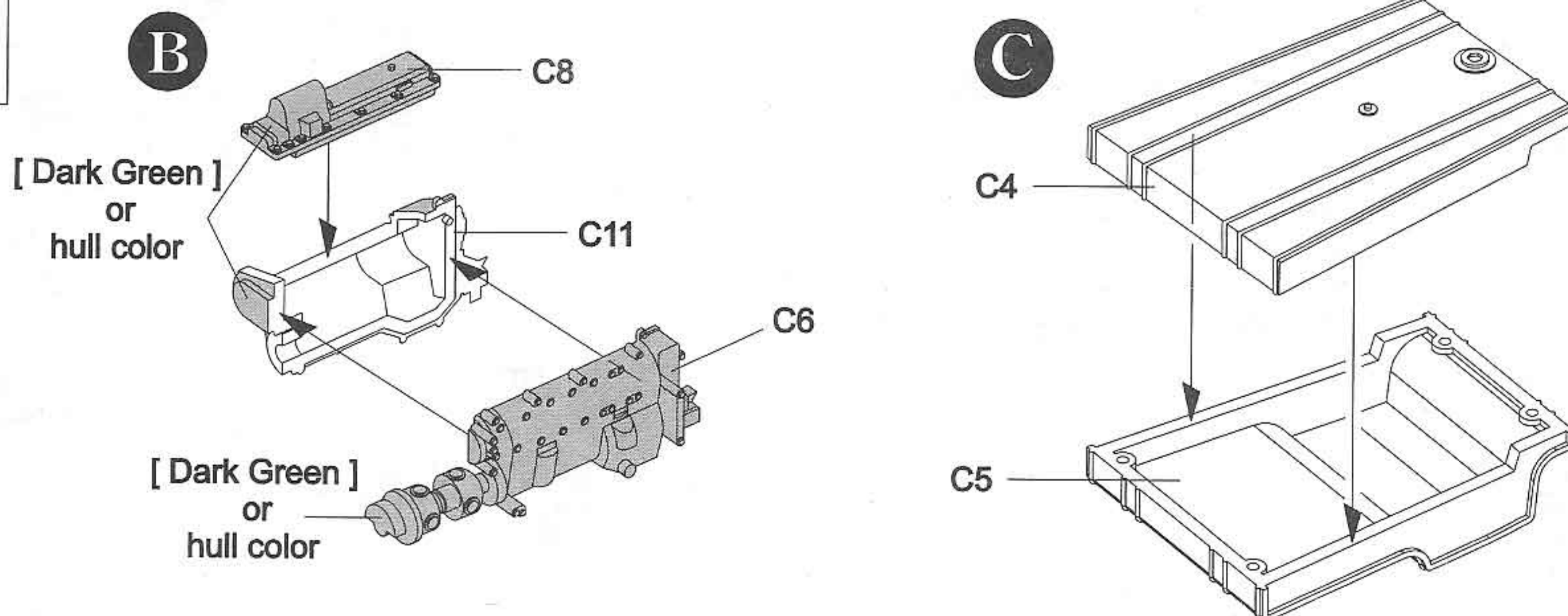
1



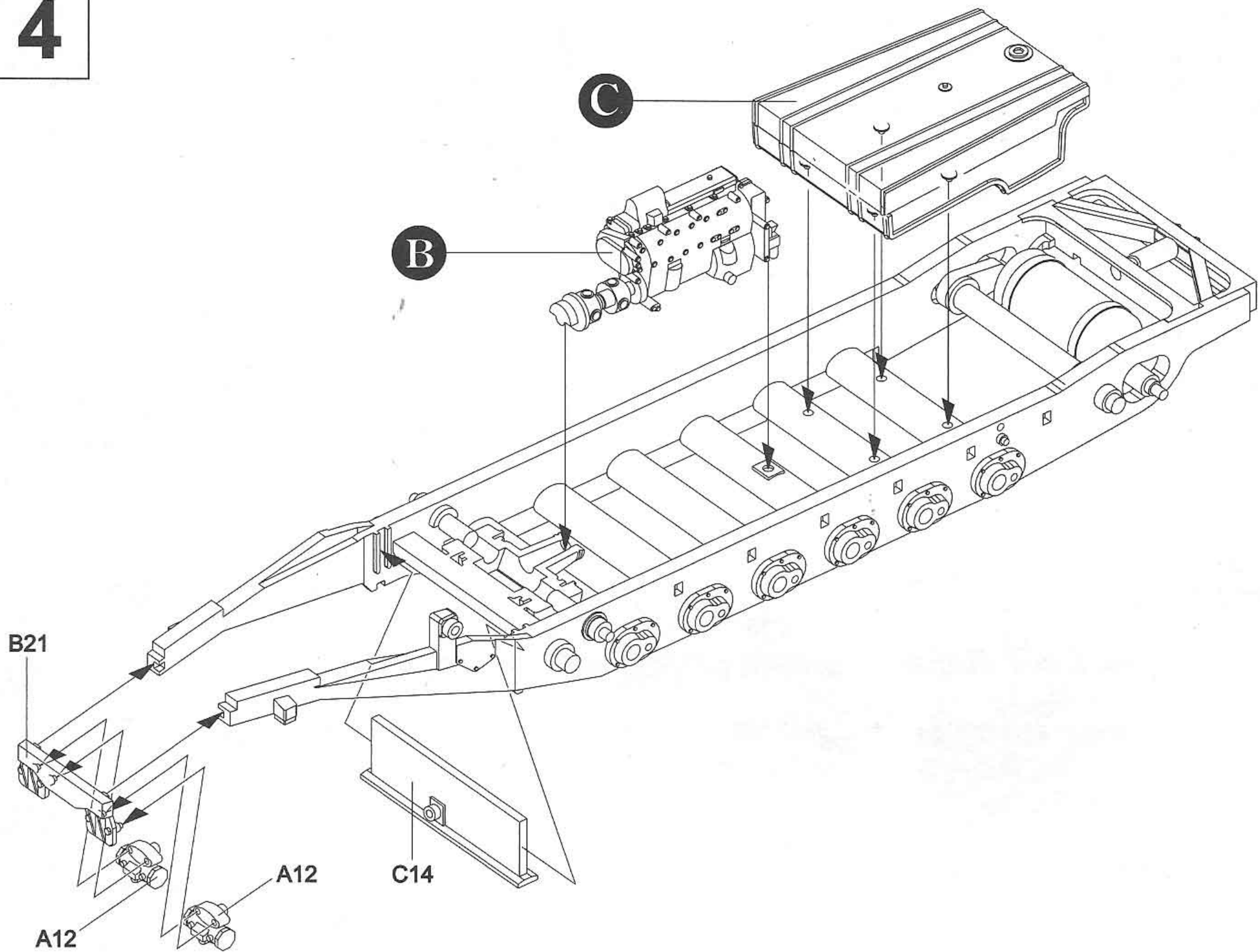
2



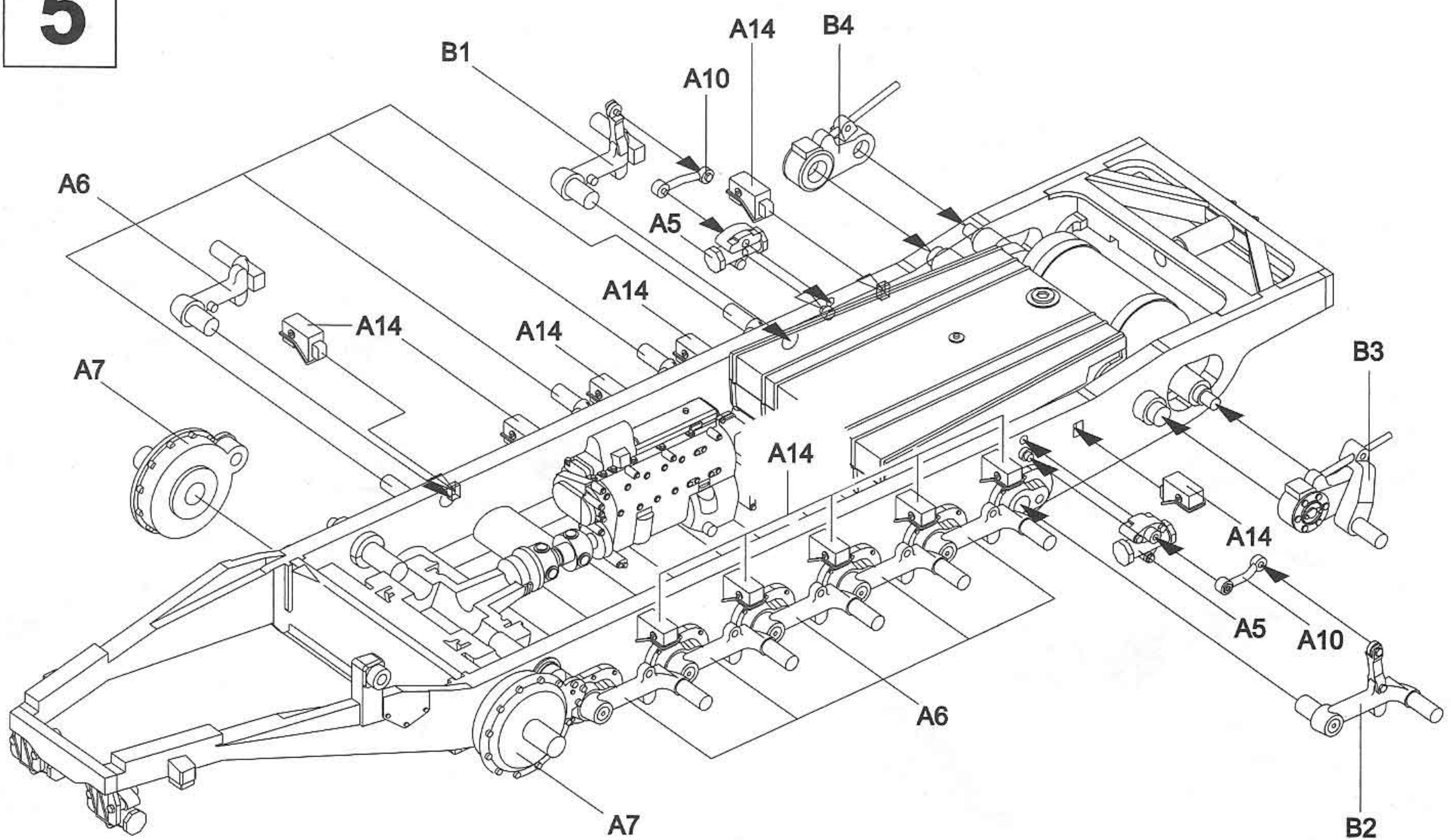
3

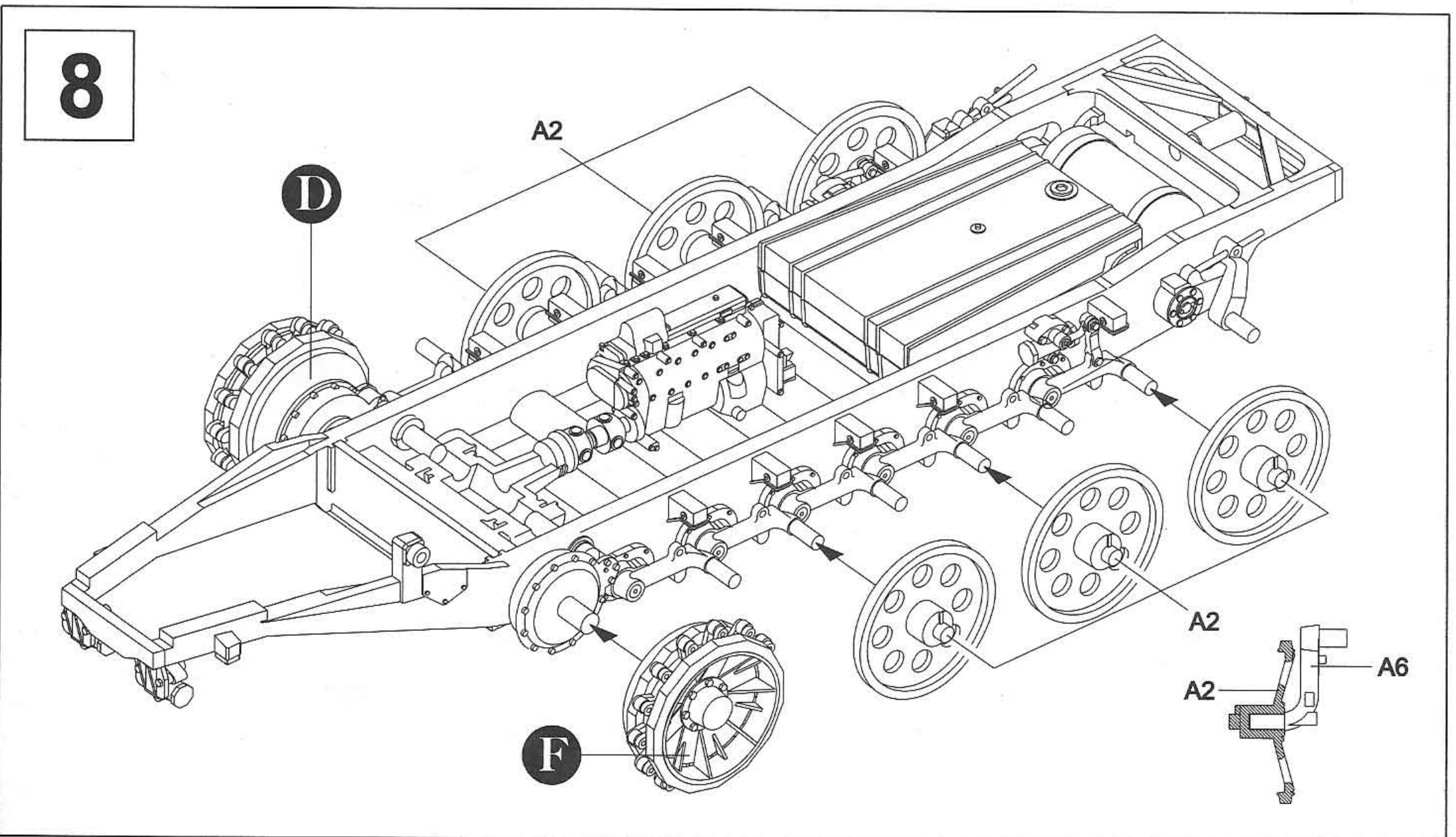
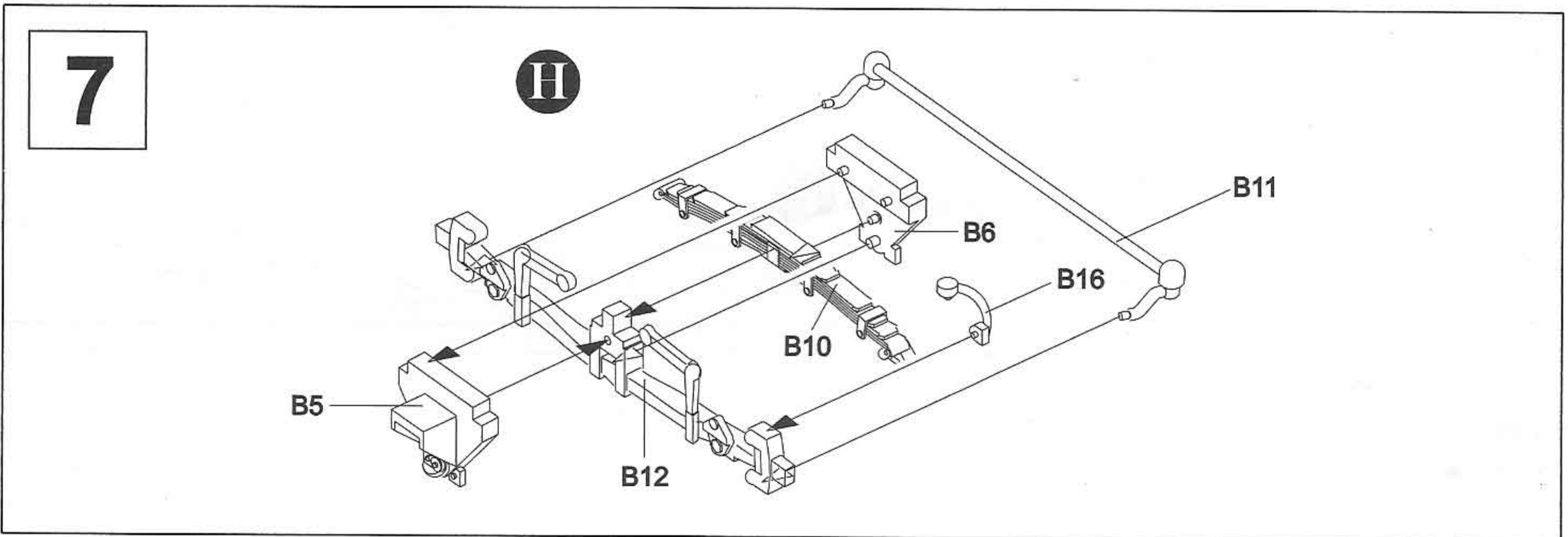
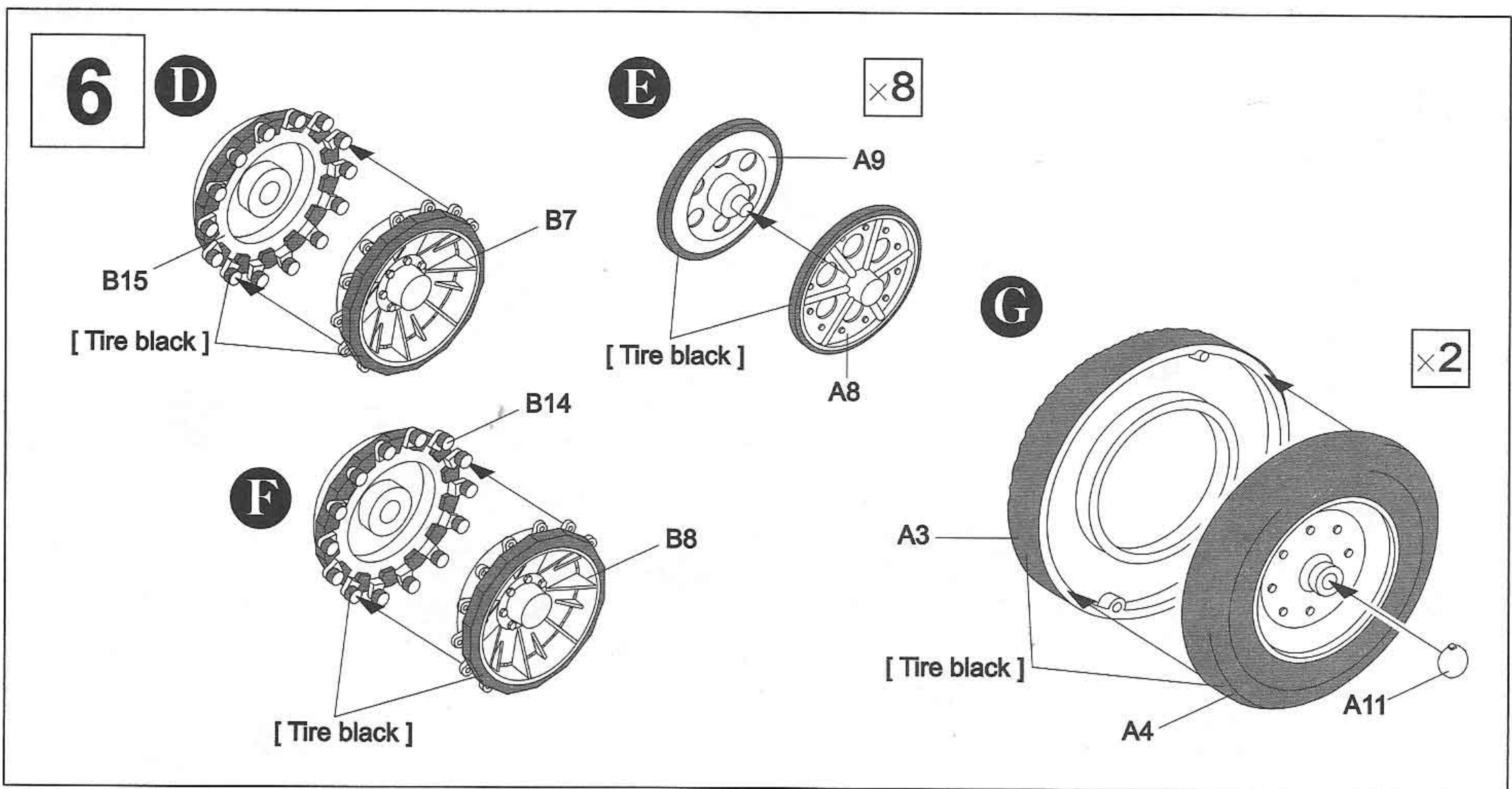


4

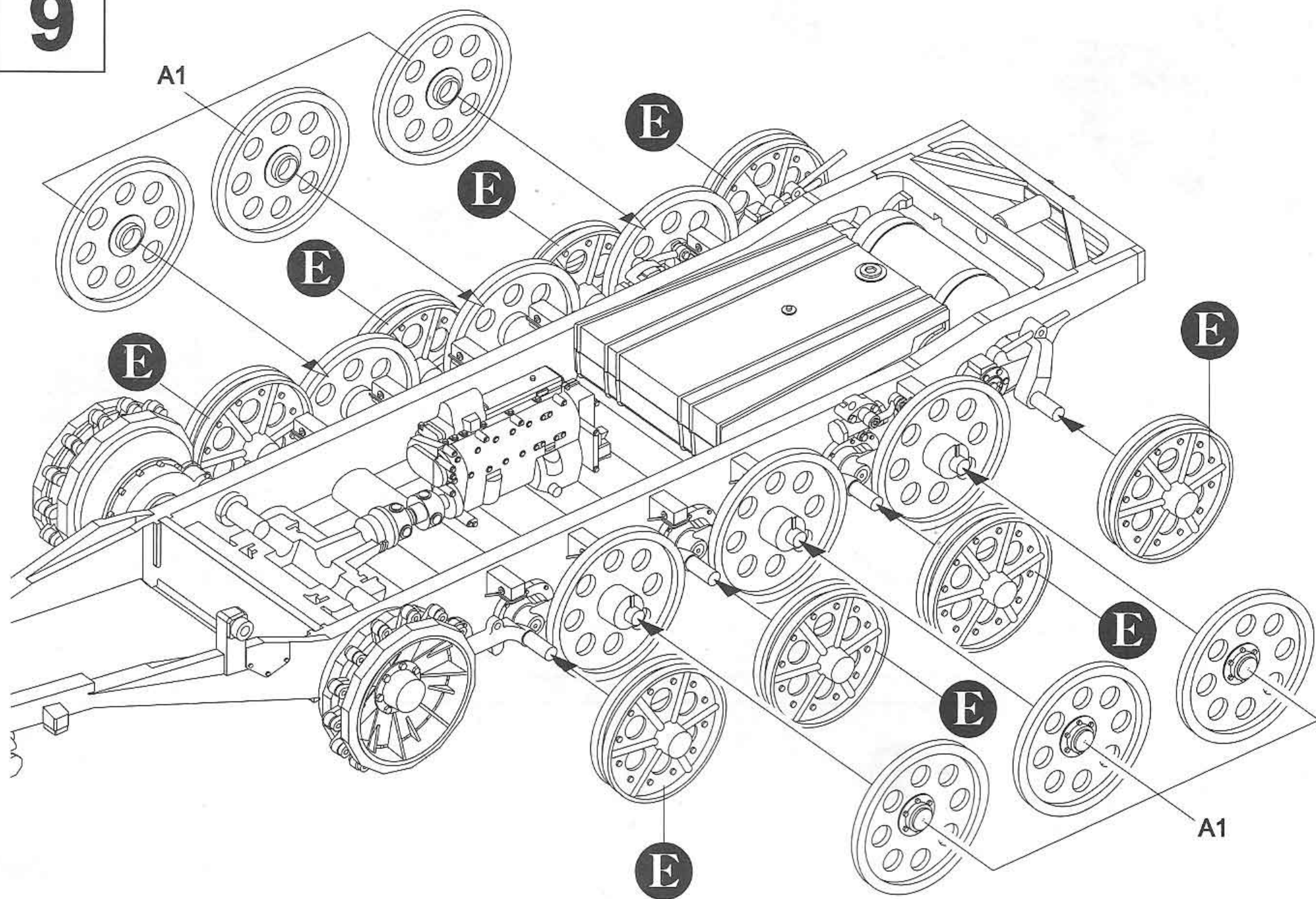


5

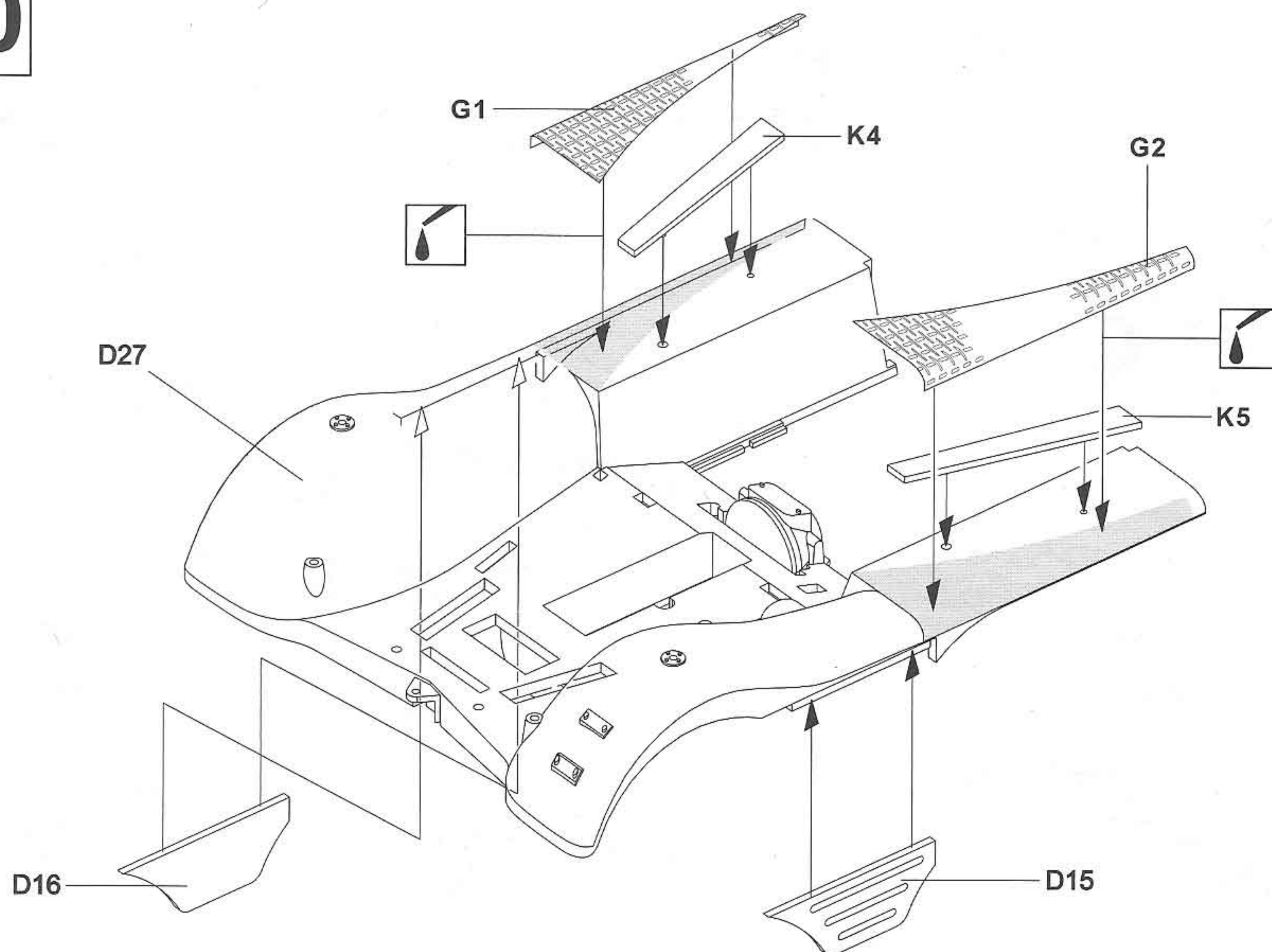




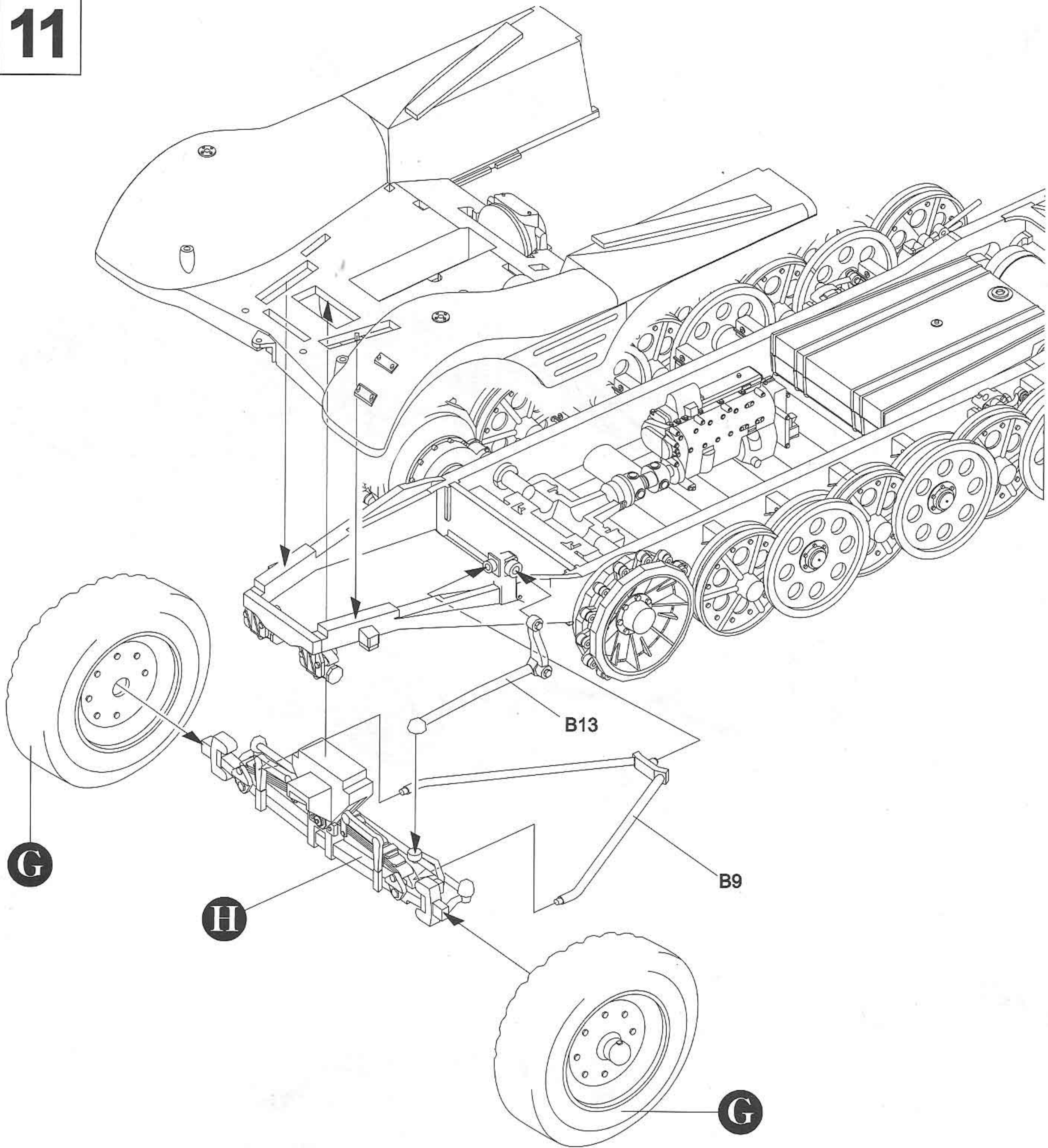
9



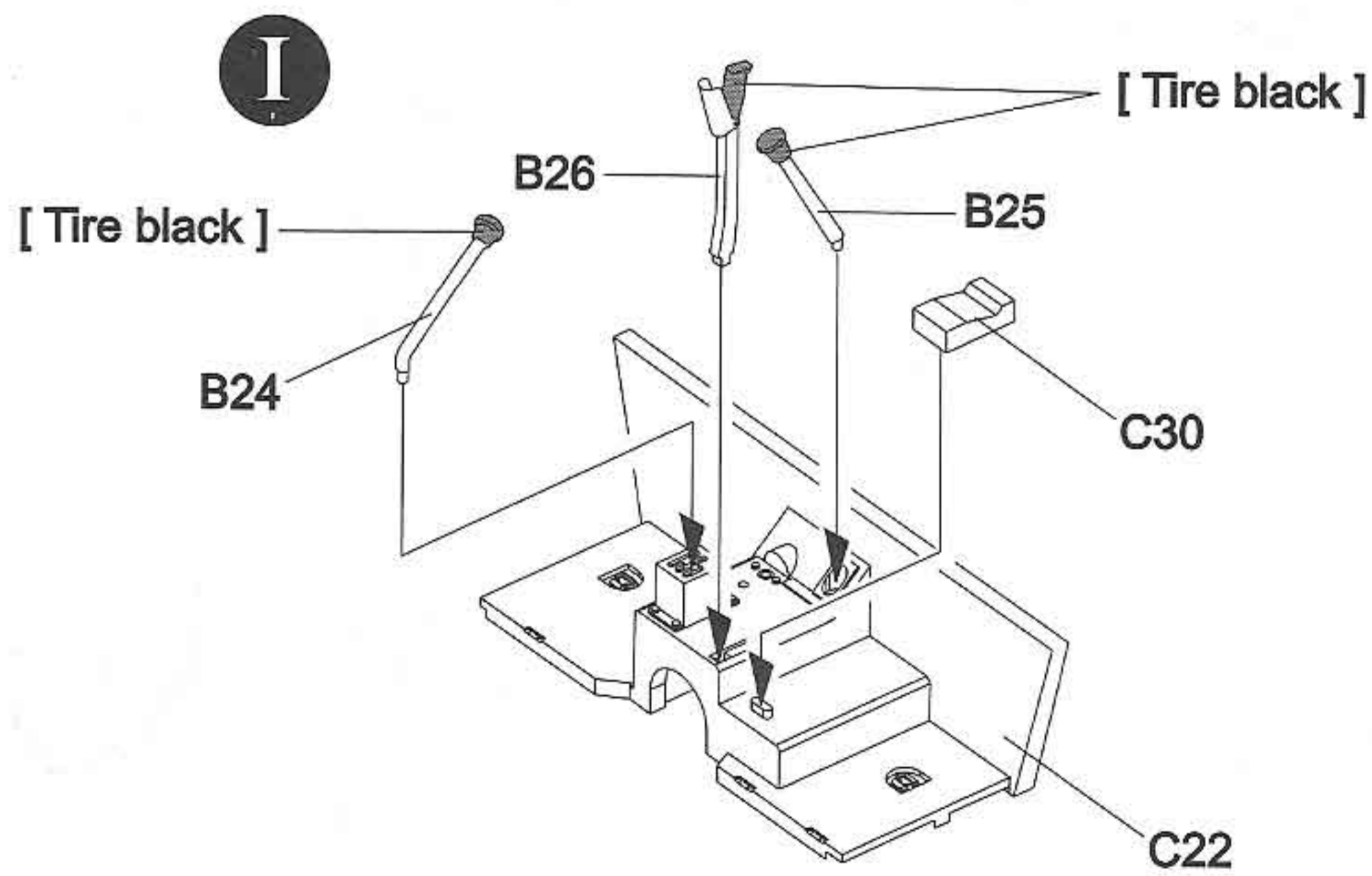
10



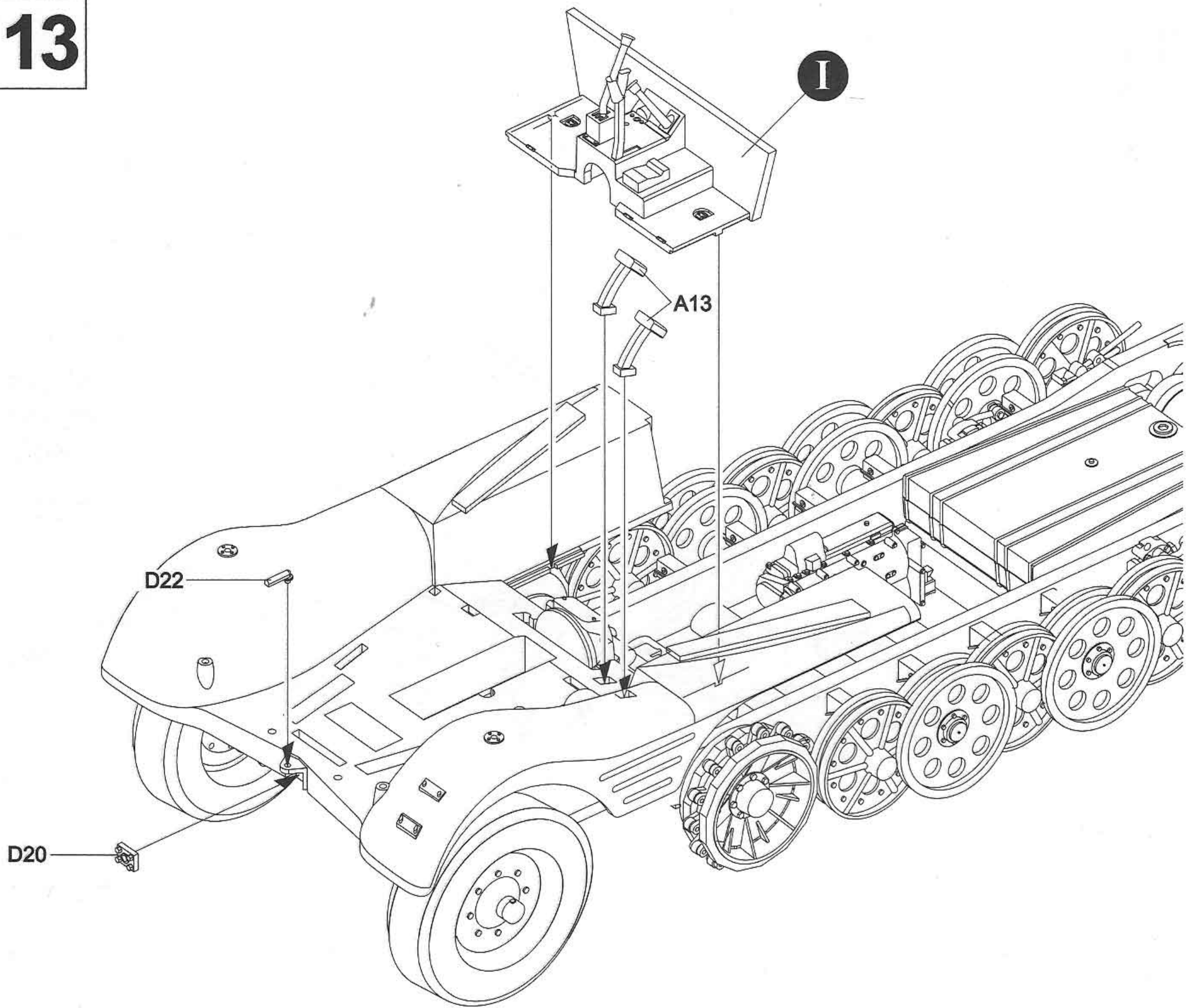
11



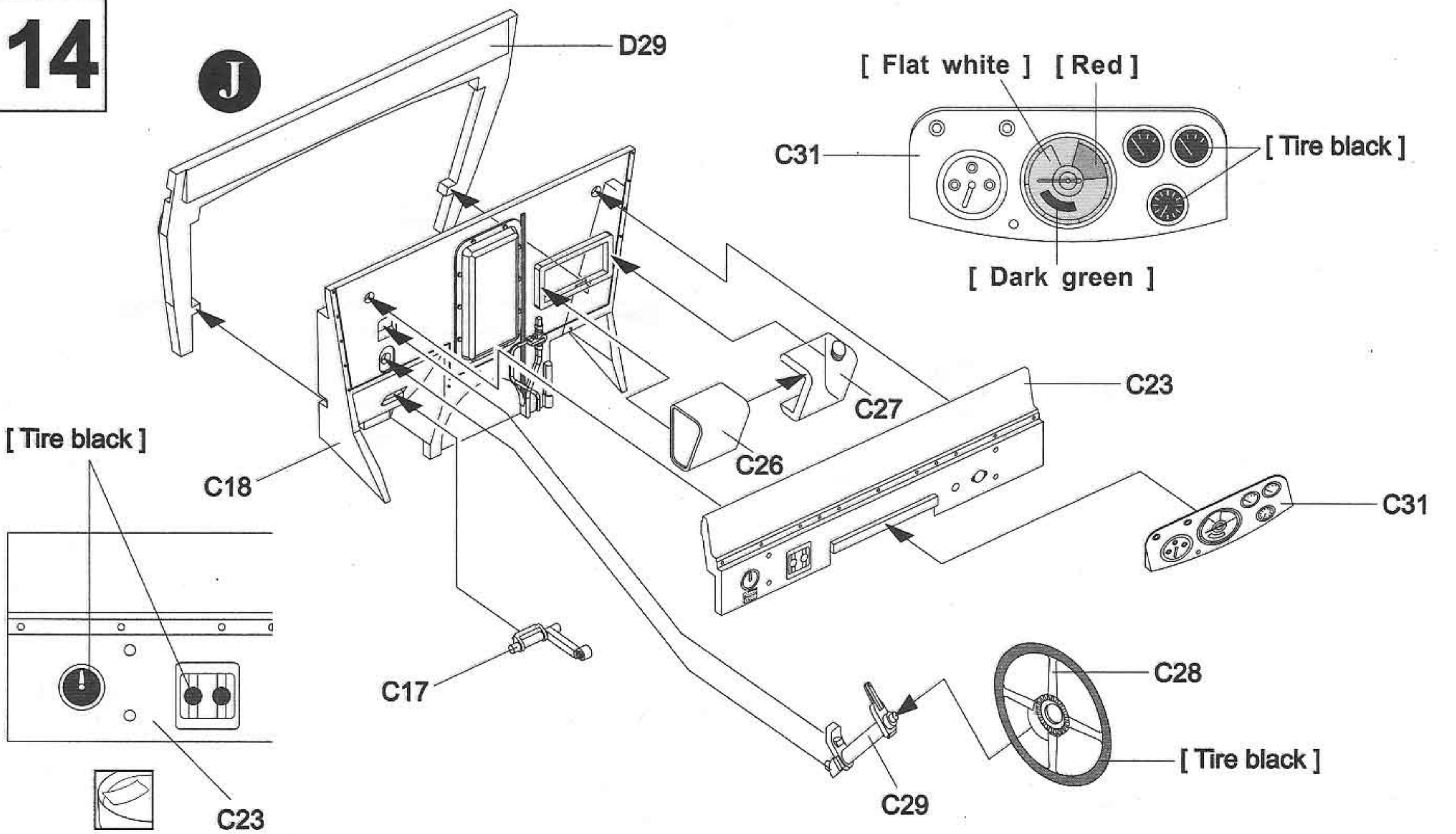
12



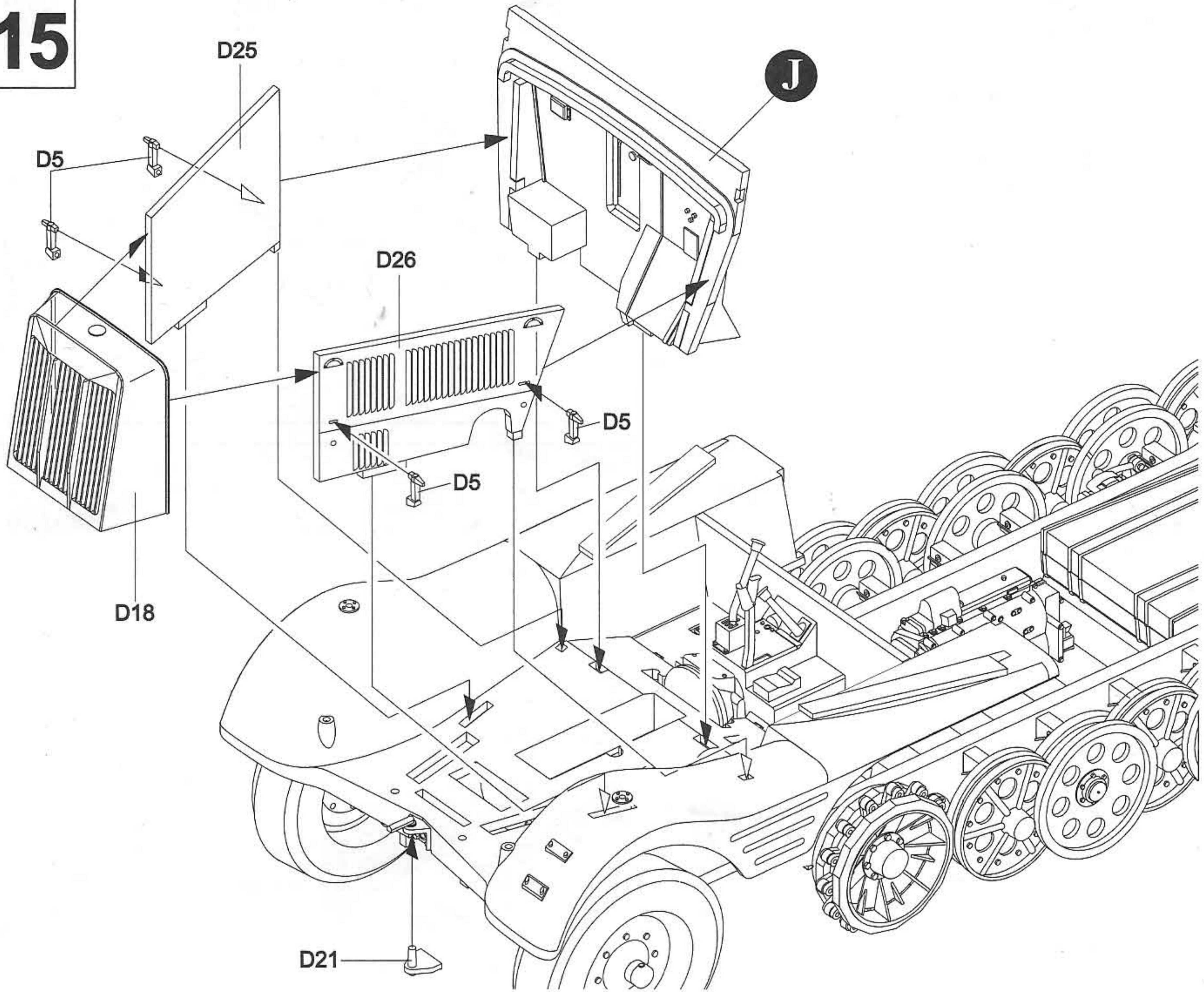
13



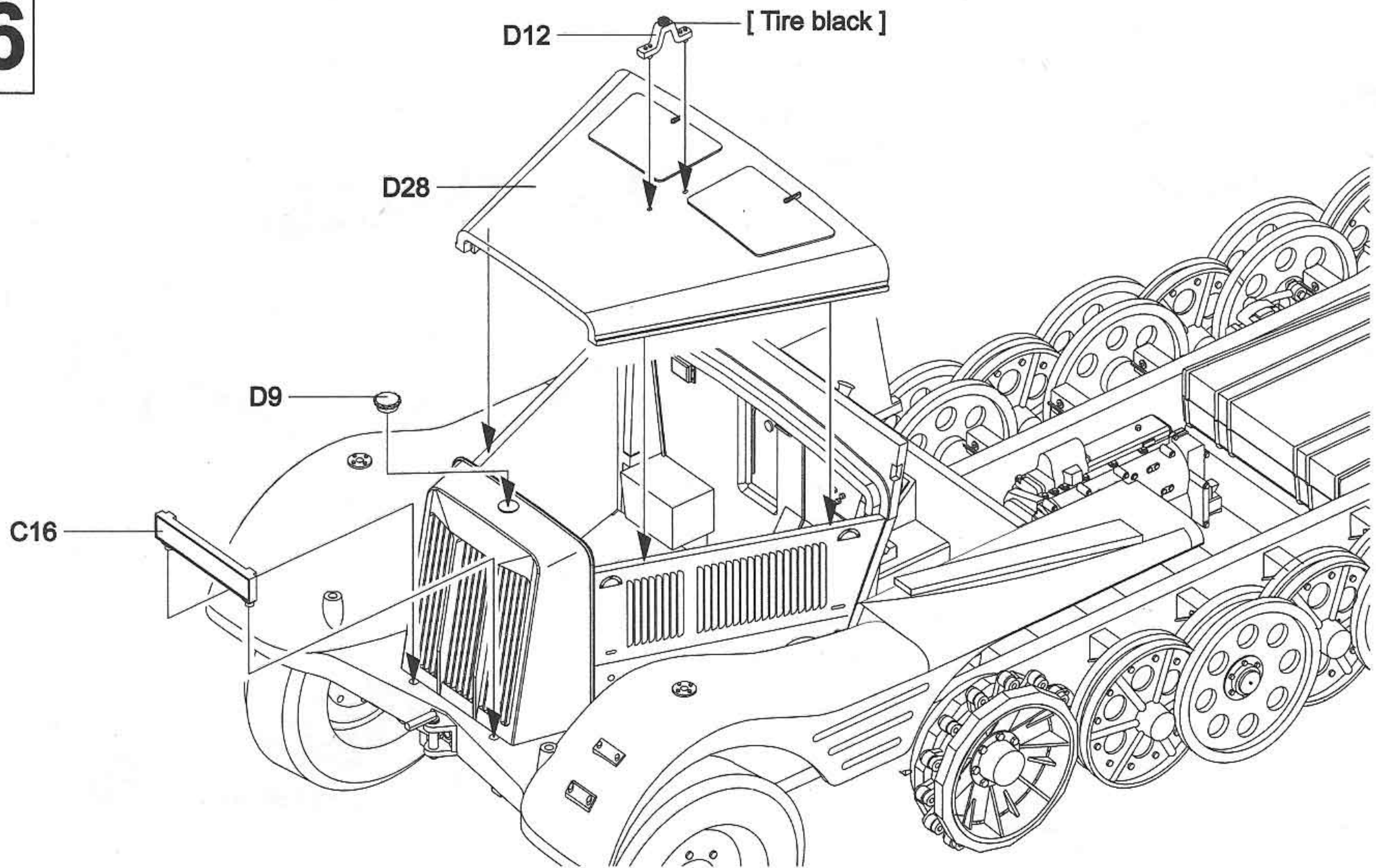
14



15



16

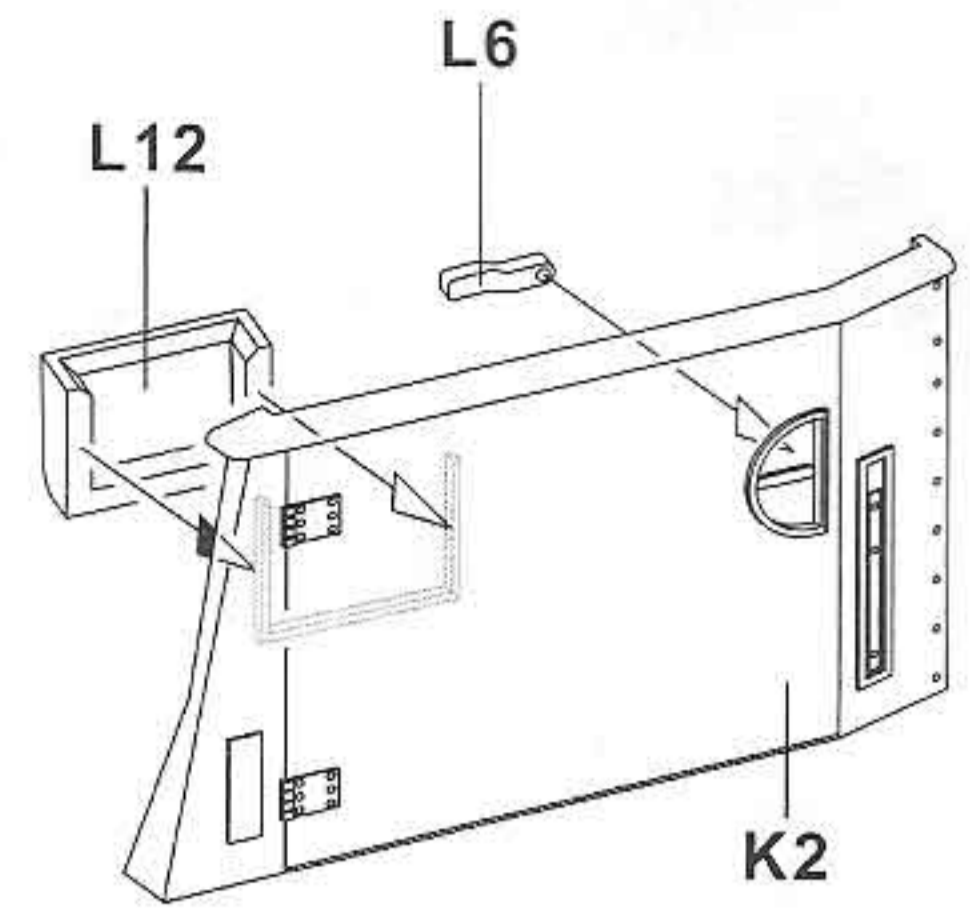
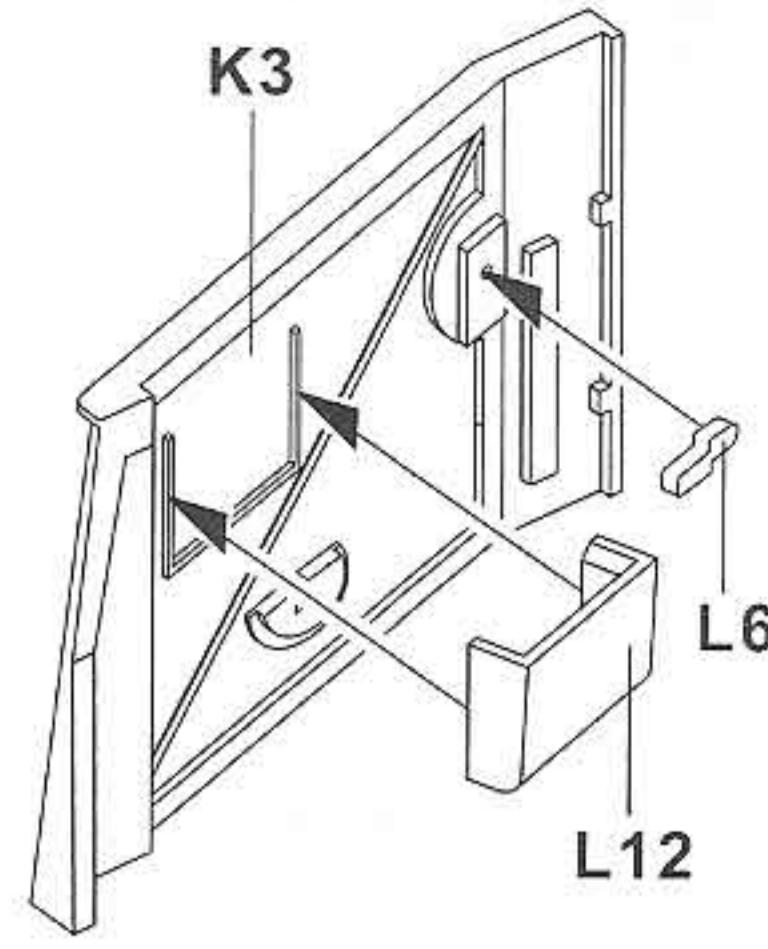
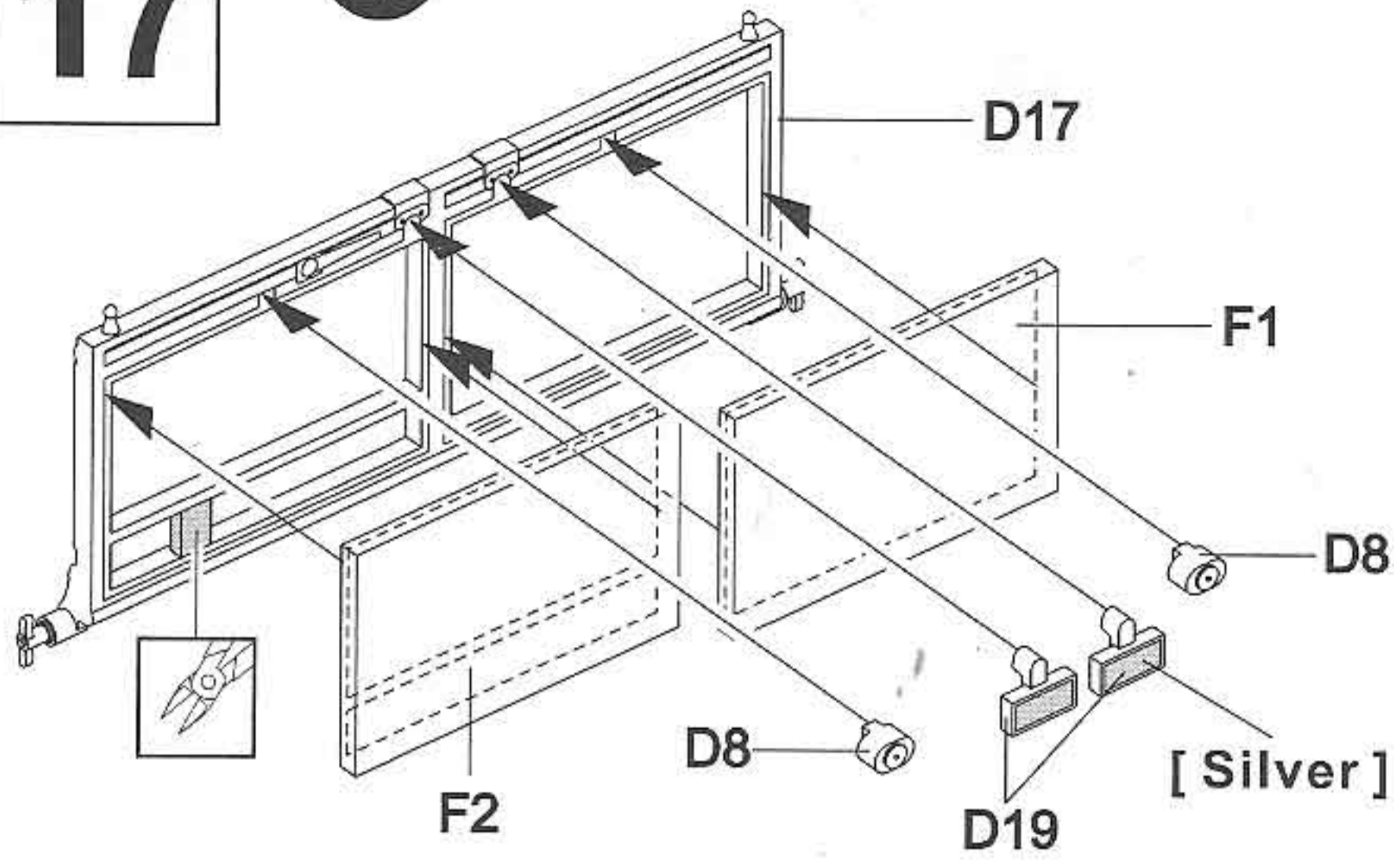


17

K

L

M

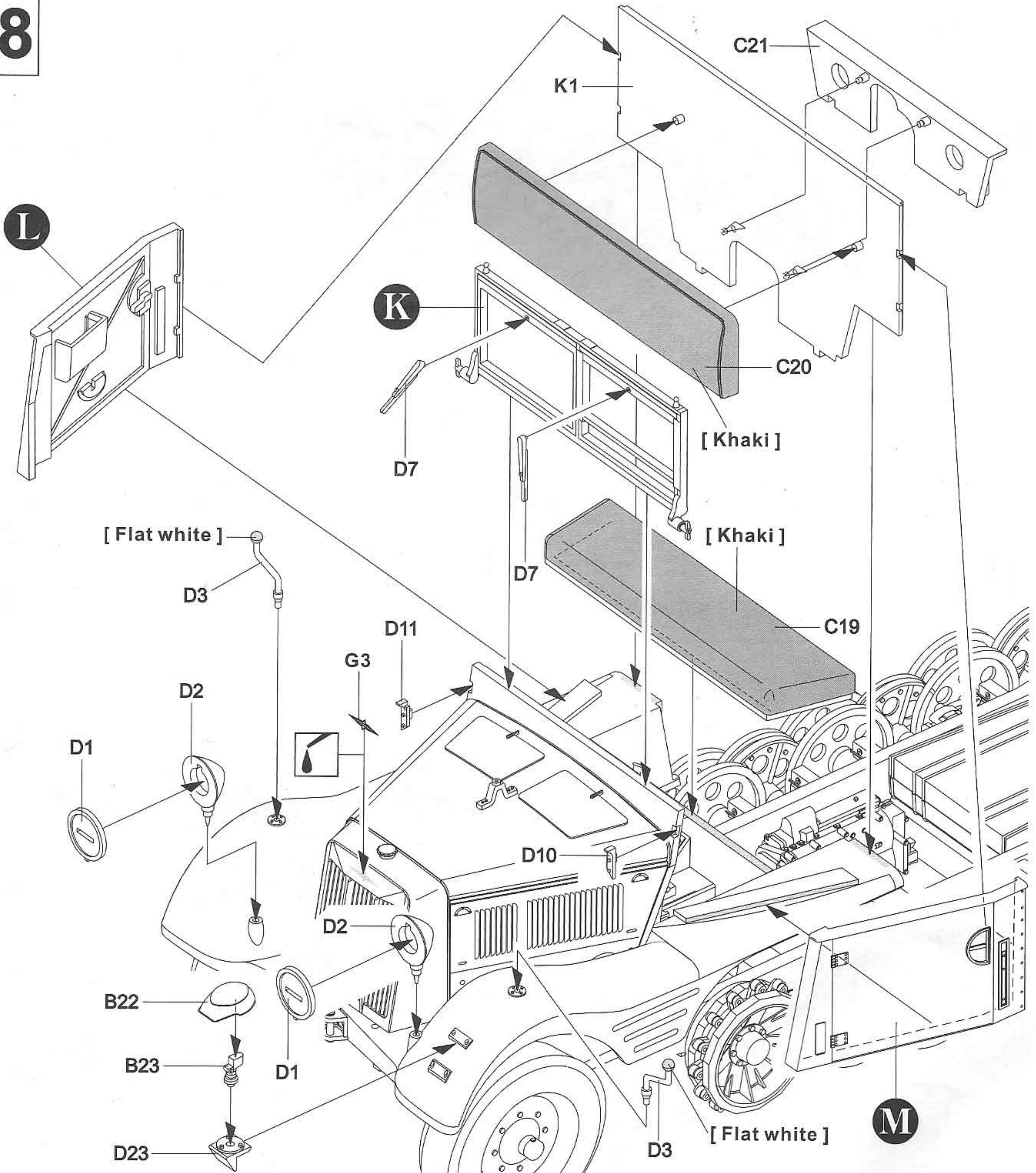


18

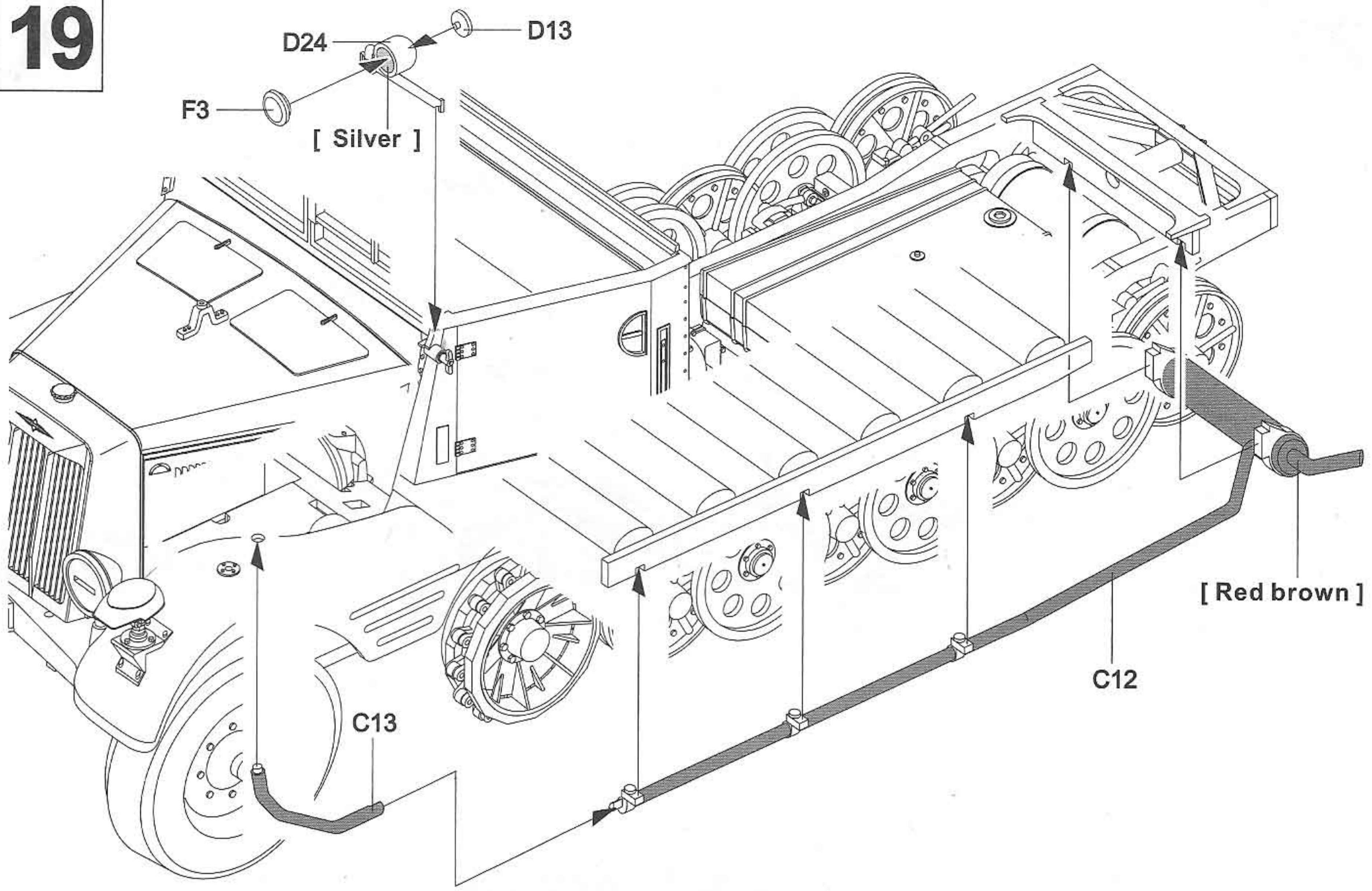
L

K

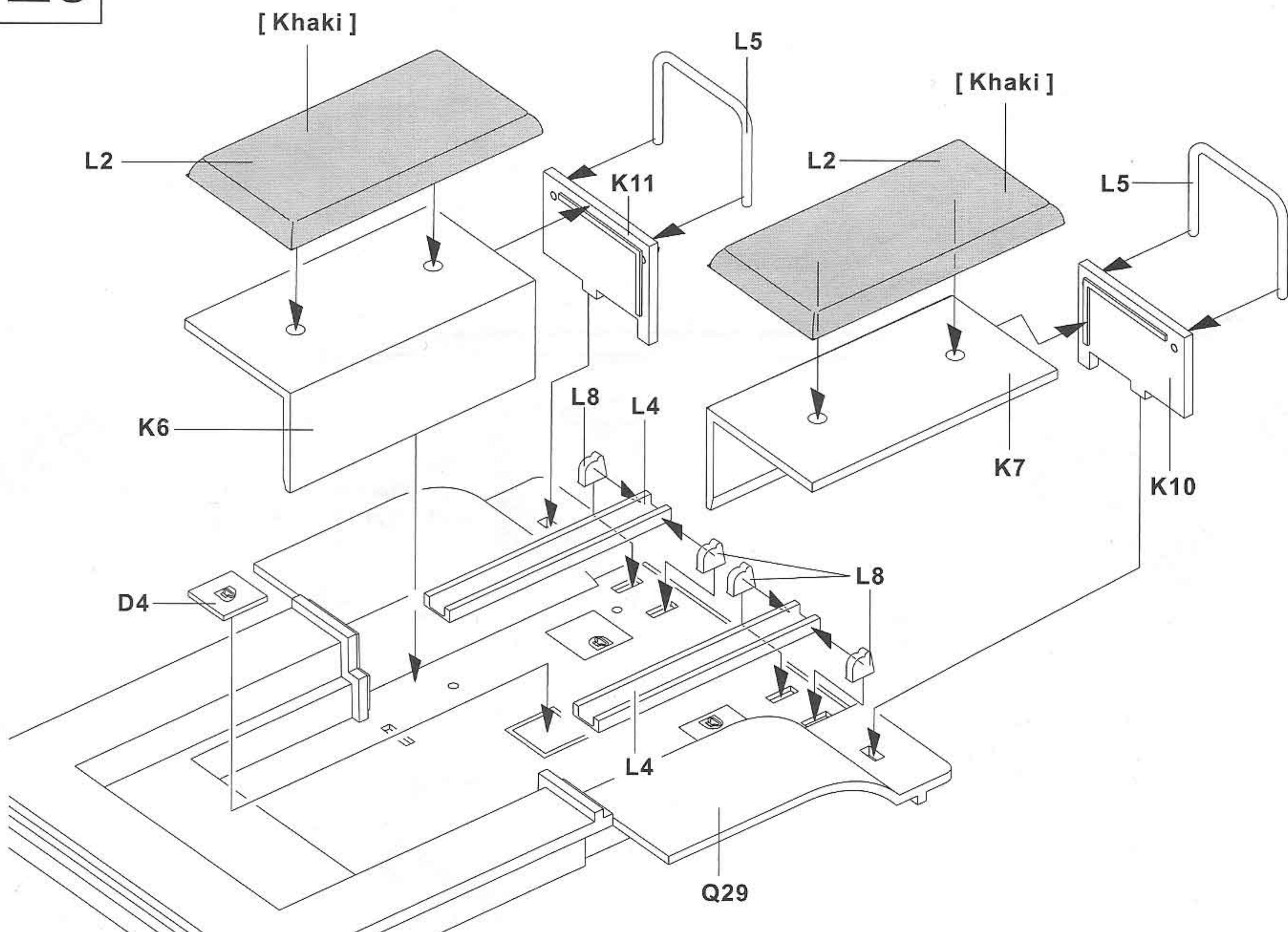
M



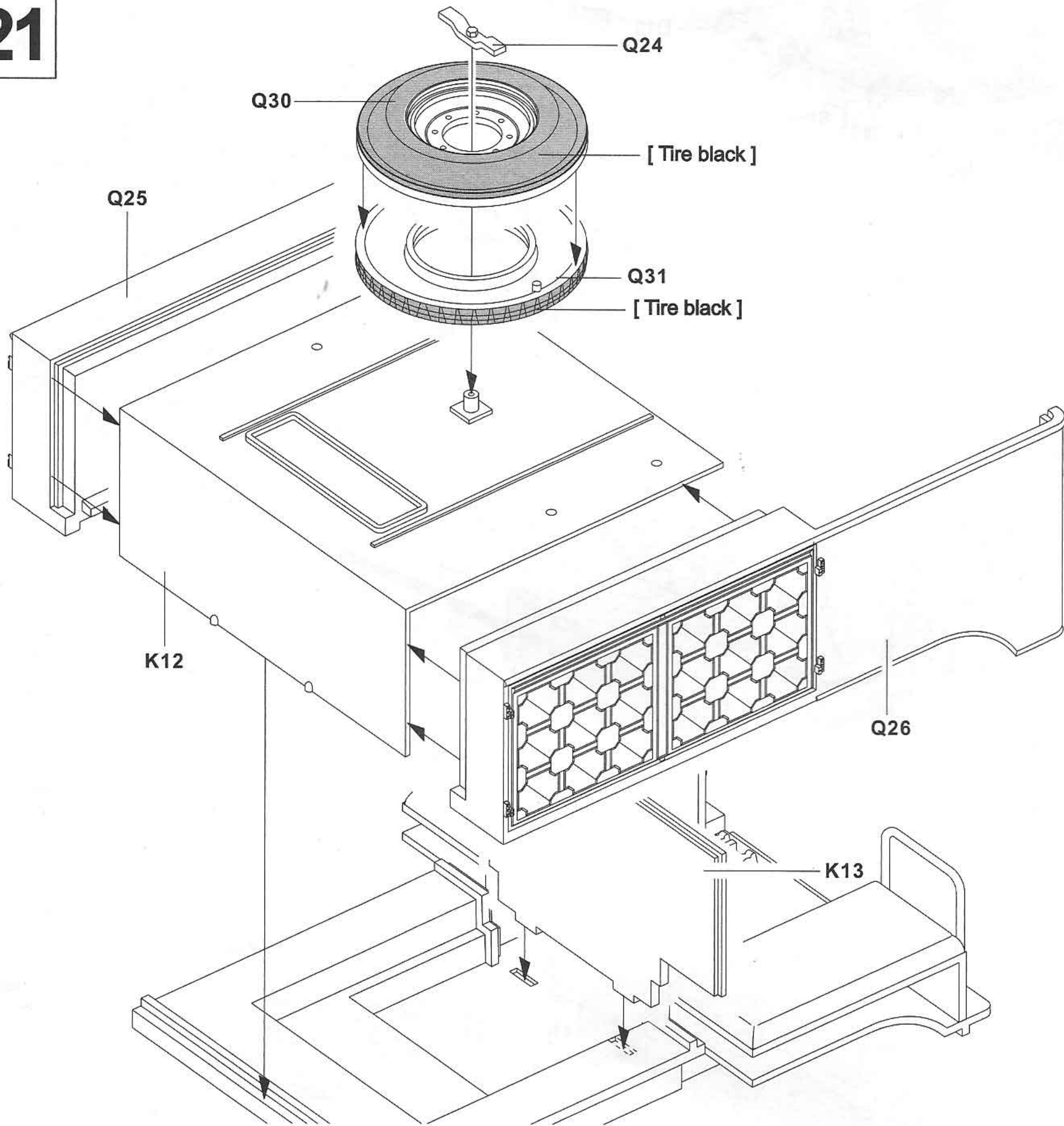
19



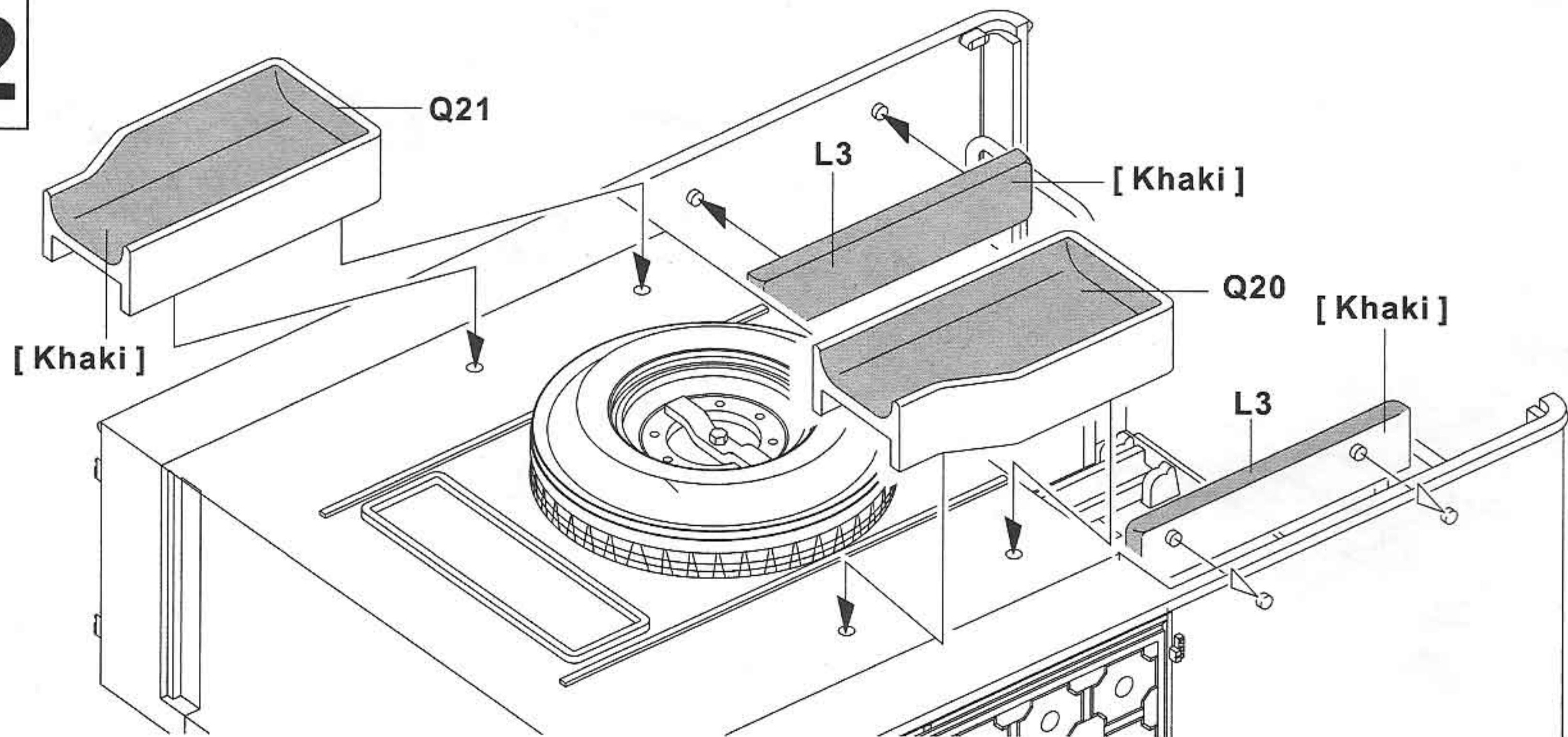
20



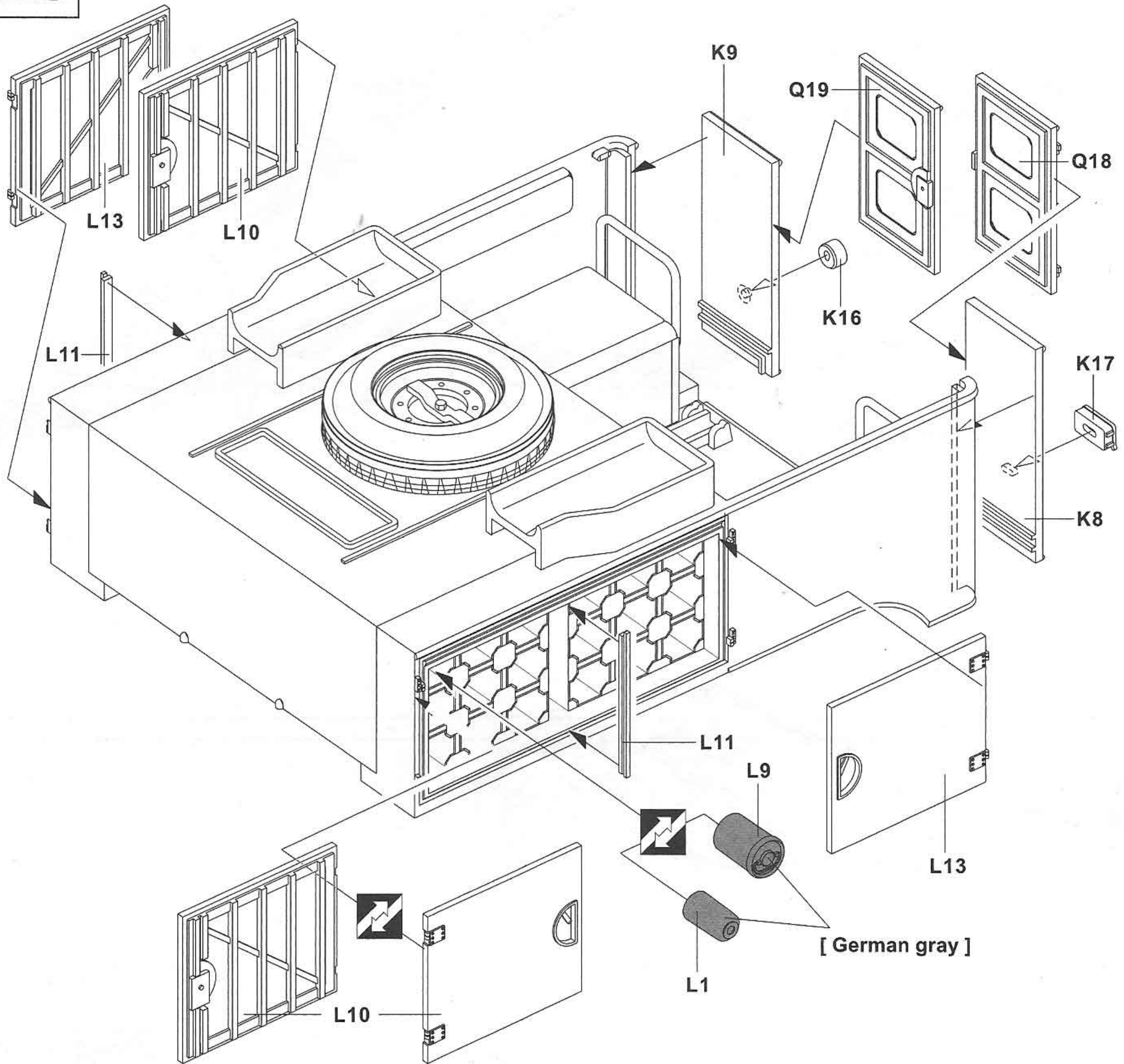
21



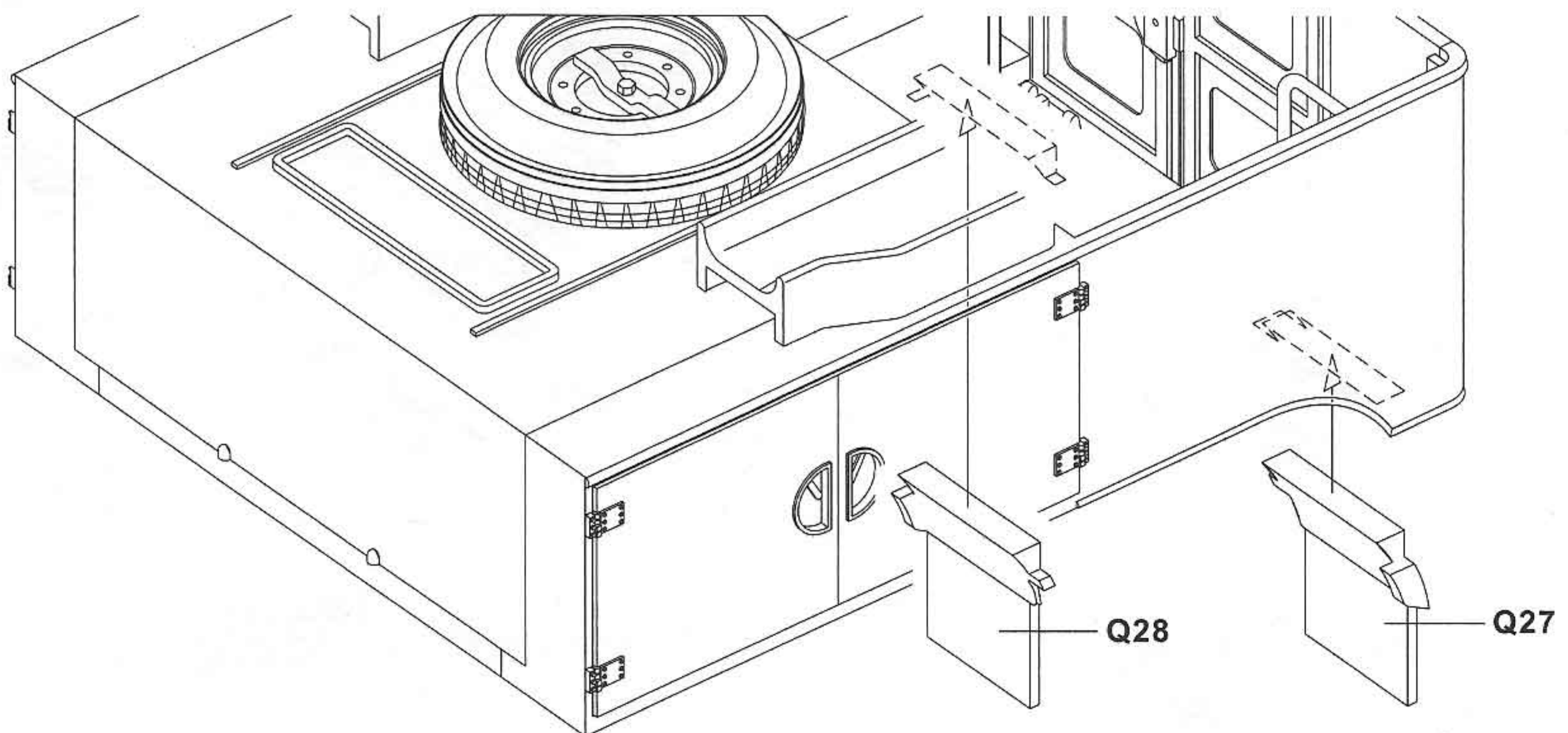
22



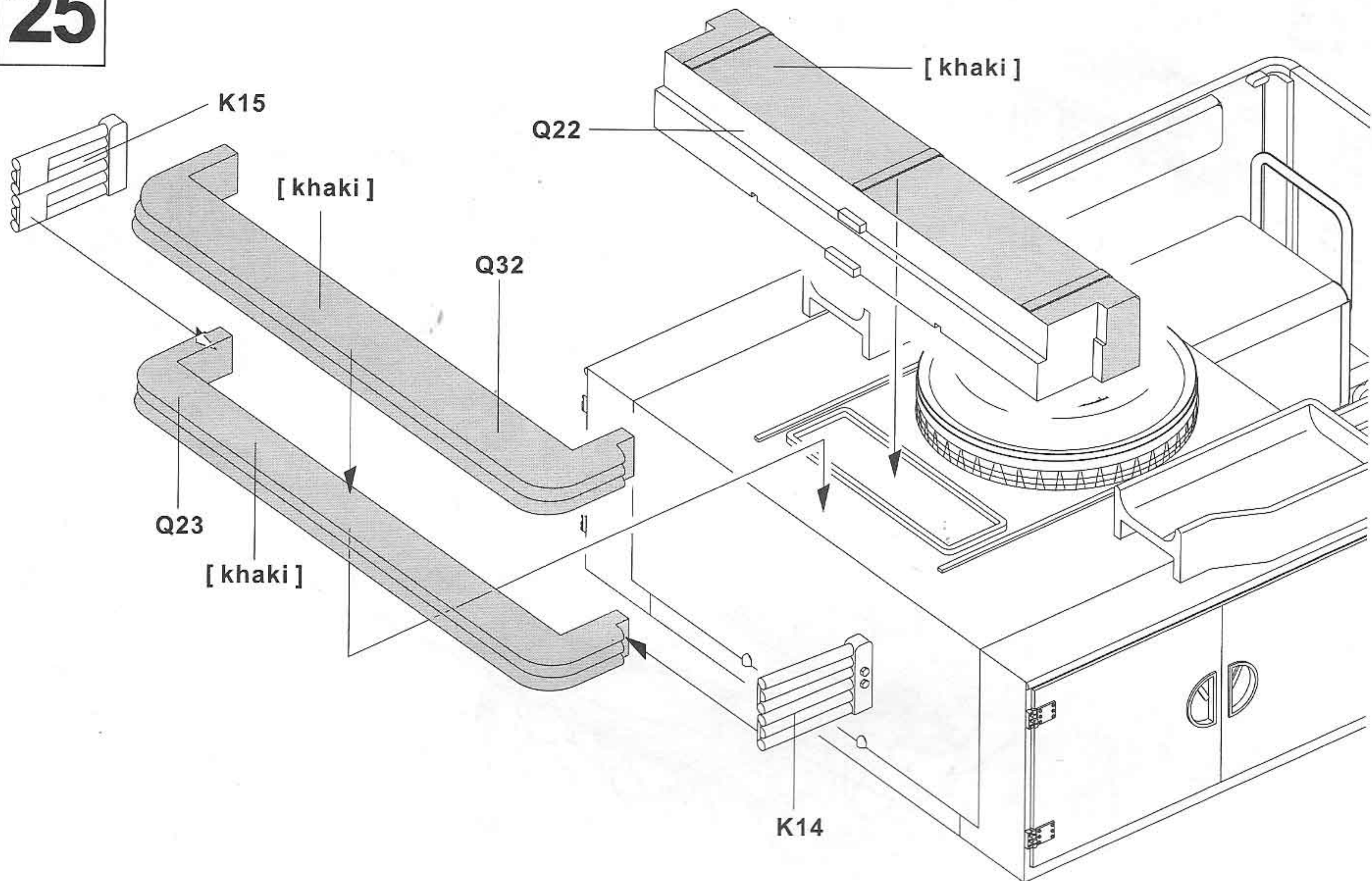
23



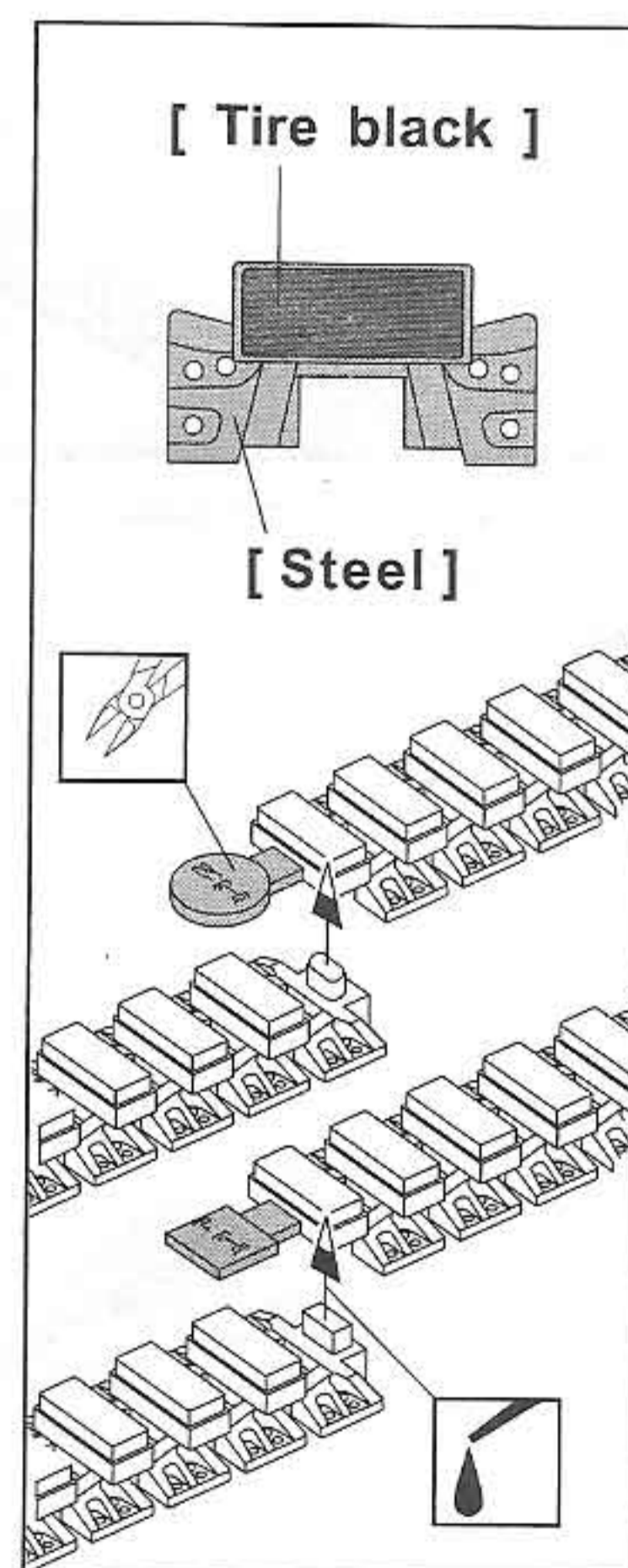
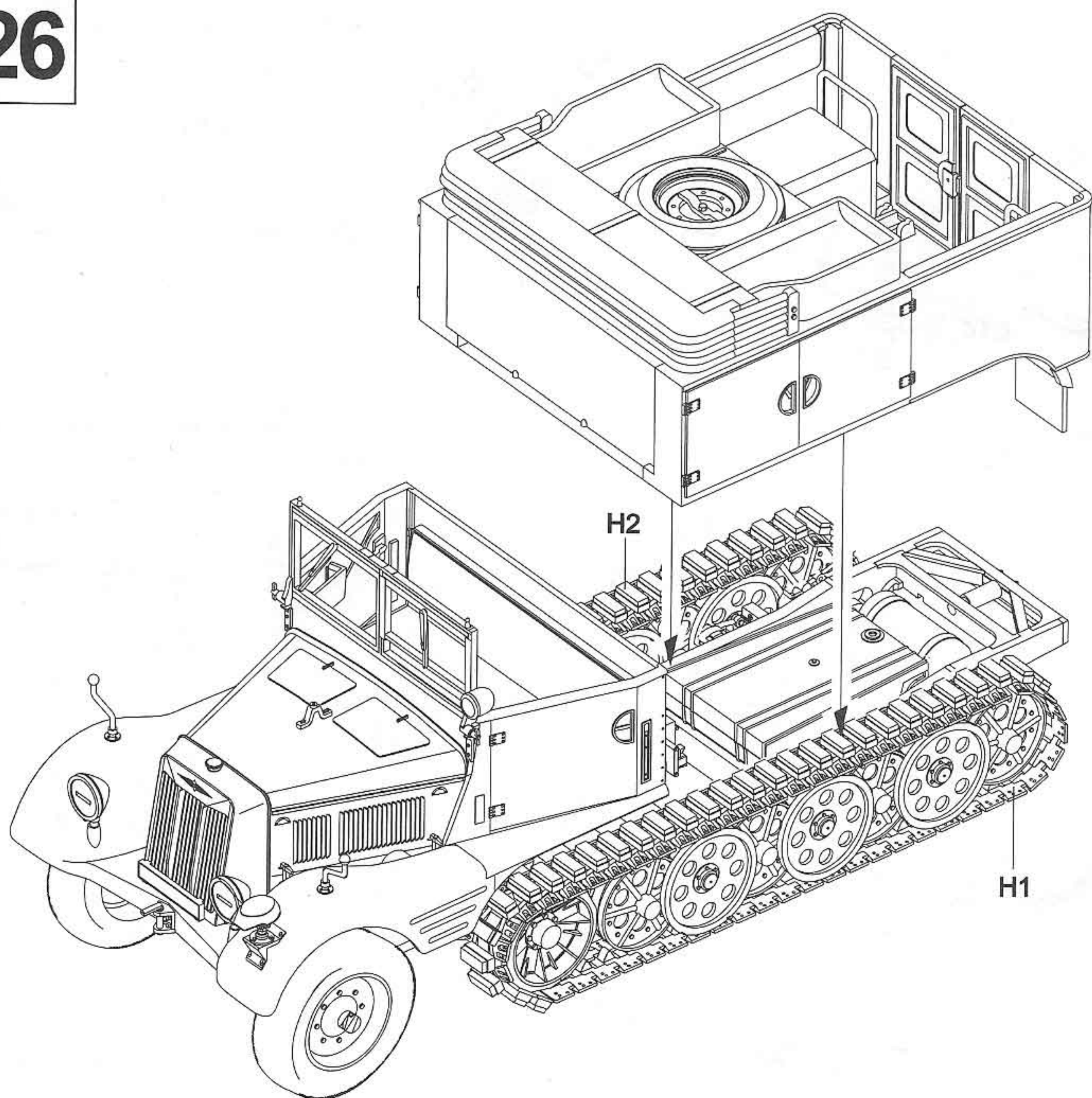
24



25


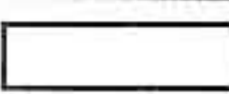


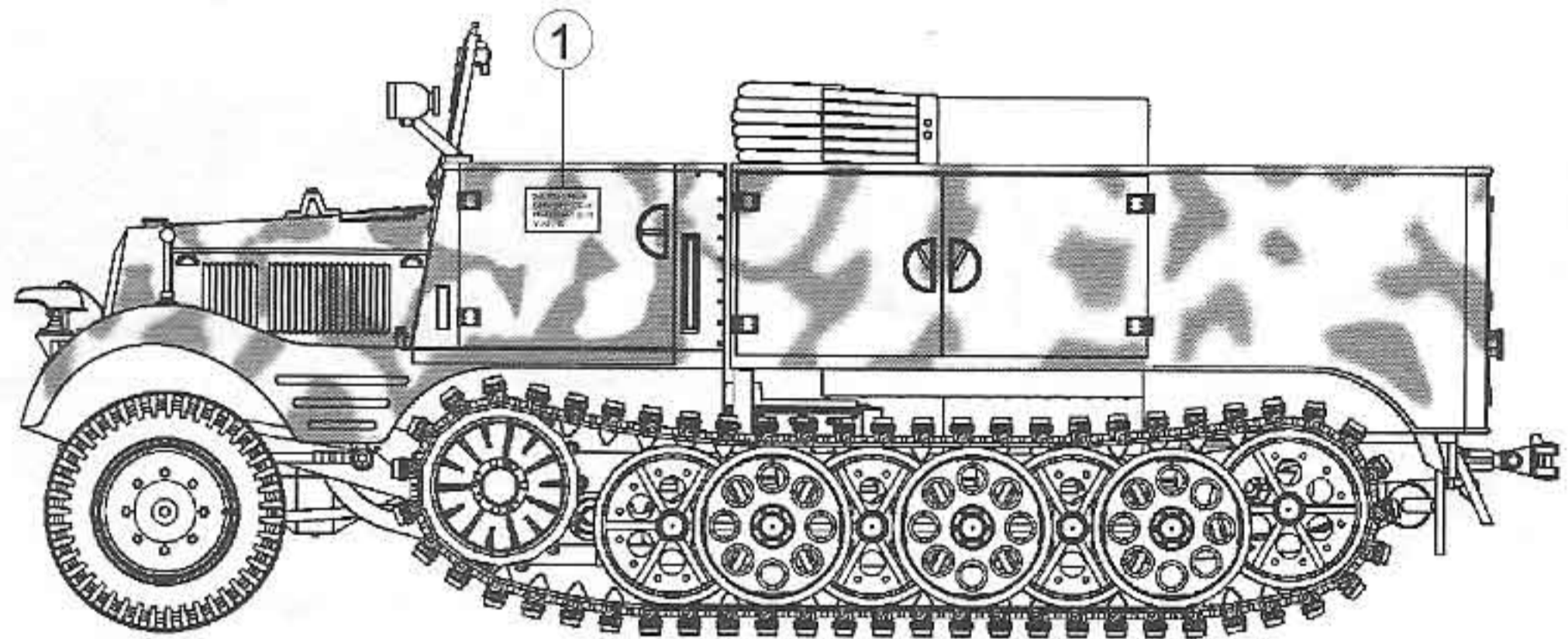
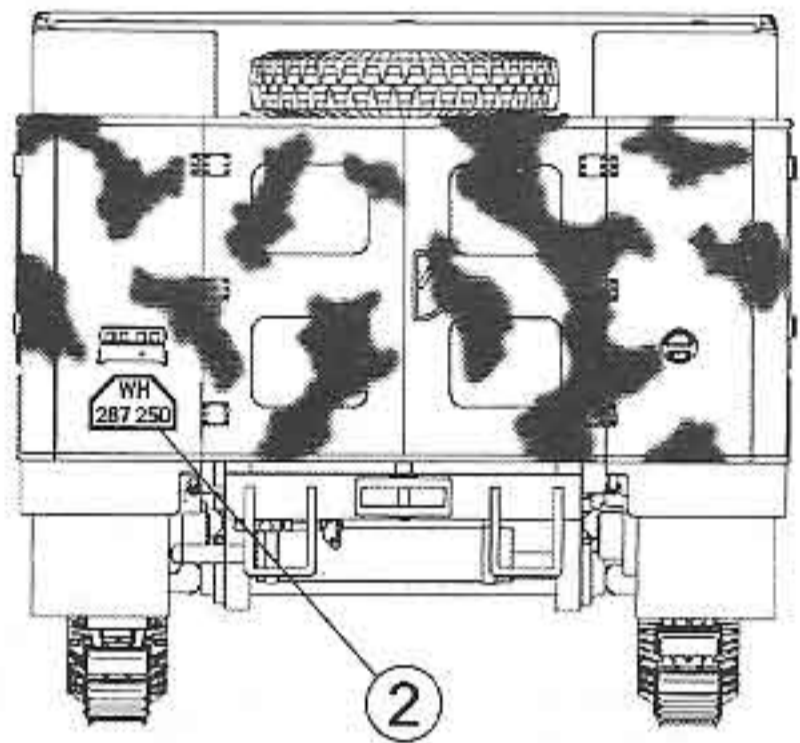
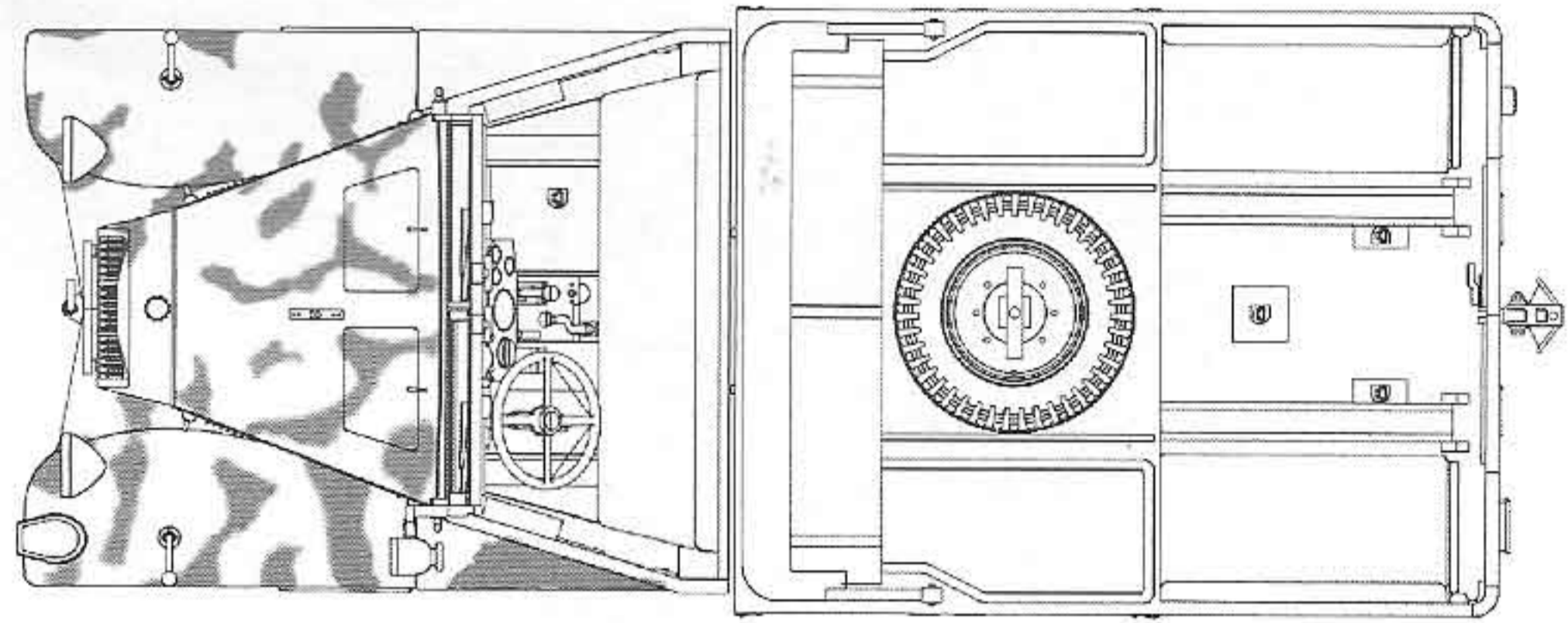
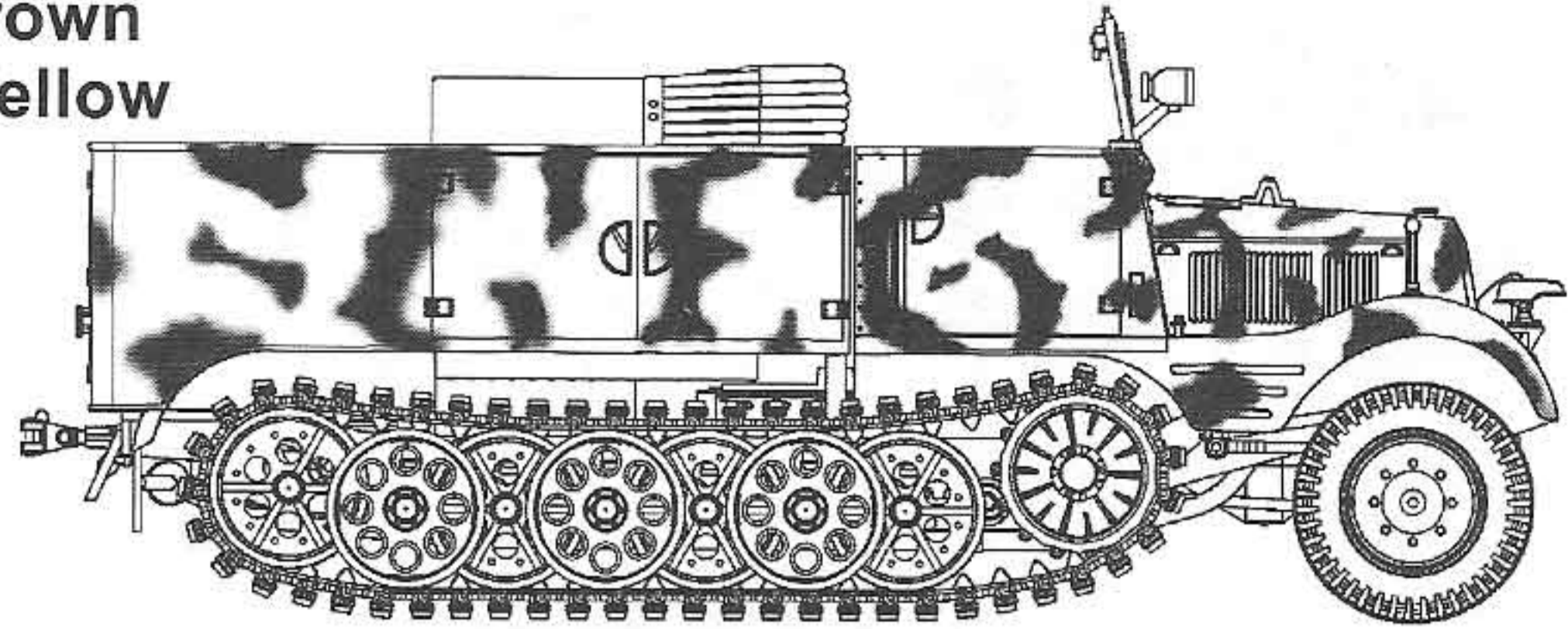
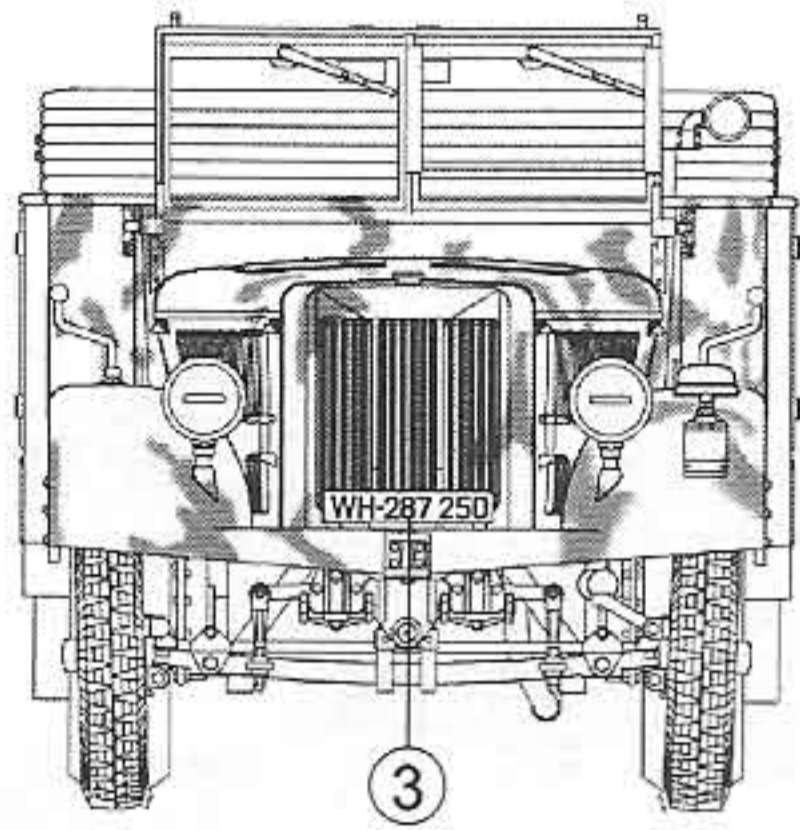
26



A Eastern Front, Summer 1943, Unit unknown

1943年夏東部戰線, 所屬部隊不明

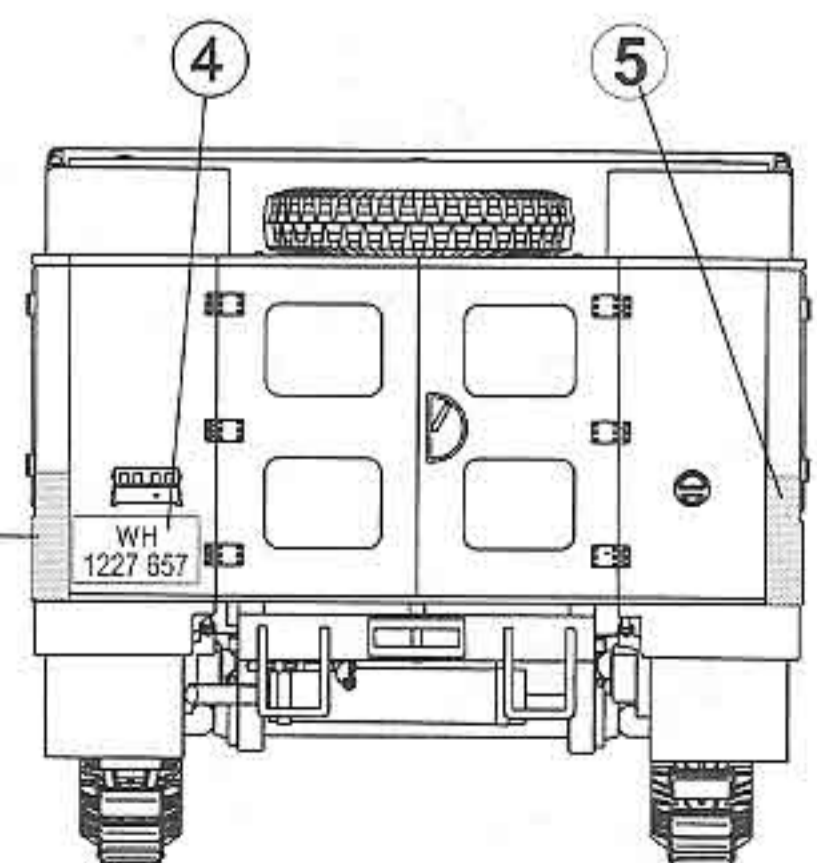
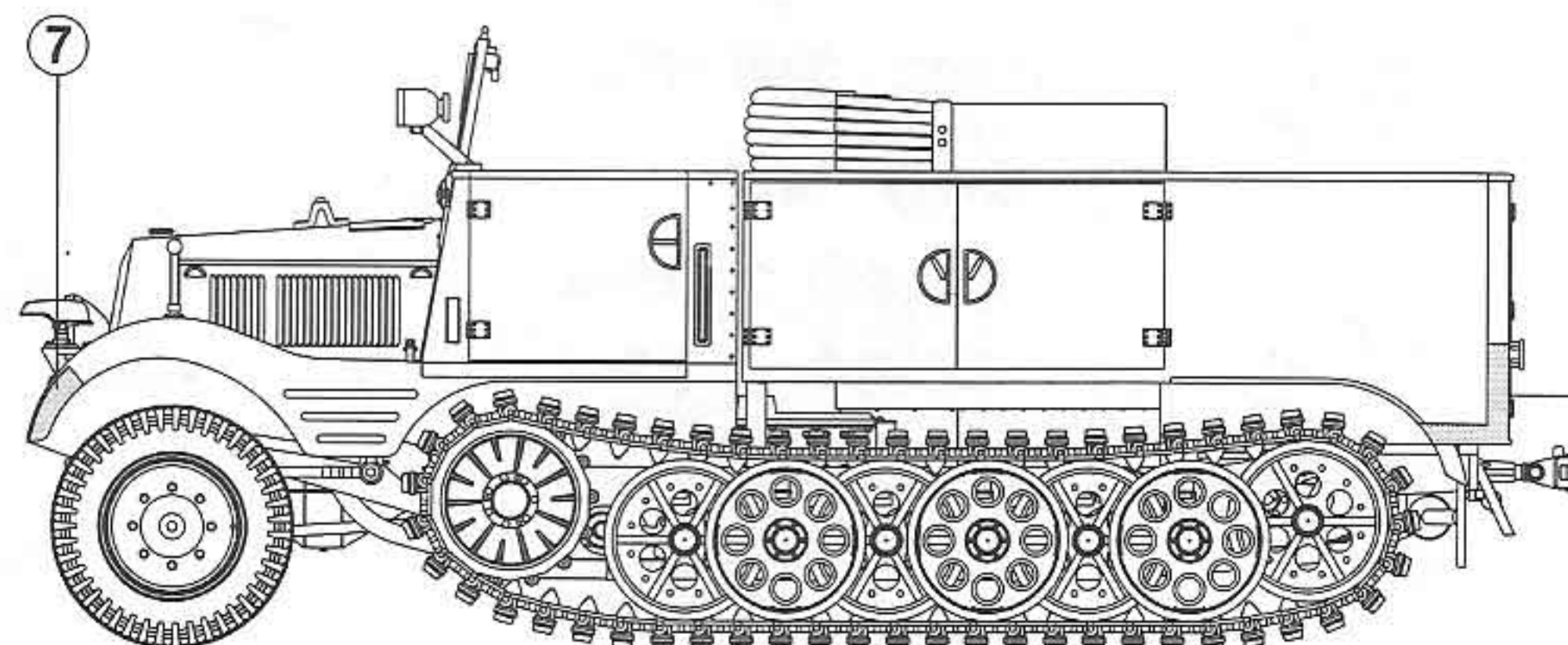
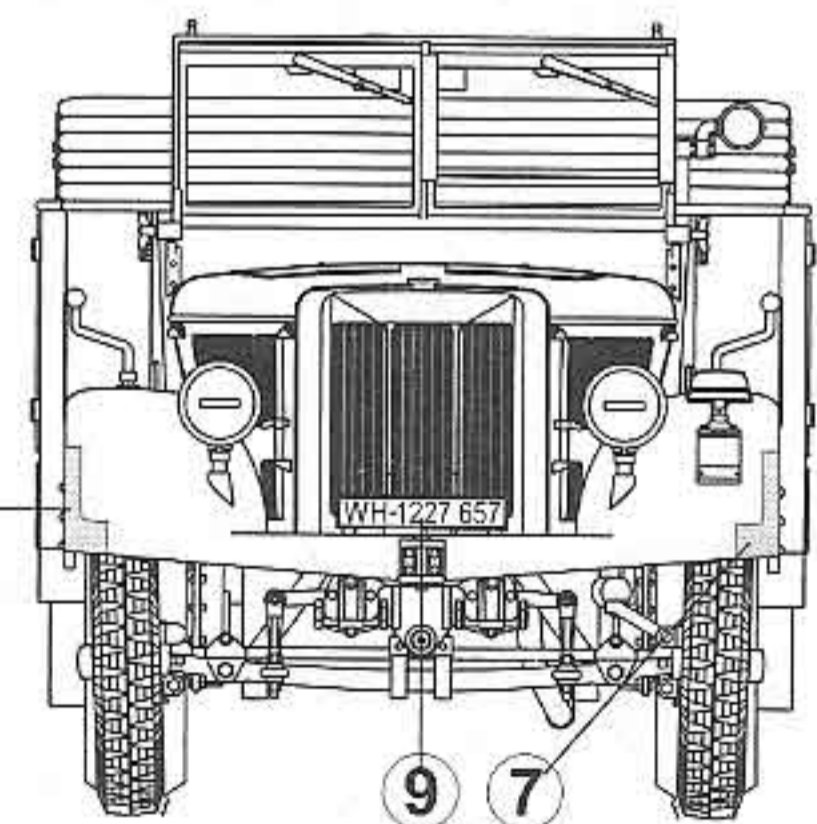
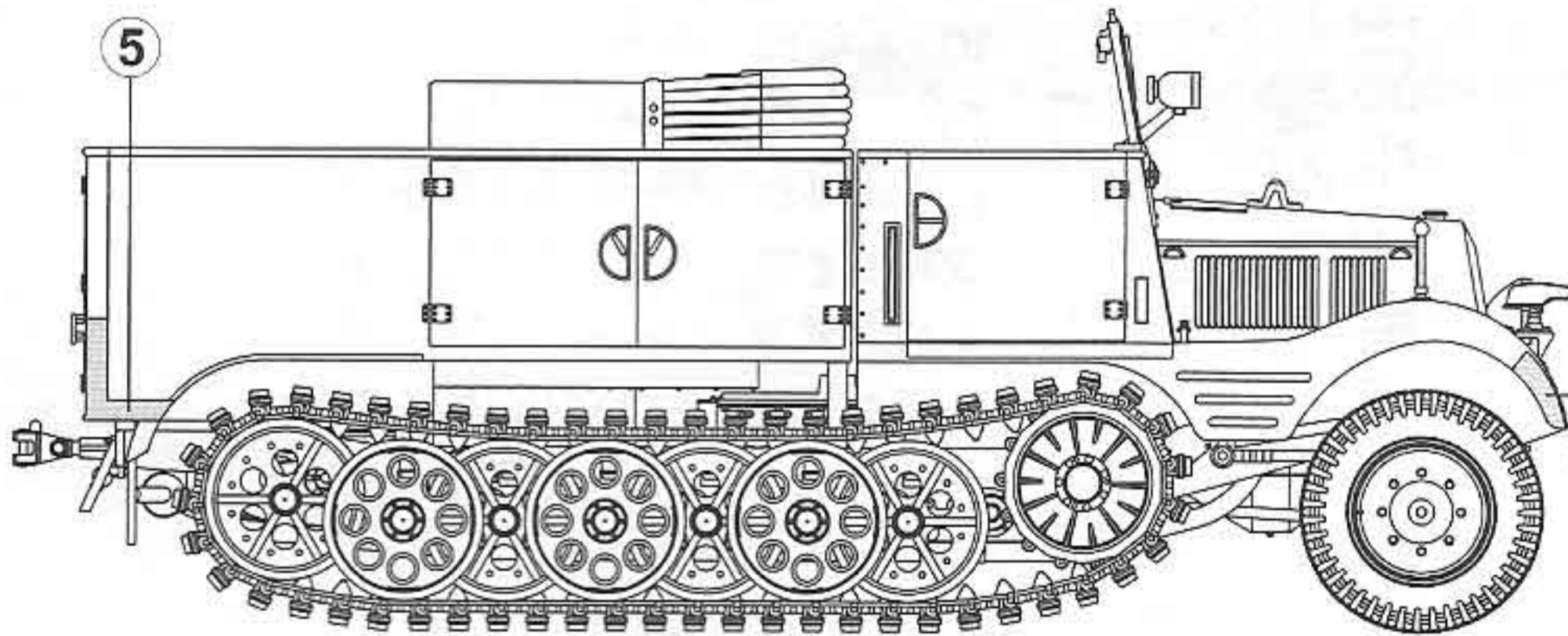
Body Color:  Red Brown
 Dark Yellow



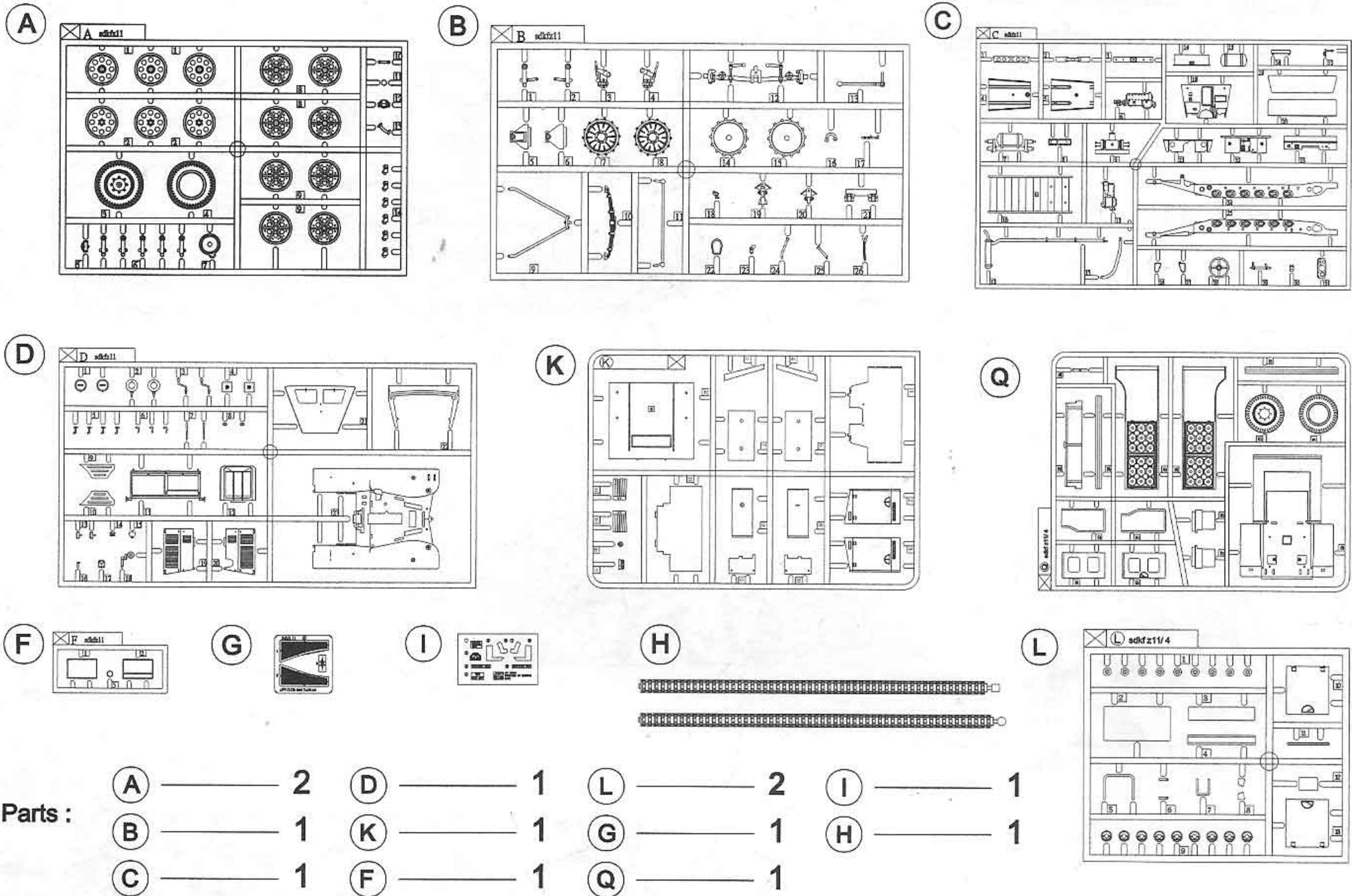
B Eastern Front, Unit unknown

東部戰線, 所屬部隊不明

Body Color: German Gray



PARTS LIST 零件表



Instructions:

If for some reason, you are not fully satisfied or have questions concerning our product; Please use the form provide, and send it to our nearest representative or mail it directly to our office.

We will deal with that A.S.A.P.

AF 35051	
Parts Replacement Form	
<input type="checkbox"/> A parts	<input type="checkbox"/> L parts
<input type="checkbox"/> B parts	<input type="checkbox"/> Q parts
<input type="checkbox"/> C parts	<input type="checkbox"/> K parts
<input type="checkbox"/> G parts	<input type="checkbox"/> F parts
<input type="checkbox"/> H parts	
<input type="checkbox"/> I parts	
<input type="checkbox"/> D parts	
Reason for replacement:	<input type="checkbox"/> Missing
	<input type="checkbox"/> broken
Signature: _____	

限台灣地區使用 For Taiwanese use only!

總代理：戰鷹企業 客服部收 本公司將盡速為您處理
請將本表與該部品相同金額之郵政匯票一同寄至

	AF 35051	申請人
	零件補充申請表	姓名 地址 電話 : : :
<input type="checkbox"/>	A部品零件 ——— NT\$ 280	
<input type="checkbox"/>	B部品零件 ——— NT\$ 120	
<input type="checkbox"/>	C部品零件 ——— NT\$ 240	
<input type="checkbox"/>	D部品零件 ——— NT\$ 200	
<input type="checkbox"/>	K部品零件 ——— NT\$ 200	
<input type="checkbox"/>	F部品零件 ——— NT\$ 60	
<input type="checkbox"/>	L部品零件 ——— NT\$ 200	
<input type="checkbox"/>	G部品零件 ——— NT\$ 200	
<input type="checkbox"/>	Q部品零件 ——— NT\$ 240	
<input type="checkbox"/>	I部品零件 ——— NT\$ 160	
<input type="checkbox"/>	H部品零件 ——— NT\$ 160	
(請填) 總計 NT\$ _____		
零件補充原因: (請於 <input type="checkbox"/> 打) ✓		
. 原包裝即 <input type="checkbox"/> 遺失或 <input type="checkbox"/> 毀損		
. 製作途中 <input type="checkbox"/> 遺失或 <input type="checkbox"/> 毀損		
. <input type="checkbox"/> 補充多餘零件		
. 其他原因 _____		