

ACADEMY

HOBBY MODEL KITS



F-15E STRIKE EAGLE

1/72nd SCALE

• Fully Engraved Panel Lines. • Raised And Lowered Air Intakes. • Includes Fully Detailed Exhaust Cones And "Turkey Feathers"
• Full Complement Under-wing Weaponry.

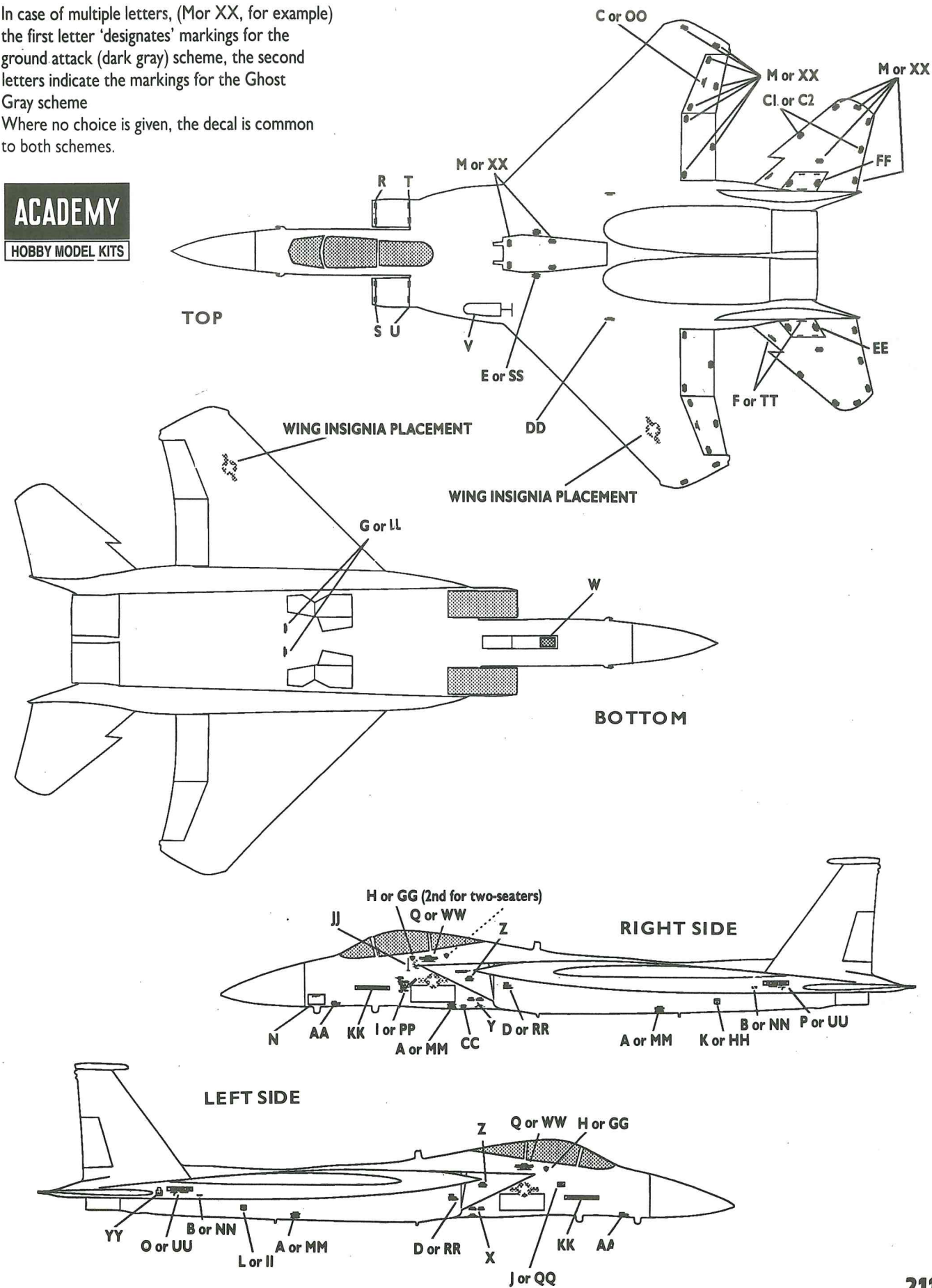
© 2000 Academy Model Kits, Inc. All rights reserved. This model kit is not to be used for commercial purposes. The name of the manufacturer and the name of the model kit are trademarks of Academy Model Kits, Inc.

Location of data decals on the F-15

In case of multiple letters, (Mor XX, for example) the first letter 'designates' markings for the ground attack (dark gray) scheme, the second letters indicate the markings for the Ghost Gray scheme

Where no choice is given, the decal is common to both schemes.

ACADEMY
HOBBY MODEL KITS



2110



McDONNELL DOUGLAS F-15E STRIKE-EAGLE

1/72 Scale

Although the F-15 Eagle was designed specifically for the dog fighting role, its great versatility has led to the development of a dedicated ground attack aircraft which retaining the exceptional performance characteristics of the fighter version. The F-15E is an expansion of the two-seat F-15B trainer model of the Eagle. Among the most noticeable features of the F-15E are a pair of bulbous external fuel tanks which are blended between the wings and fuselage sides. These huge tanks carry enough fuel to nearly double the normal amount carried by the basic F-15. In addition these conformal tanks contain sensors and tactical systems, and are called FAST packs. This stands for Fuel And Sensor, Tactical.

The first Strike Eagle was modified from the prototype F-15B and flew against the General Dynamics F-16XL in a competition for an Enhanced Tactical Fighter. Although its primary objectives would be ground targets, the Strike Eagle would still be capable of engaging in a dogfight if necessary.

The Eagle's twin Pratt & Whitney F100 afterburning turbofans produce 10,000 more pounds of thrust than the weight of the plane. This allows the F-15 to maneuver tightly without sacrificing precious airspeed. The Eagle carries one 20mm rotary cannon as standard equipment, but eight hardpoints can carry an enormous variety of additional weaponry to enhance the combat abilities of the plane.

ENGLISH	FRENCH	GERMAN	SPANISH	ITALIAN
WHITE	BLANCO	WEISS	BLANC	BIANCO
YELLOW	JAUNE	GELB	AMARILLO	GIALLO
RED	ROUGE	ROT	ROJO	ROSSO
BLUE	BLEU	BLAU	AZUL	BLU
GRAY	GRIS	GRAU	GRIS	GRIGIO
GUNMETAL	METALLIC	METALLIC	METALICO	METALLICO
GREEN	VERT	GRUN	VERDE	VERDE
SILVER	ARGENT	SILBERN	PLATA	ARGENTO
BLACK	NOIR	SCHWARZ	NEGRO	NERO
ORANGE	ORANGE	ORANGE	NARANJADO	ARANCIO
AMBER	AMBRE	BERNSTEINFARBEN	AMBAR	AMBRA
ALUMINUM	ALUMINUM	ALUMINUMFARBEN	ALUMINIO	ALLUMINIO
GLOSS	LUSTRE	GLANZENDES	BRILLANTE	BRILLANTE
FLAT	TERNE	GLANZLOSES	APAGADO	OPACO

Copyright 1991 Academy Plastic Model Co., Ltd.
273-64, Suyu-dong, Kangbuk-ku, Seoul, Korea FAX: 82-2-997-3003

2110



Cement Parts
Coller
Kleben
Pegar
Incollare
Colar
Kleven



DO NOT cement
Ne pas coller
Nicht kleben
No pegar
Non incollare
Nao colar
Niet kleven



Cut away
Couper
Scheiden
Cortar
Tagliare
Cortar
Snijden



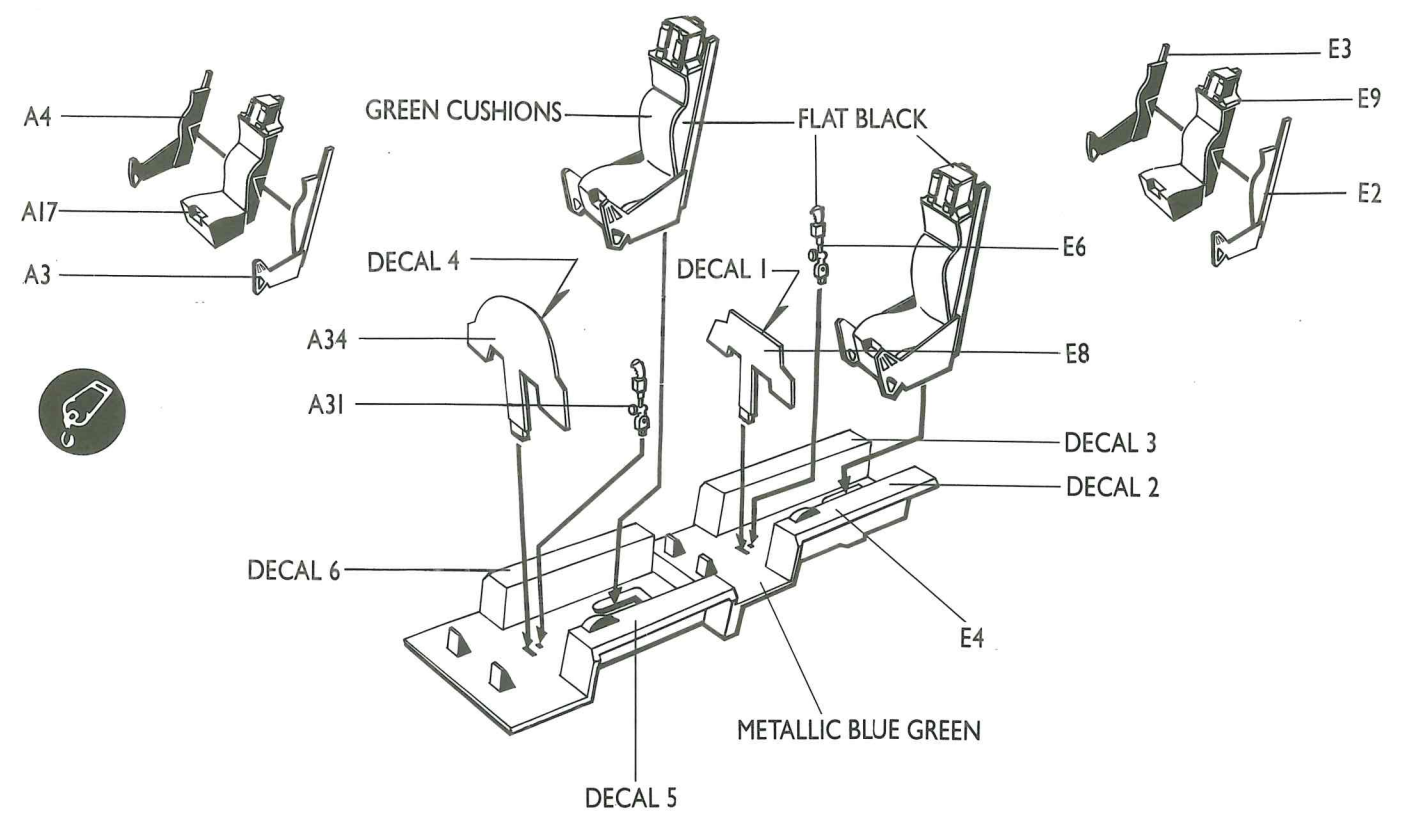
Optional parts
Choix
Auswahlmöglichkeit
Eleccion
Scelta
Opcao
Keuze



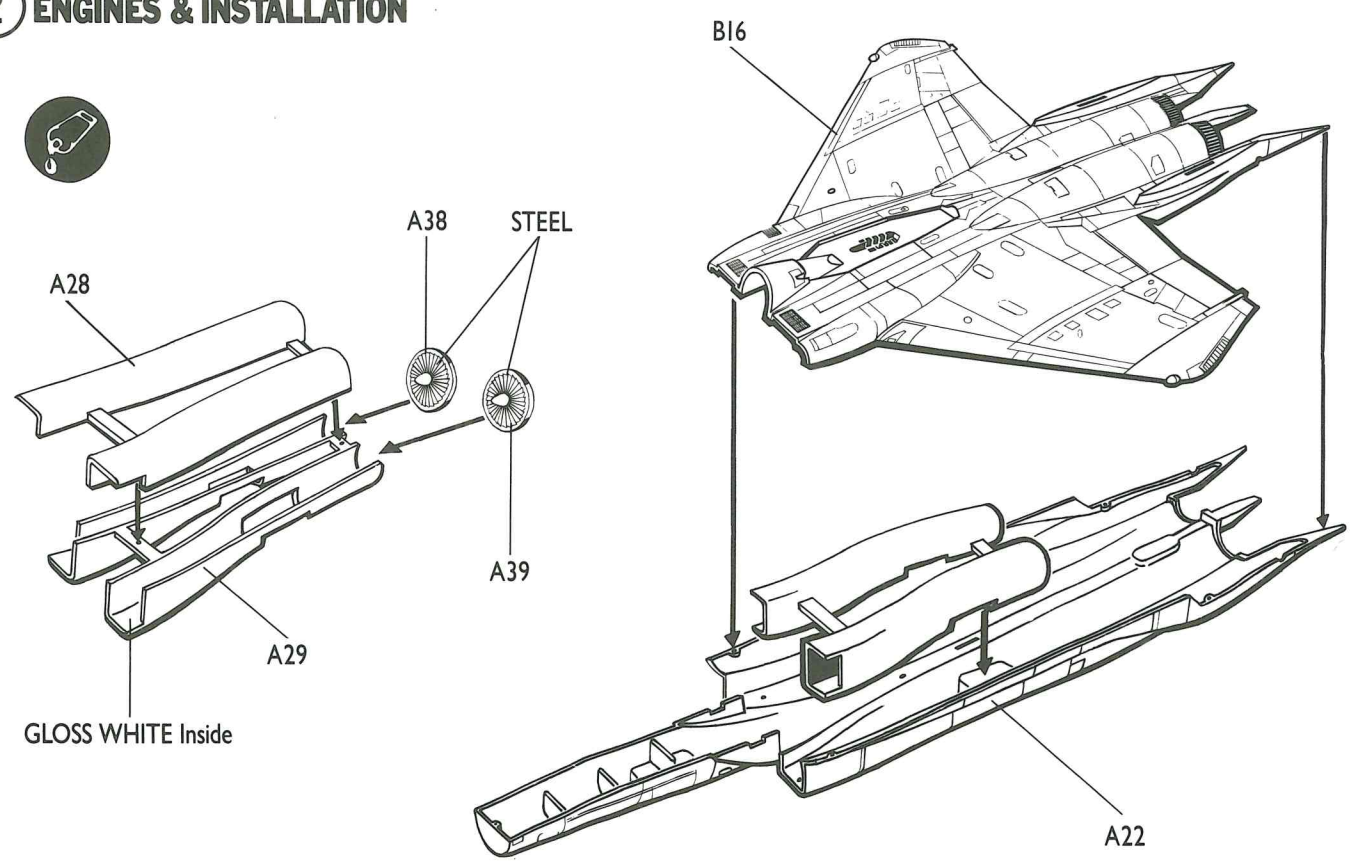
Repeat operation
Répéter l'opération
Vorgang wiederholen
Repitir la operacion
Ripetere
Repitir a operacao
Herhalen

3

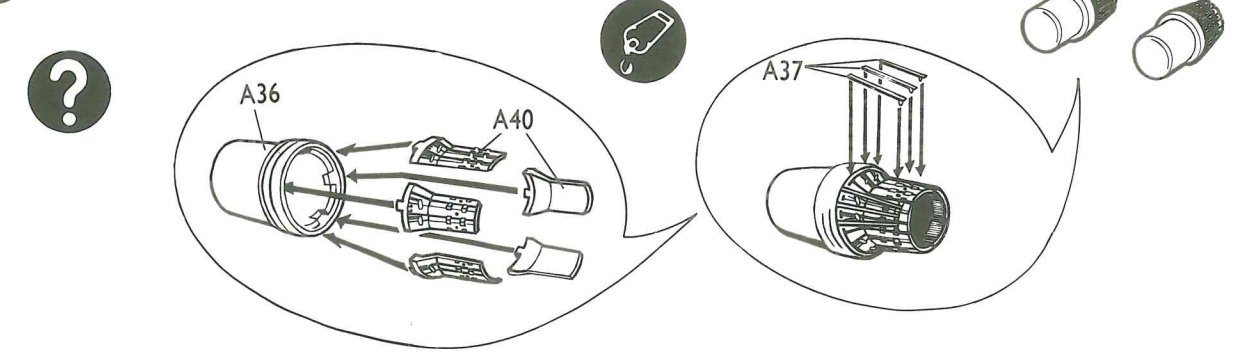
1 EJECTION SEATS & COCKPIT



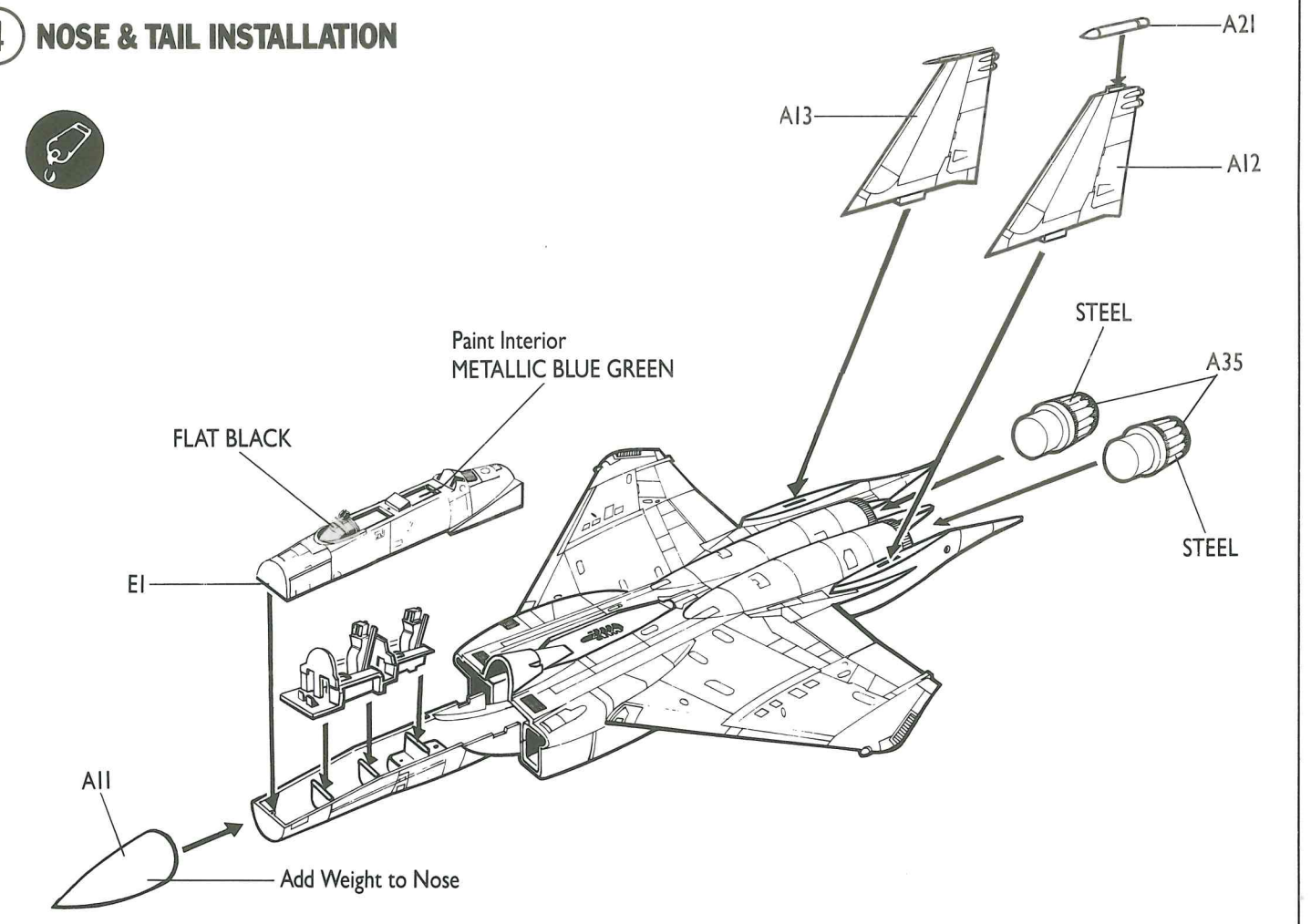
2 ENGINES & INSTALLATION



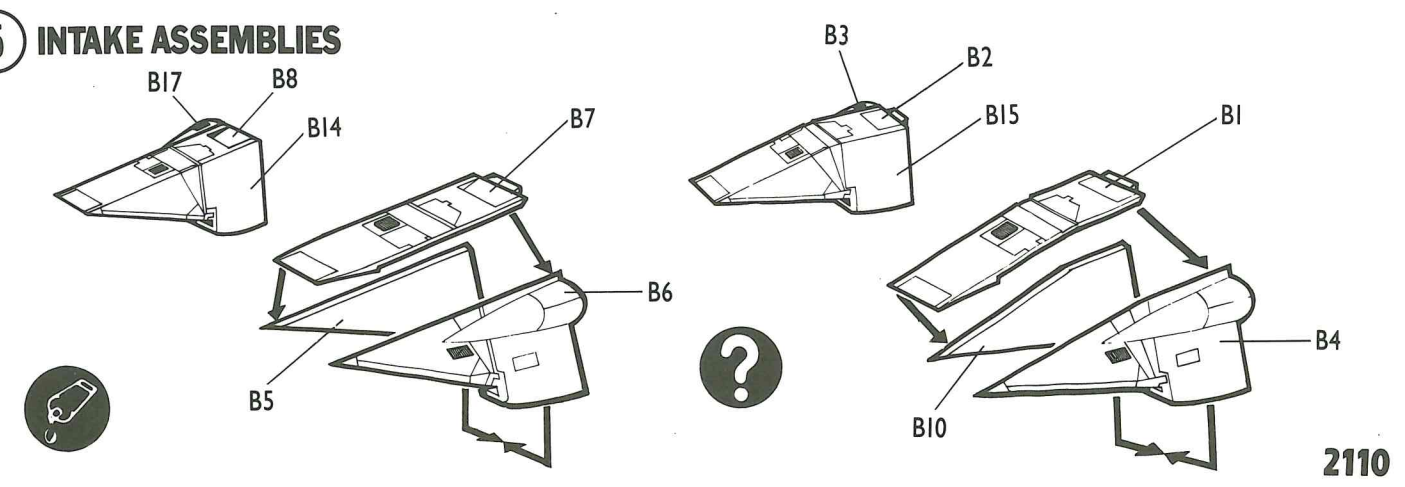
3 AFTERBURNERS



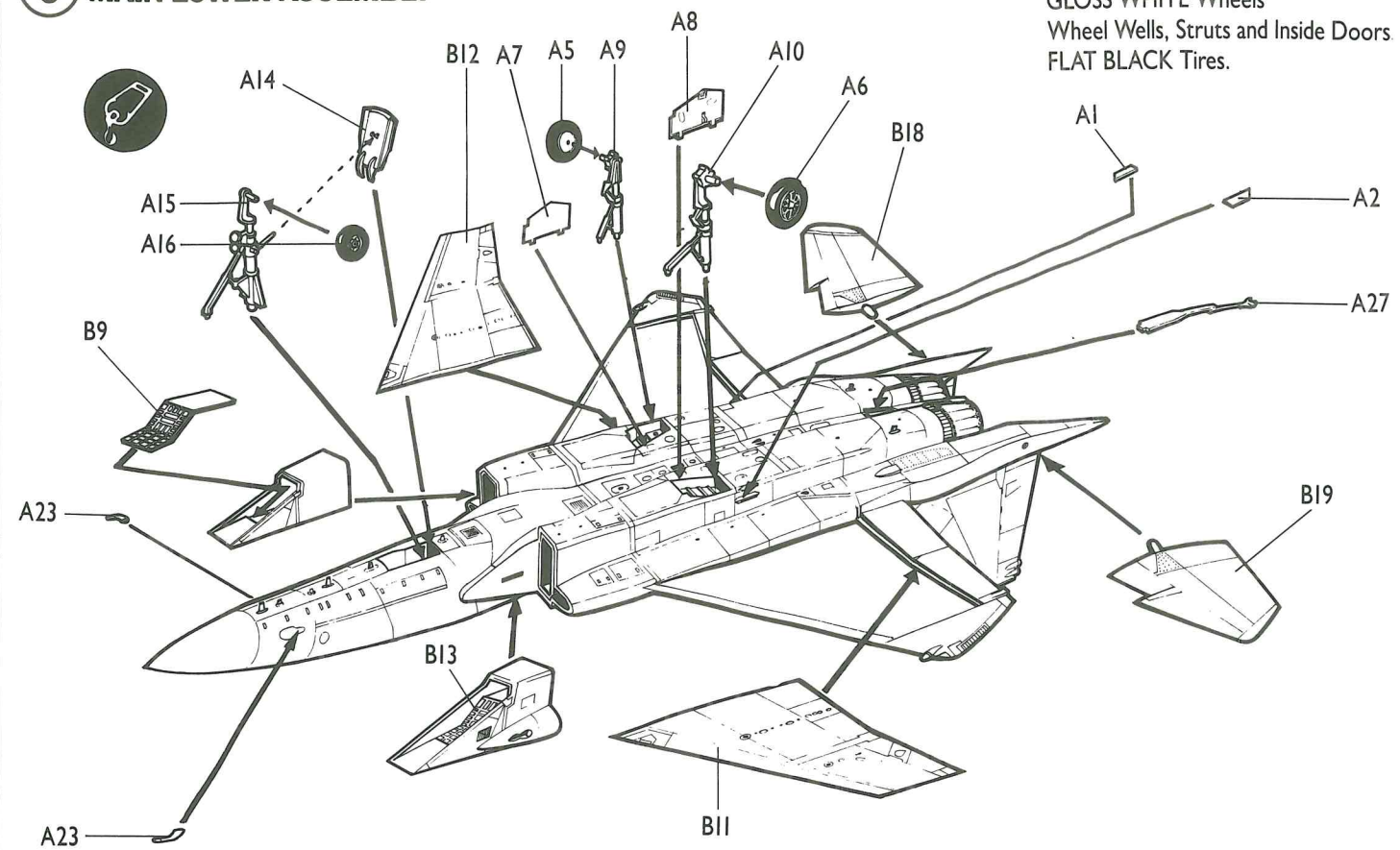
4 NOSE & TAIL INSTALLATION



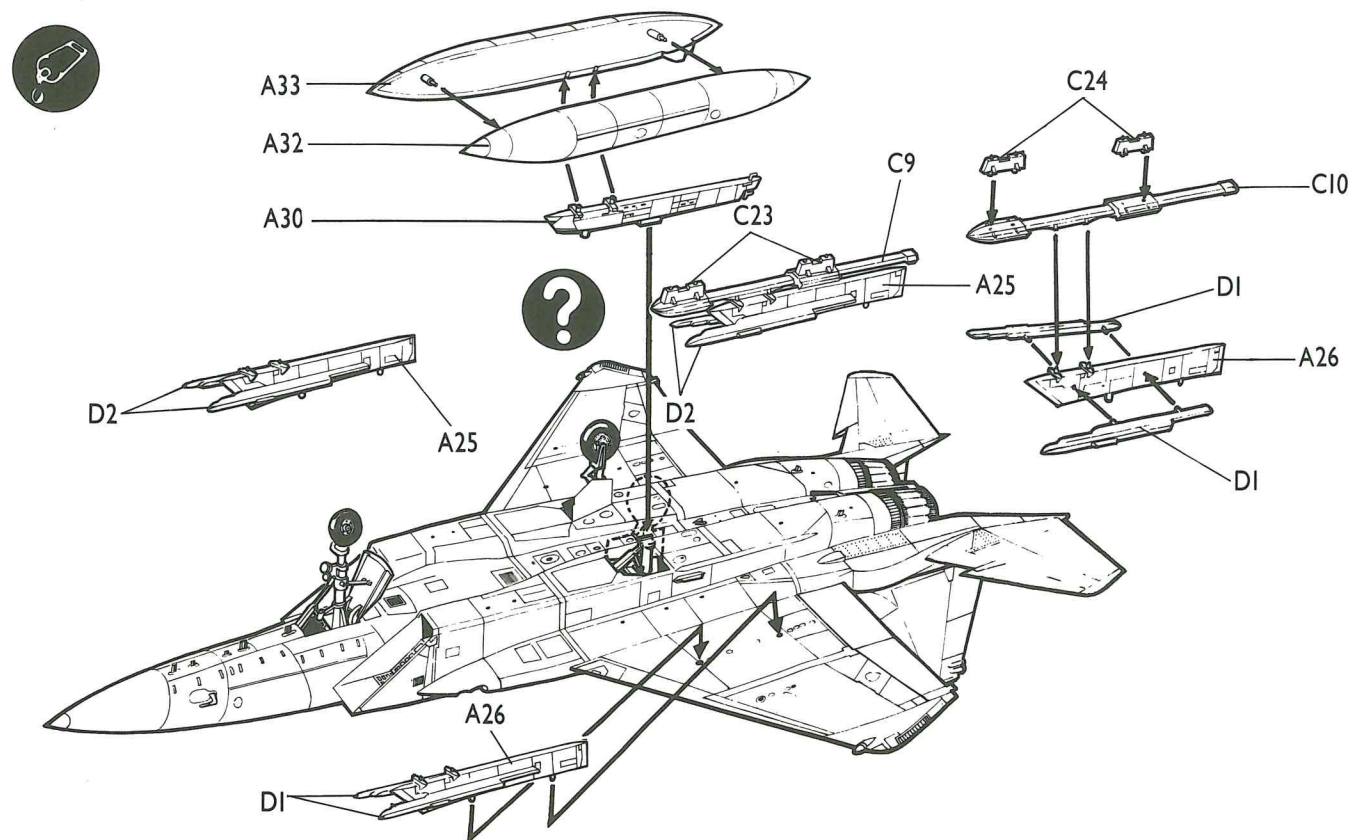
5 INTAKE ASSEMBLIES



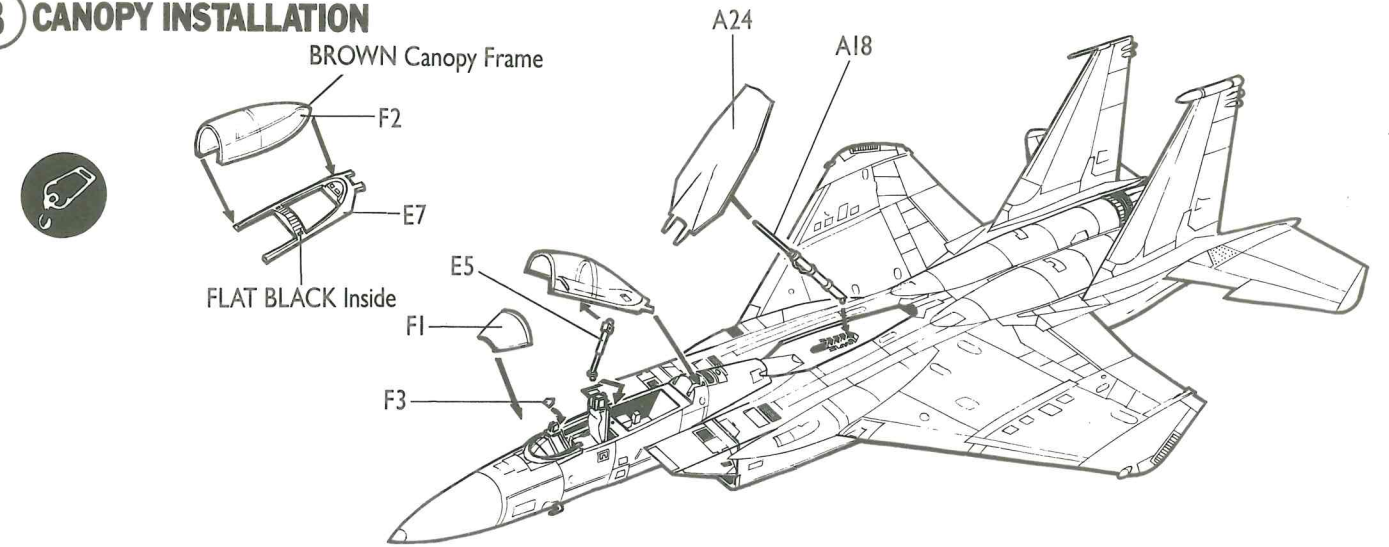
6 MAIN LOWER ASSEMBLY



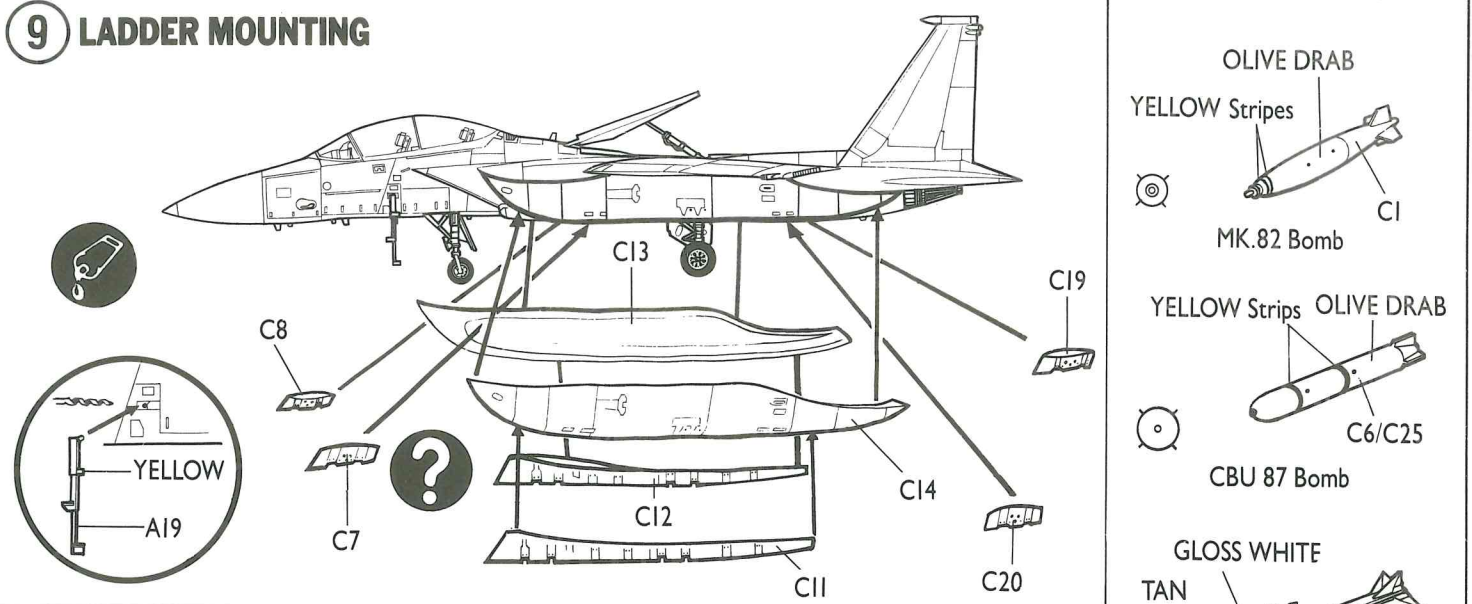
7 PYLON MOUNTING



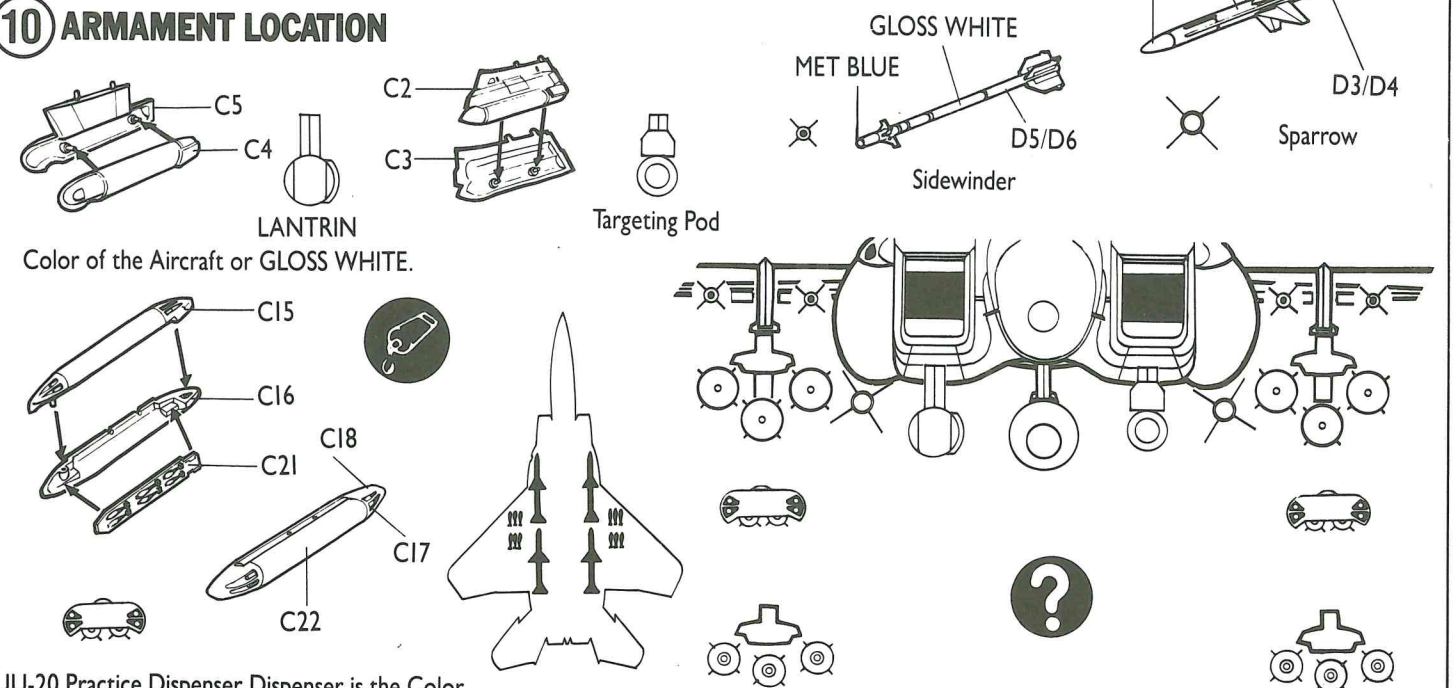
8 CANOPY INSTALLATION



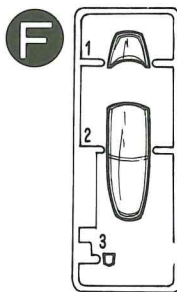
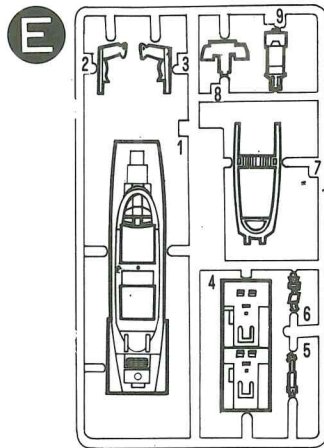
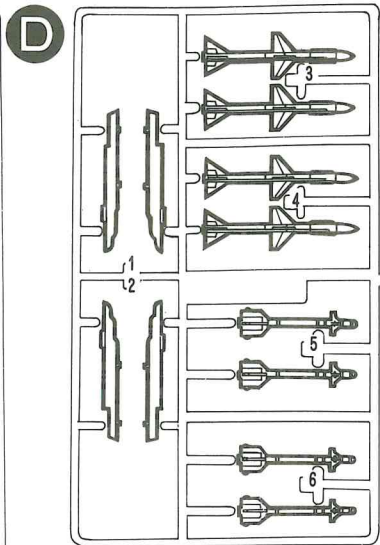
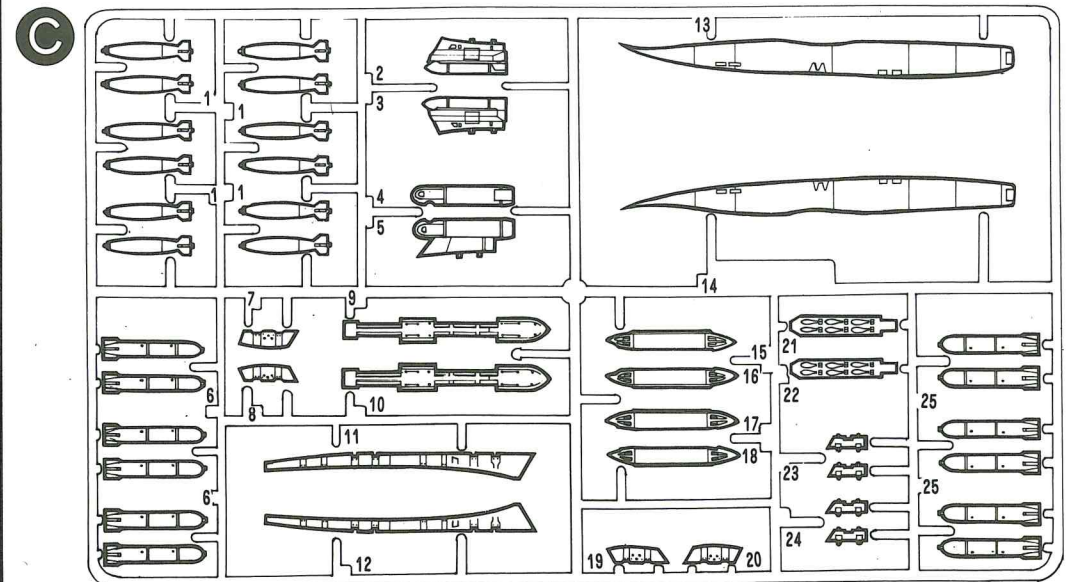
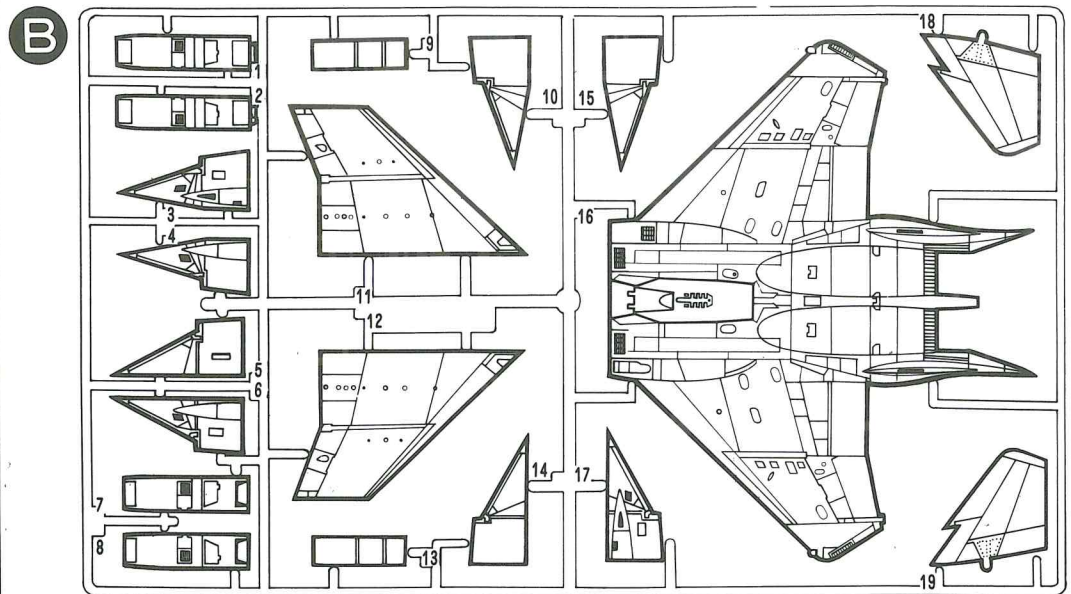
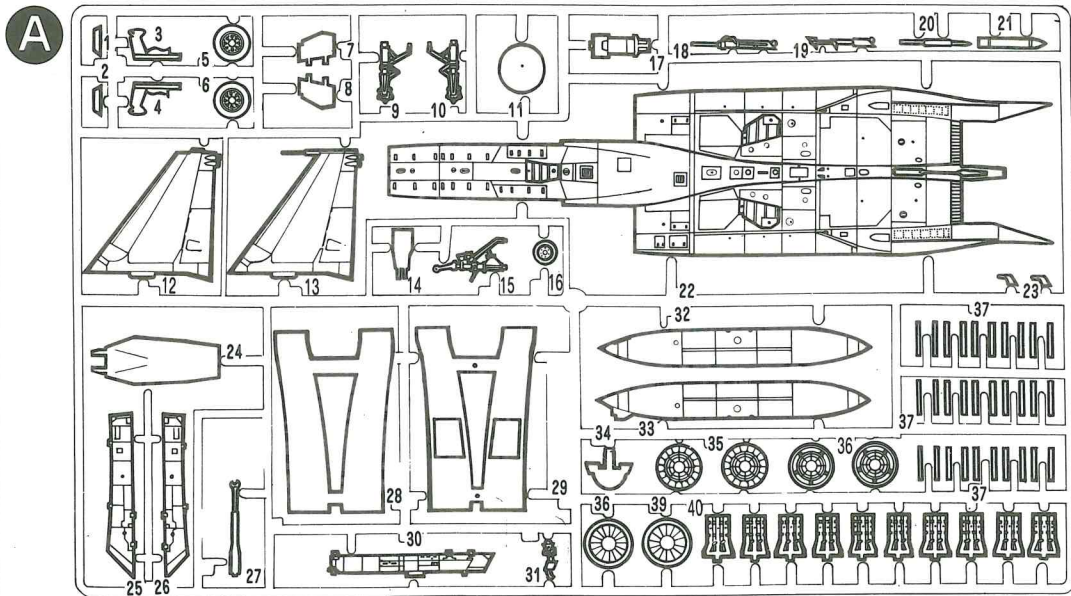
9 LADDER MOUNTING



10 ARMAMENT LOCATION



PARTS LOCATING DIAGRAM

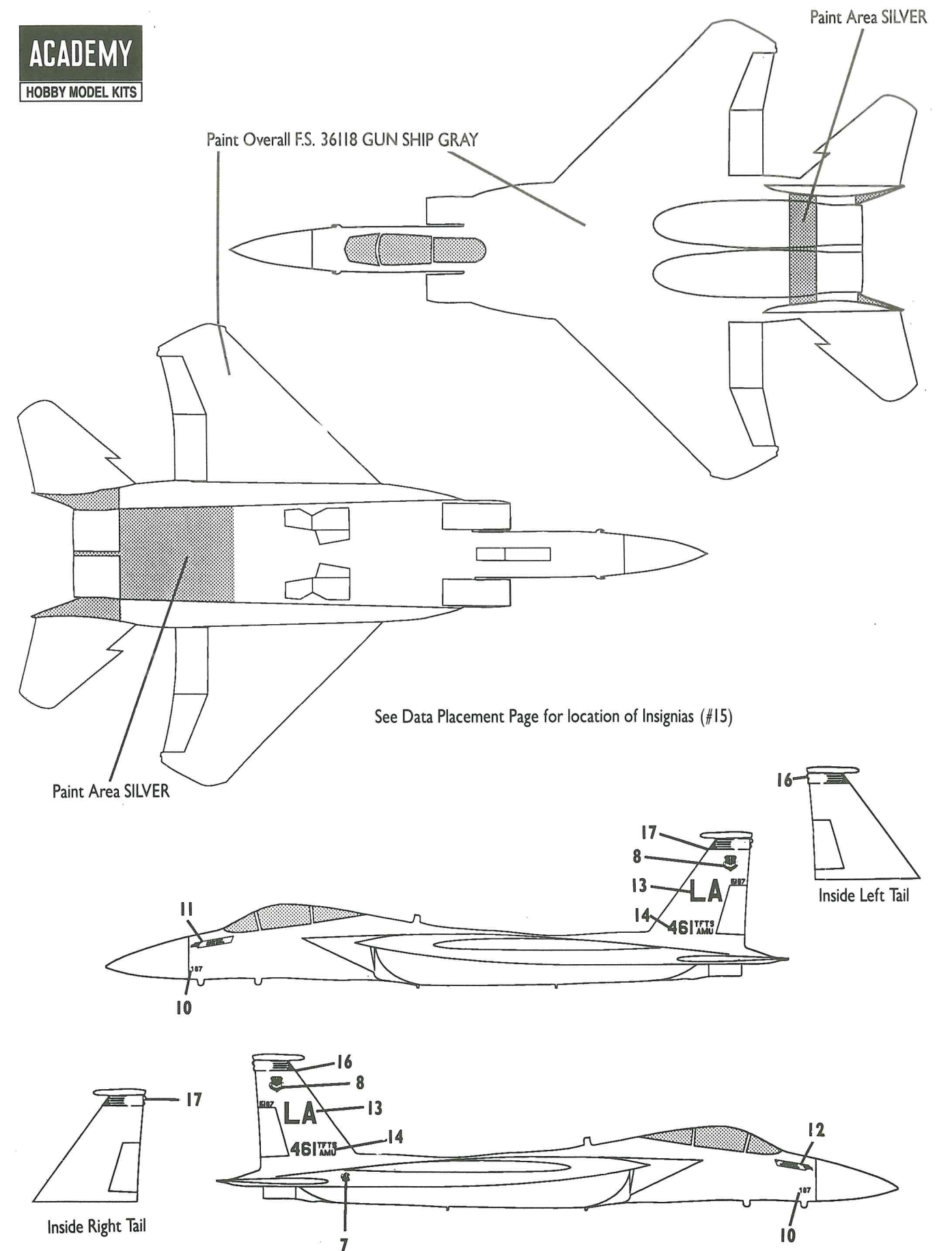


ACADEMY
HOBBY MODEL KITS

2110

PAINTING AND DECAL PLACEMENT

ACADEMY
HOBBY MODEL KITS



ACADEMY
HOBBY MODEL KITS

2110