

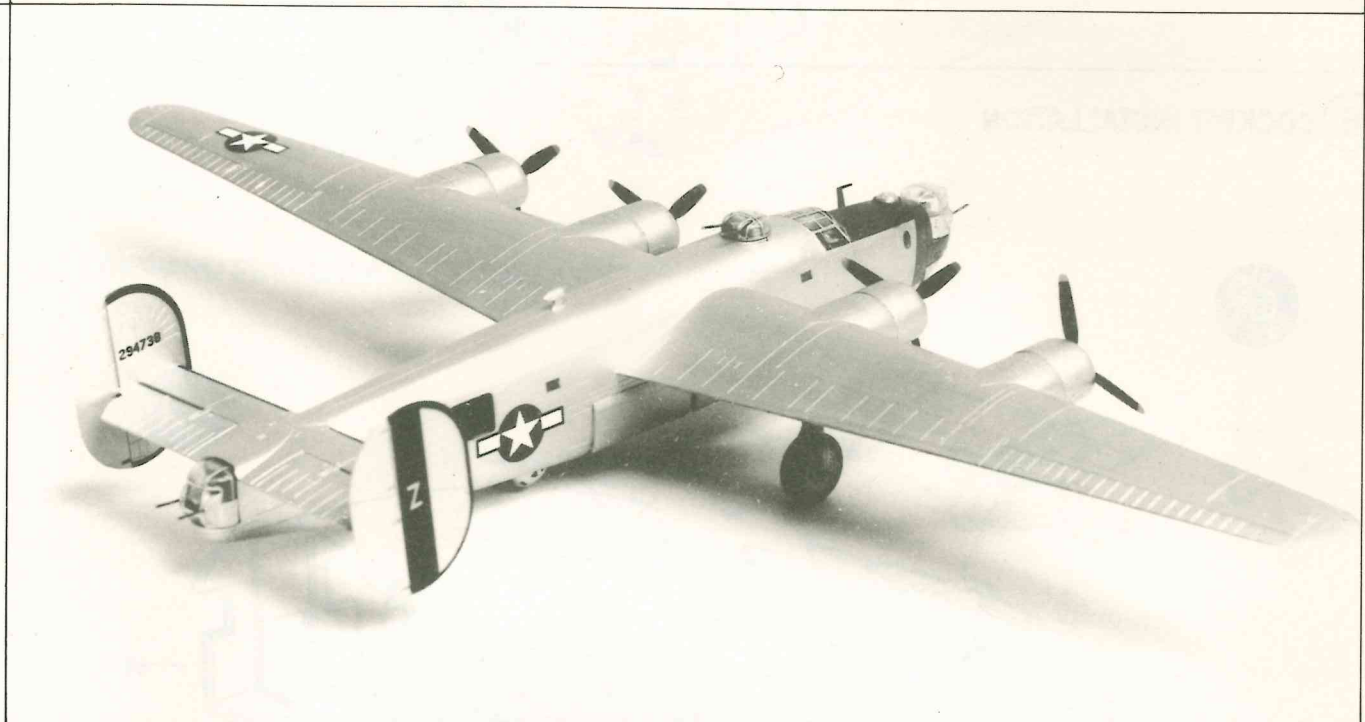
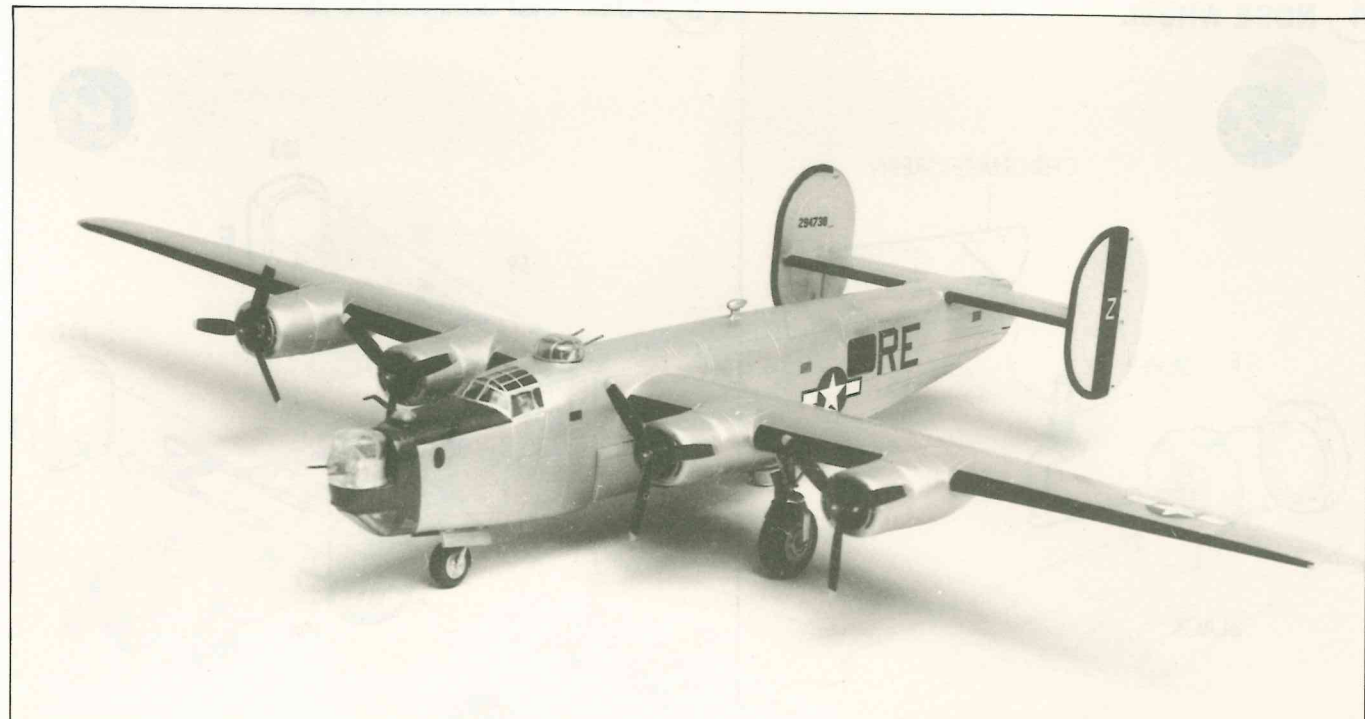
CONSOLIDATED-VULTEE

# B-24H LIBERATOR

ACADEMY  
MINICRAFT  
MODEL KITS



1/72nd SCALE



1693



1693

# CONSOLIDATED B-24H LIBERATOR

**ACADEMY  
MINICRAFT  
MODEL KITS**

Consolidated Aircraft Company had been experimenting with a narrow, highlift wing for large aircraft in 1938. It was already flying on a proposed civil flying boat project, known as the Model 31 when the USAAF asked them to design a heavy bomber with performance exceeding the new B-17 Flying Fortress.

Their new bomber was designed using the wing and tail arrangement of the Model 31. Designated XB-24, the new bomber looked so promising on paper that the Air Corps ordered seven YB-24's and another 31 planes were on the books before the XB-24 had even flown. Eventually, the B-24 was named Liberator and went on to become the most widely produced American bomber in World War II. One of the reasons for the large quantity of B-24's to roll from the assembly lines lay in the fact that they were being built by Douglas, Ford and North American.

Consolidated's B-24 was clumsy-looking alongside the slim B-17 Fortress, and it became common for the B-17 crews to refer to the B-24 as "the crate the B-17 was shipped in", but the ponderous shape of the Liberator was the secret of its great bomb load. It was also slightly faster and had a greater range than the Fortress.

The first major modification to the Liberator was found on the twenty-sixth the B-24G which was distinguished by a power turret in the nose, instead of the greenhouse-type used on the earlier versions. This was soon followed by the B-24H, the type depicted by this Minicraft model.

The markings on this model are from the 93rd Bomb Group, of the Fifth Air Force, in England during World War II. Called the "Tomb Raider",

**ACADEMY  
MINICRAFT  
MODEL KITS**

MINICRAFT MODELS, INC.  
P.O. BOX 3577 • TORRANCE, CA 90510

ENGLISH	FRENCH	GERMAN	SPANISH	ITALIAN
WHITE	BLANCO	WEISS	BLANC	BIANCO
YELLOW	JAUNE	GELB	AMARILLO	GIALLO
RED	ROUGE	ROT	ROJO	ROSSO
BLUE	BLEU	BLAU	AZUL	BLU
GRAY	GRIS	GRAU	GRIS	GRIGIO
GUNMETAL	METALLIC	METALLIC	METALICO	METALLICO
GREEN	VERT	GRUN	VERDE	VERDE
SILVER	ARGENT	SILBERN	PLATA	ARGENTO
BLACK	NOIR	SCHWARZ	NEGRO	NERO
ORANGE	ORANGE	ORANGE	NARANJADO	ARANCIO
AMBER	AMBRE	BERNSTEINFARBEN	AMBAR	AMBRA
ALUMINUM	ALUMINUM	ALUMINUMFARBEN	ALUMINIO	ALLUMINIO
GLOSS	LUSTRE	GLANZENDES	BRILLANTE	BRILLANTE
FLAT	TERNE	GLANZLOSES	APAGADO	OPACO



Cement Parts  
Coller  
Kleben  
Pegar



DO NOT cement  
Ne pas coller  
Nicht kleben  
No pegar



Cut away  
Couper  
Scheiden  
Cortar

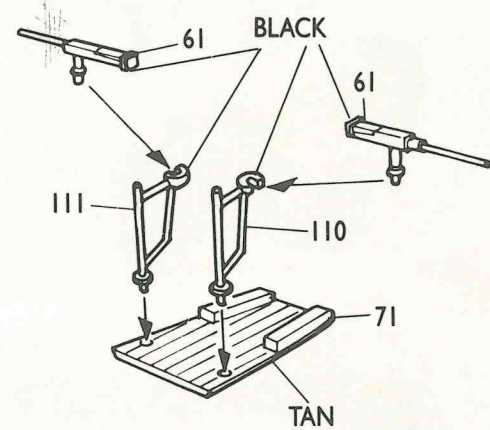


Optional parts  
Choix  
Auswahlmöglichkeit  
Flección

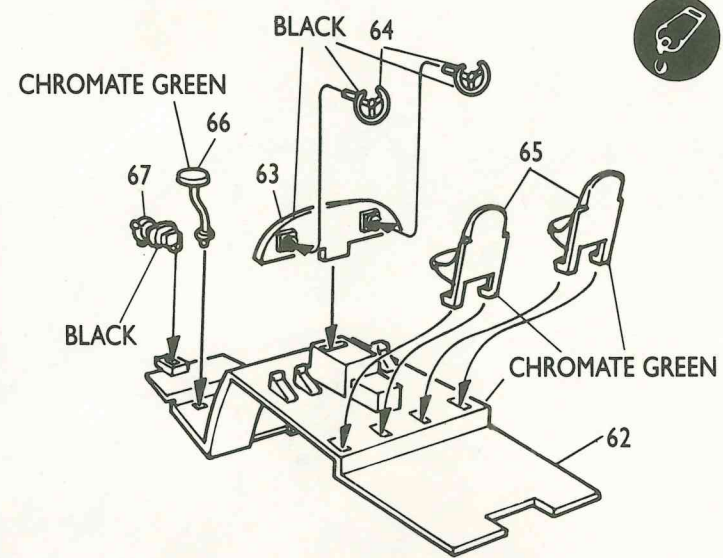


Repeat operation  
Répéter l'opération  
Vorgang wiederholen  
Repetir la operación

### 1 GUN ASSEMBLY



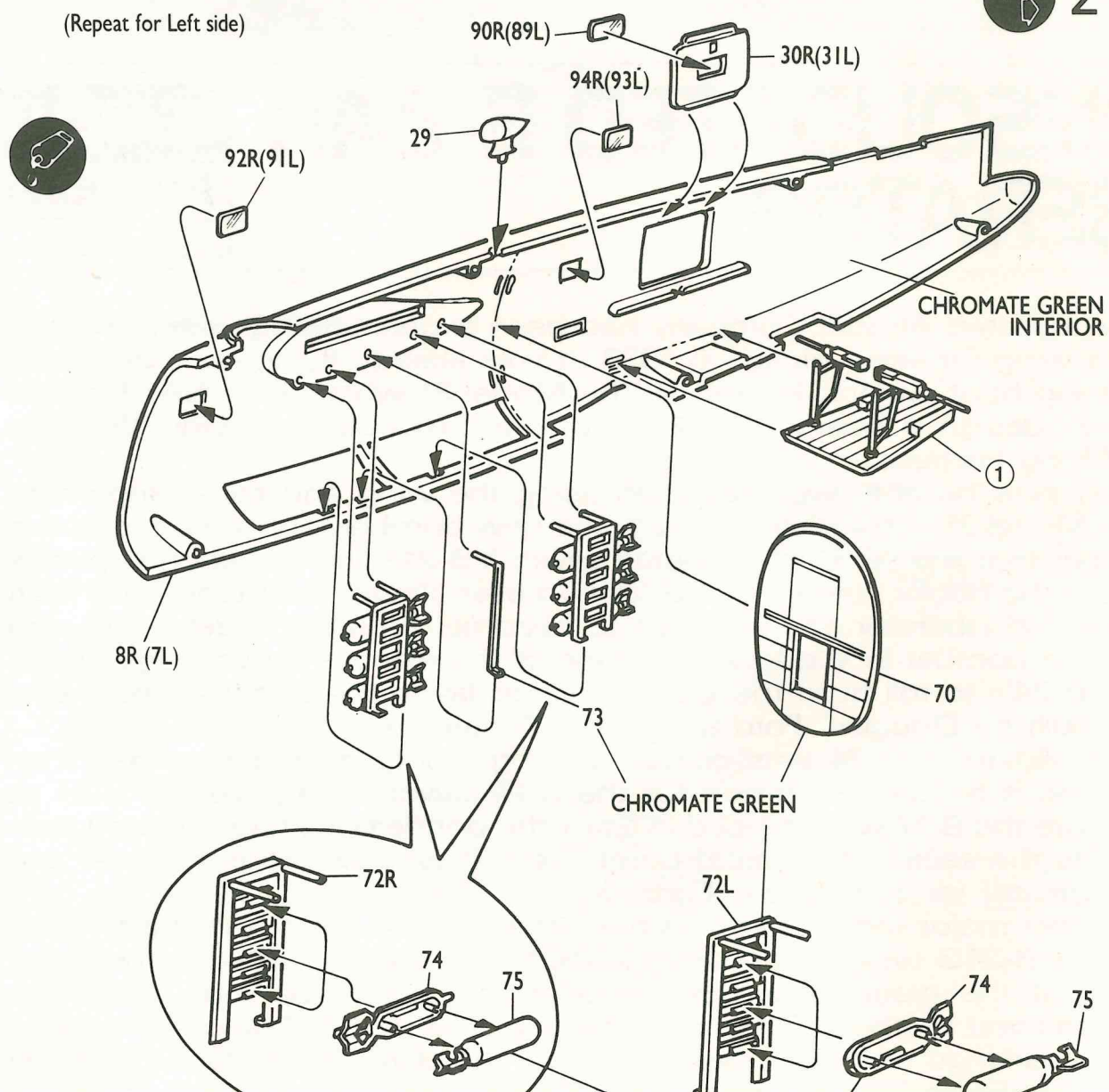
### 2 COCKPIT



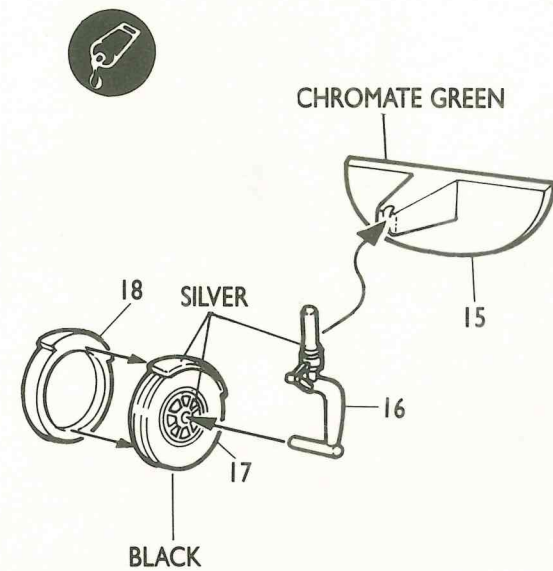
### 3 FUSELAGE INTERIOR

(Repeat for Left side)

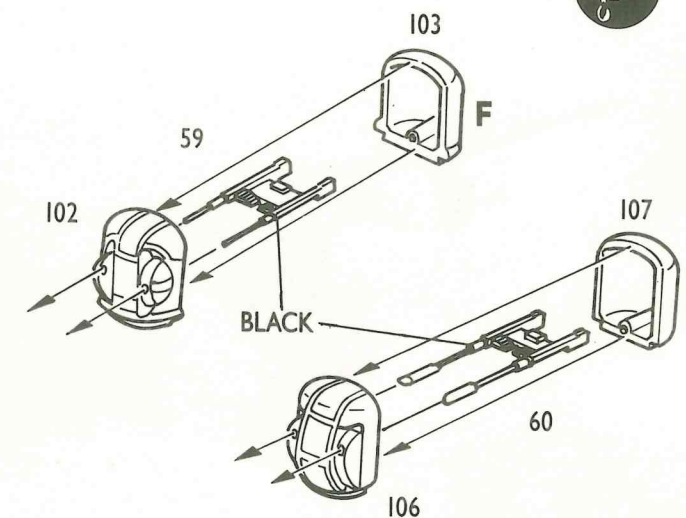
2



### 4 NOSE WHEEL

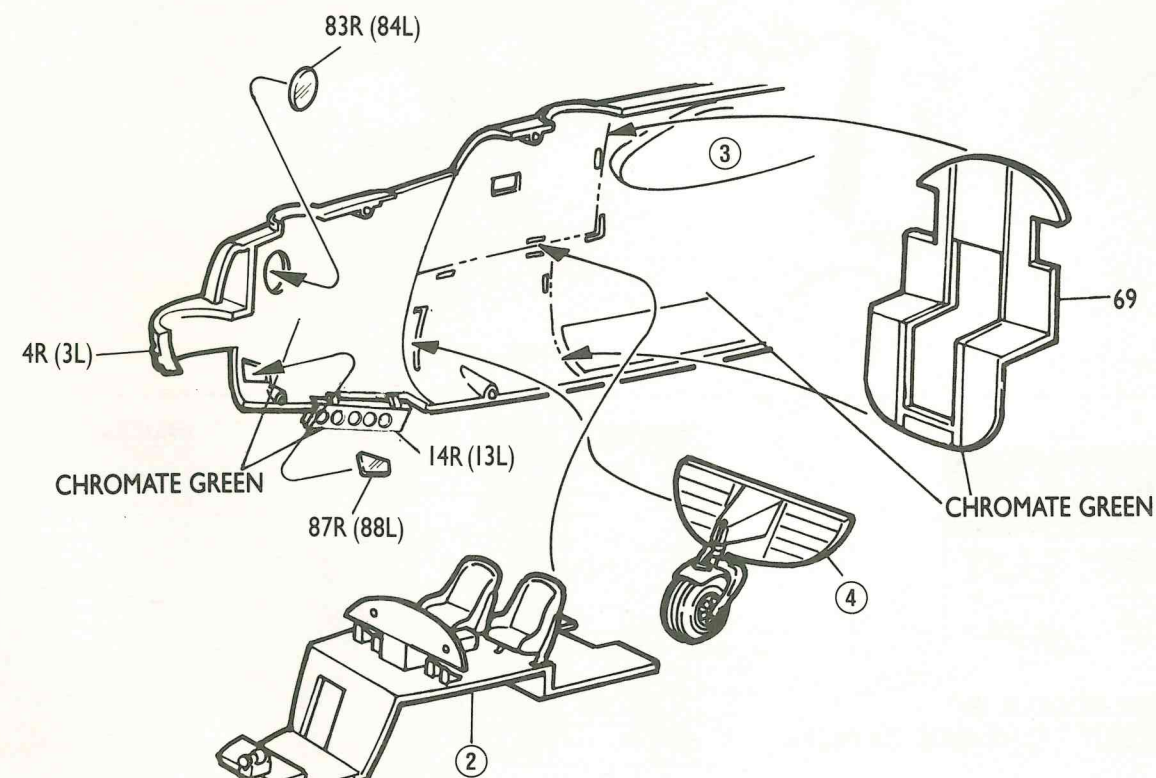


### 5 NOSE AND TAIL TURRETS

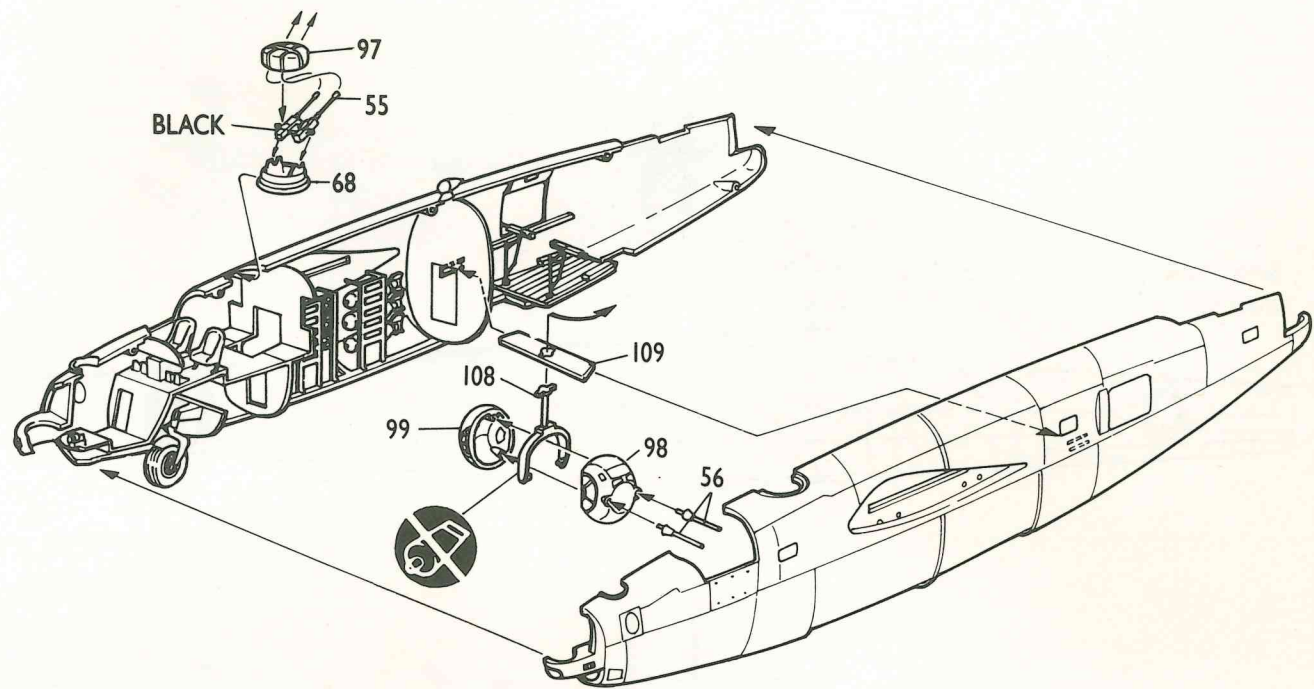


### 6 COCKPIT INSTALLATION

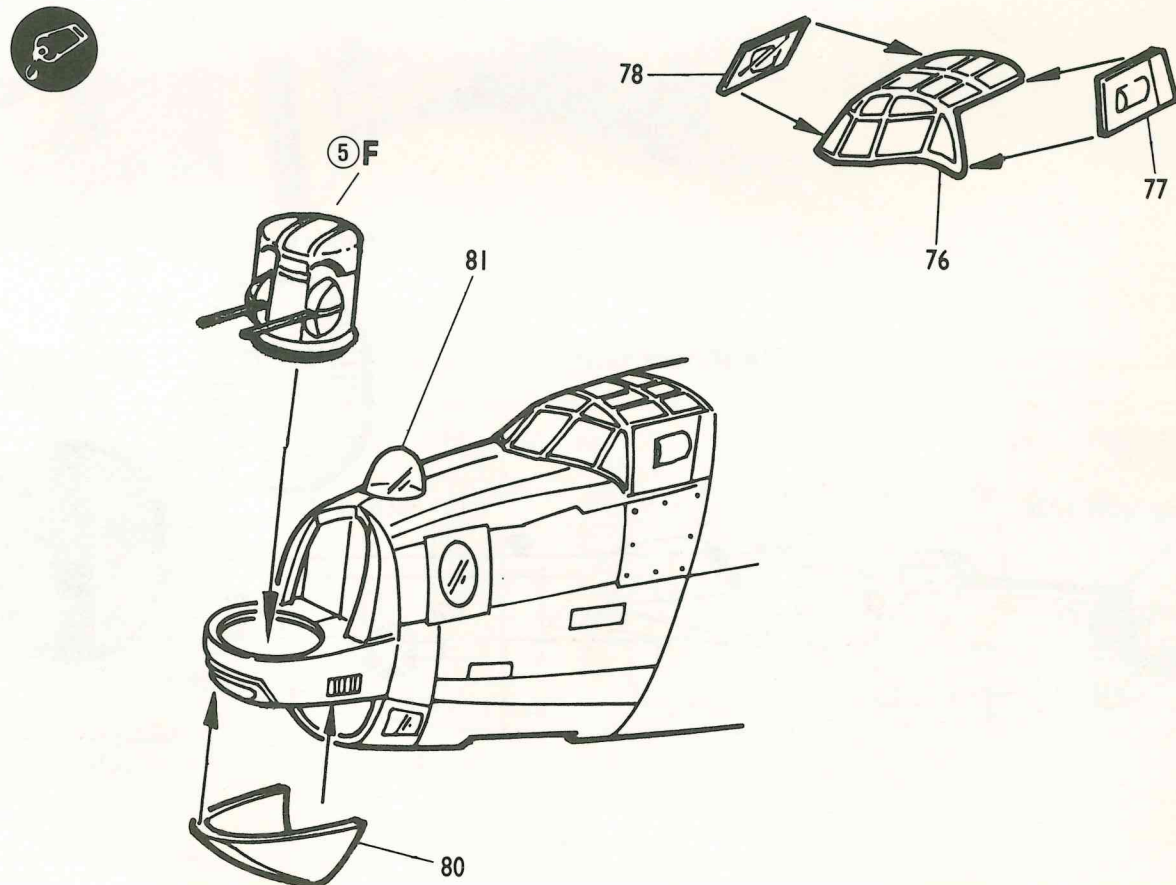
(Repeat for Left side)



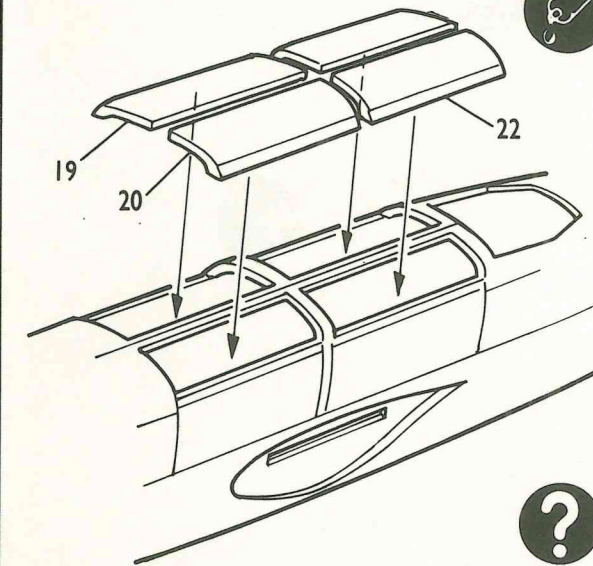
**7 MAIN FUSELAGE ASSEMBLY**



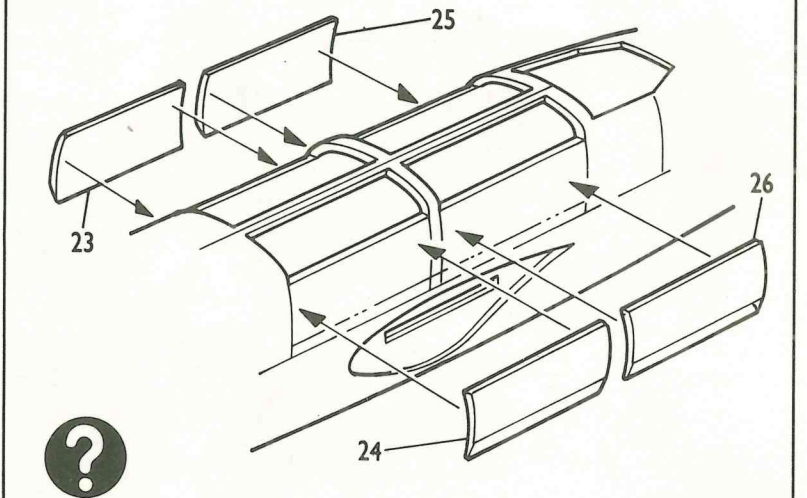
**8 FORWARD FUSELAGE ASSEMBLY**



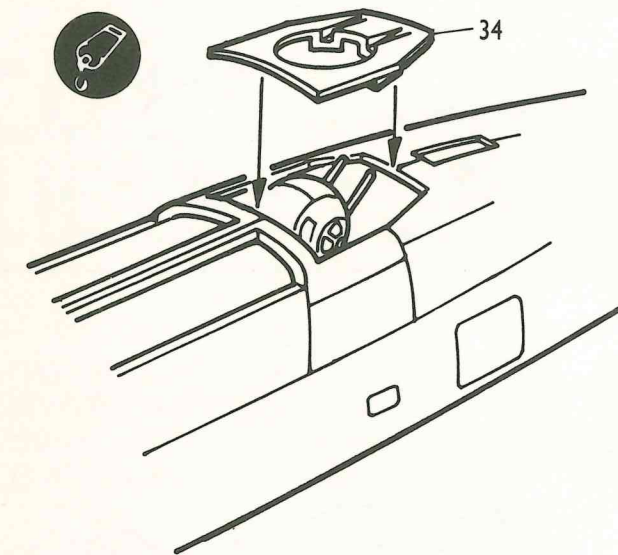
**9 BOMB BAY DOORS (CLOSED)**



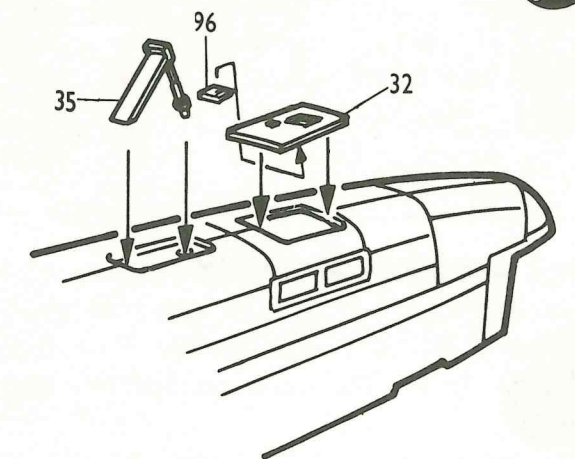
**10 BOMB BAY DOORS (OPEN)**



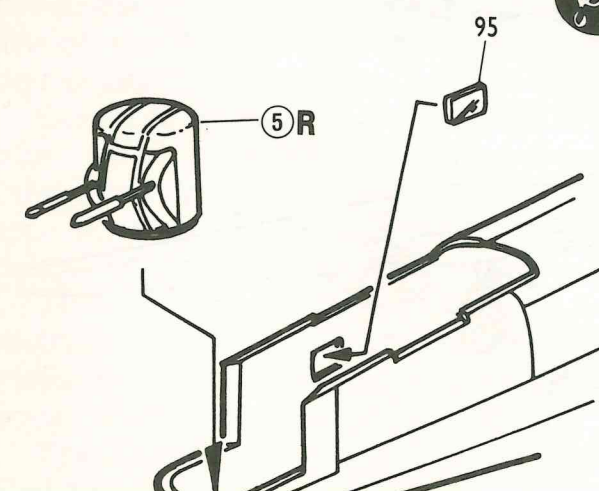
**11 LOWER PANEL**



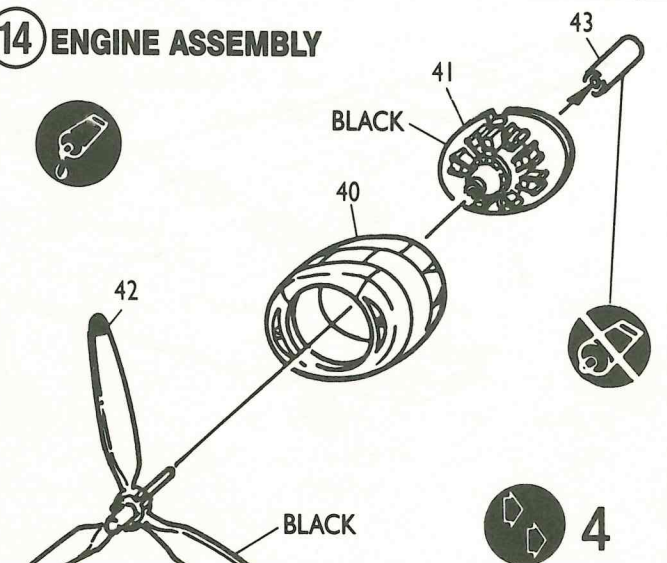
**12 LOWER REAR FUSELAGE**



**13 REAR TURRET INSTALLATION**

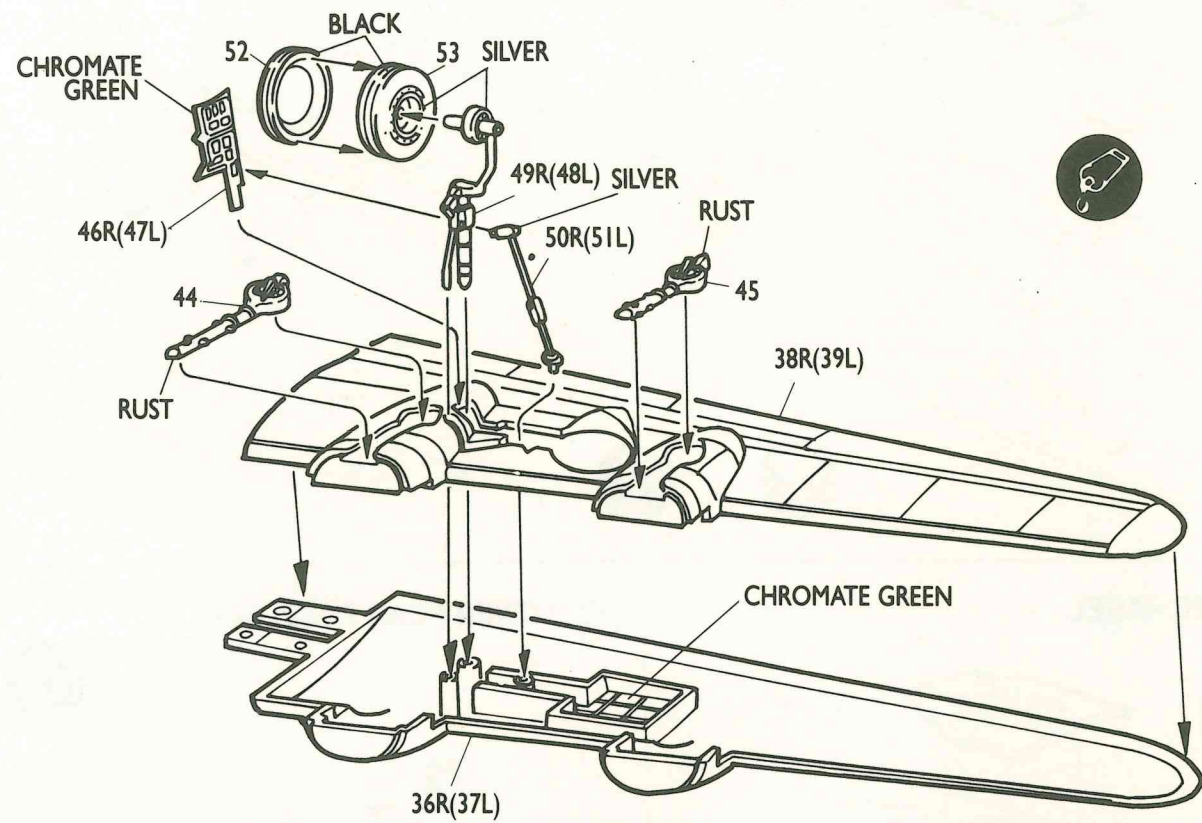


**14 ENGINE ASSEMBLY**

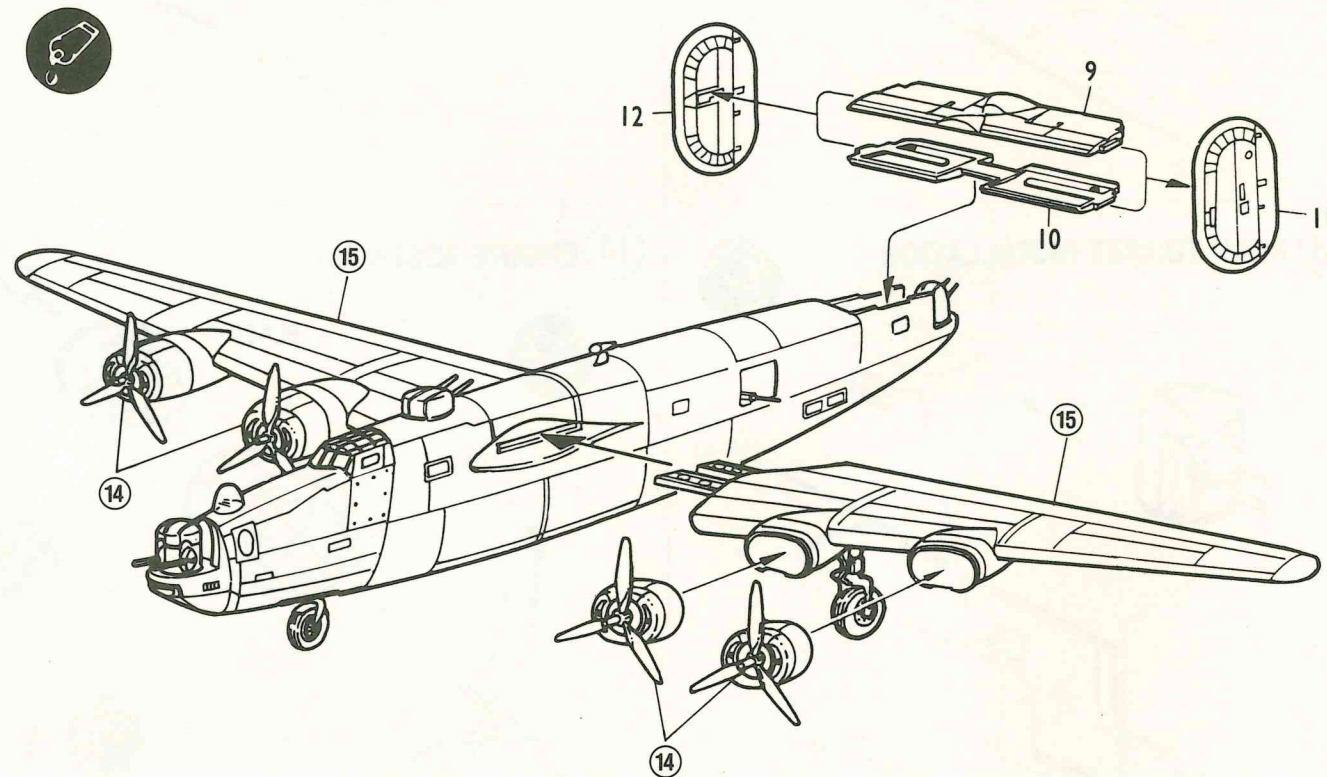


**15 WING ASSEMBLY**

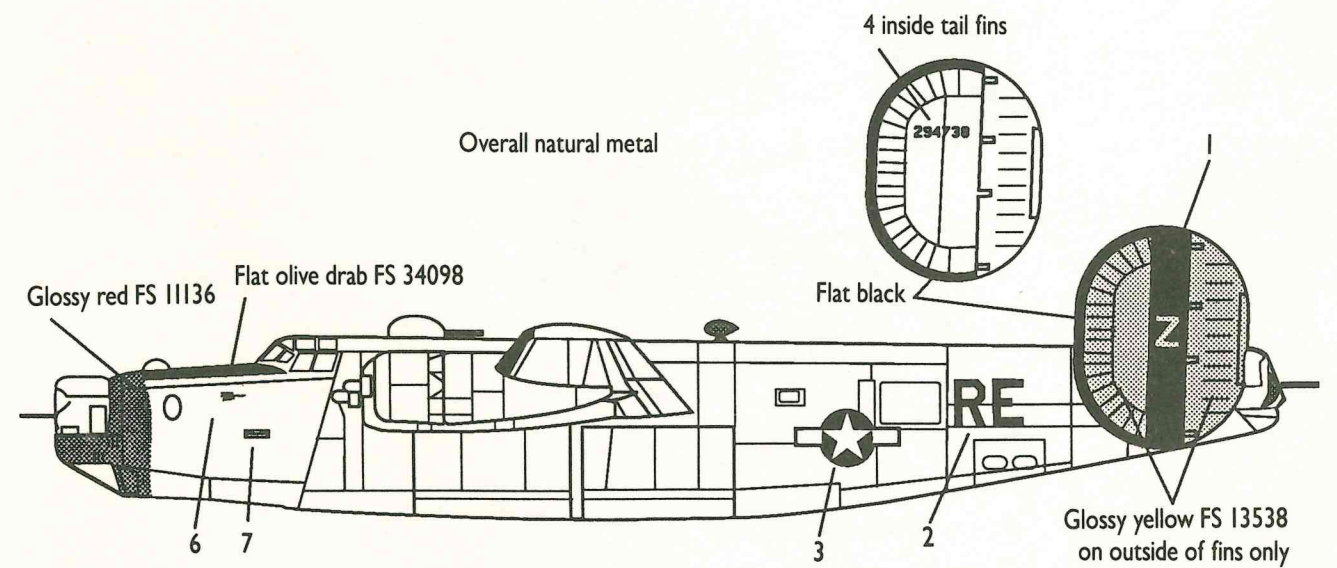
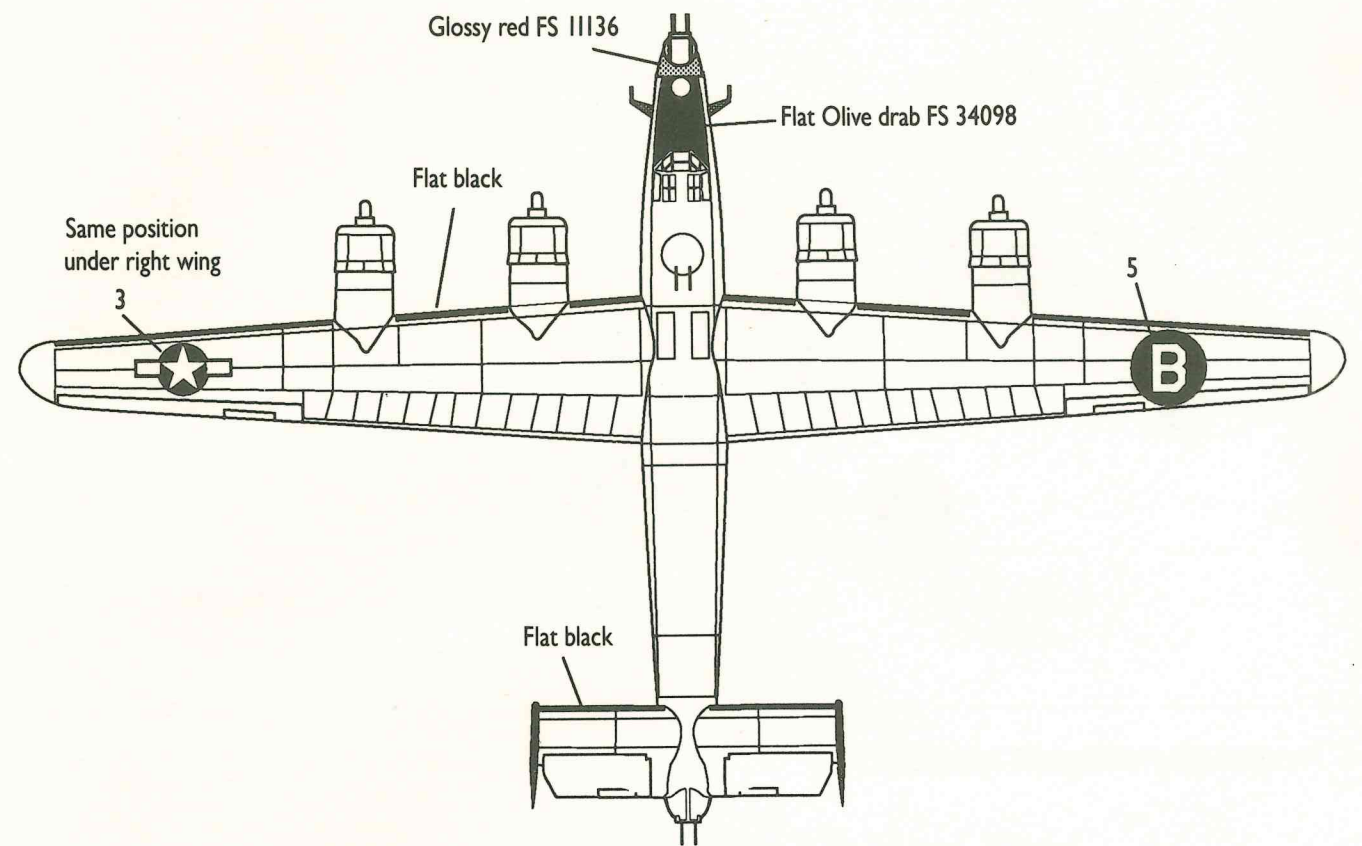
**2** (Repeat for Left side)



**16 TAIL AND FINAL ASSEMBLY**



**PAINING AND DECAL PLACEMENT DIAGRAMS**



B-24H