



Bronco Models

Kit No. CB-35009

HUMBER SCOUT CAR MK. I

英製‘亨伯’偵測車MK. I



The Humber Scout Car entered service in 1943, probably too late to see service in the Tunisian campaign, but was then widely used in Italy and North-West Europe. As it was a Scout Car, it was used by many different units, including the Royal Armoured Corps, Armoured Guards battalions, as well as by the Royal Engineers, Royal Artillery and at the various Formation Headquarters. In some cases it seems that units 'tweaked' the establishment to put the larger Humbers in the HQs, with their Dingos being used at Troop level. Users included Liaison Officers, Intelligence Officers, Signals Officers, Technical Adjutants, and Commanding Officers as their 'run-around' when not mounted in their tank. It was frequently used in Formation HQs as an un-allocated 'pool' vehicle. It was also used by Britain's allies, including the Canadians and Poles.

It has already been noted that production was stopped in 1945, as the war in Europe ended. A decision had been made to continue to use the smaller but generally more capable Dingo as the Scout Car for the post-war army, and thus most of the Humber Scout cars were scrapped or sold off. They did continue to serve in Malaya until the early 1950s, being used by Brigade HQs and Armoured Car regiments, some converted to mount two MGs with a spotlight between, for anti-ambush purposes. They were used by the French, Belgian, Dutch and Danish armies, the French apparently using them in Indo-China in the war with the Viet Minh. A few surviving examples can be found in museums, and a small number of beautifully restored examples survive to grace military vehicle rallies.

‘亨伯’偵測車正式於1943年投入服役。雖然大屠未能參與北非戰役，但卻廣泛使用於稍後之義大利及西歐戰線。由於此車性能超卓為英軍各不同部隊如裝甲兵、砲兵、工程兵等爭相採用。除英國本身外當時還供應其他盟軍如加拿大及波蘭等部隊使用。

1945年中歐戰結束後，‘亨伯’偵測車也正式停止生產。隨後此車部份遭解體或出售至丹麥、法國、荷蘭、比利時及其他英聯邦國家如馬來西亞等部隊使用。在上世紀80年代末中南半島之戰中，此車也曾替法軍立下不少汗馬功勞。直至現在在各國之軍事博物館中還可見到此車之原品保存得非常好狀態。

COLOUR GUIDE 塗色說明：

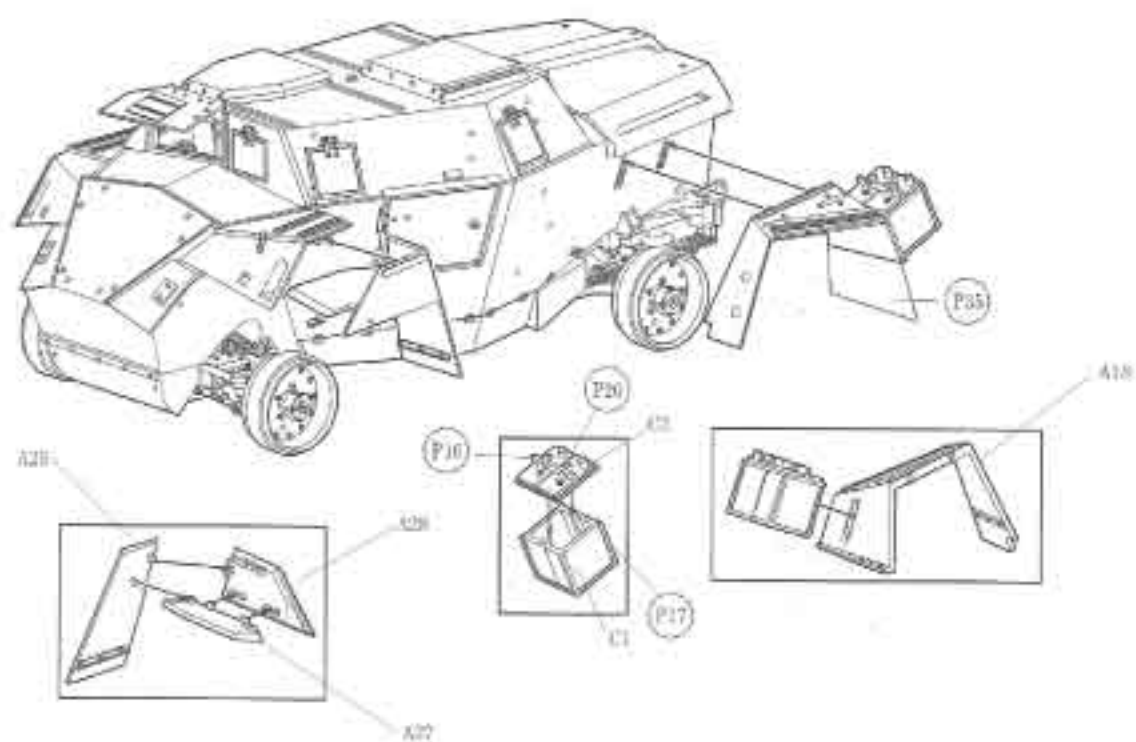
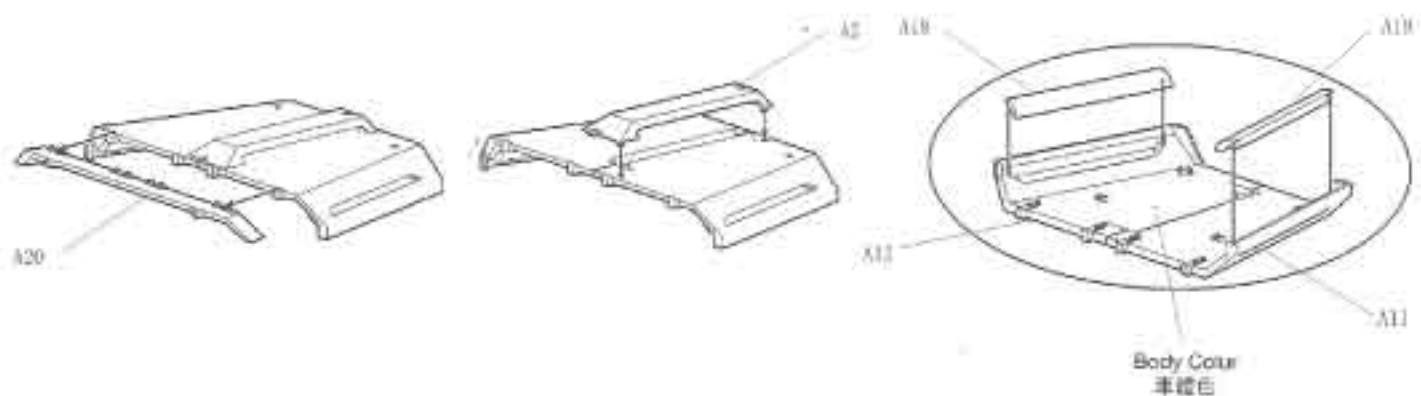


ILLUSTRATION 圖示說明：

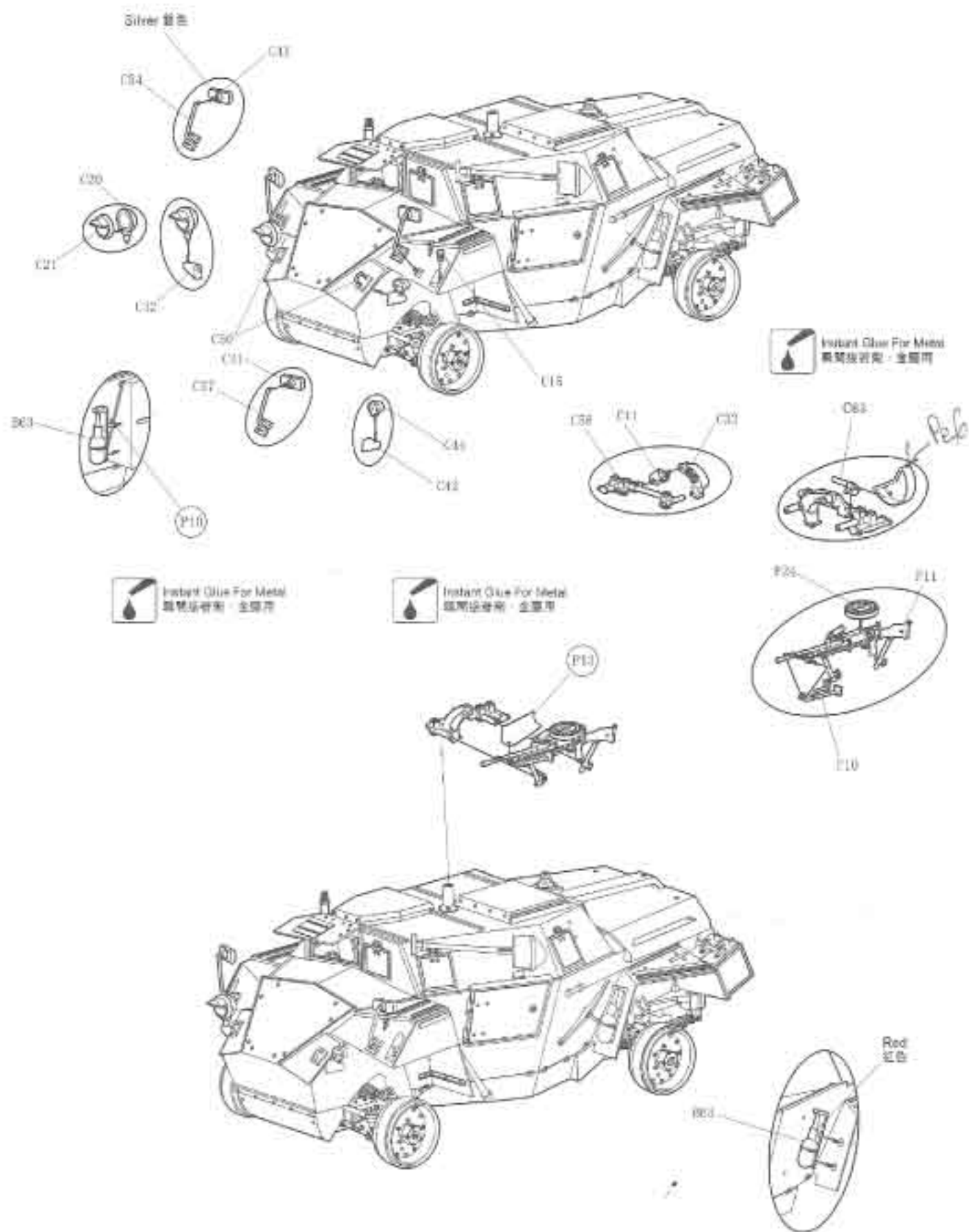
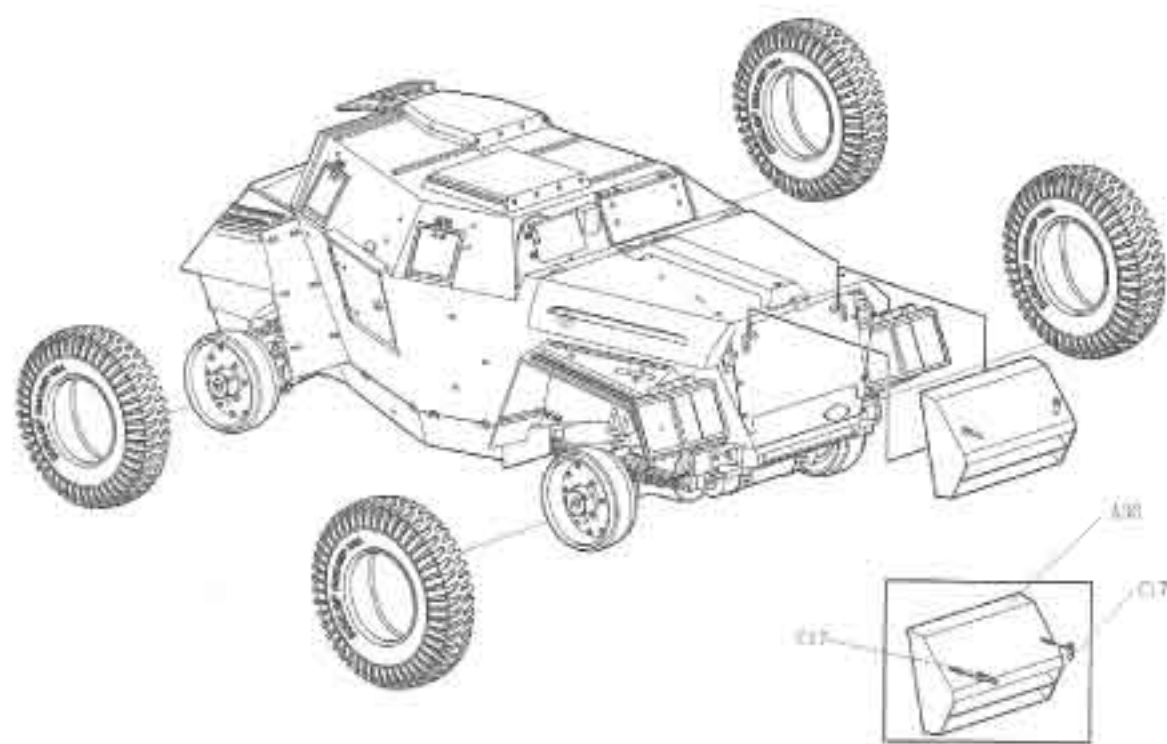
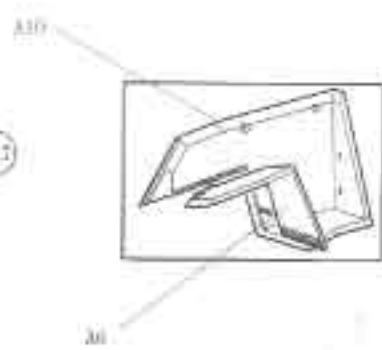
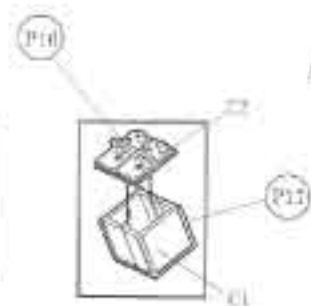
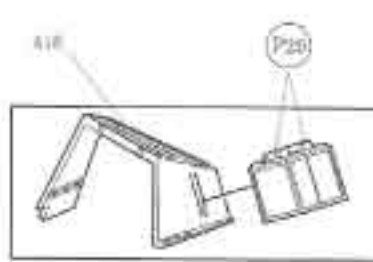
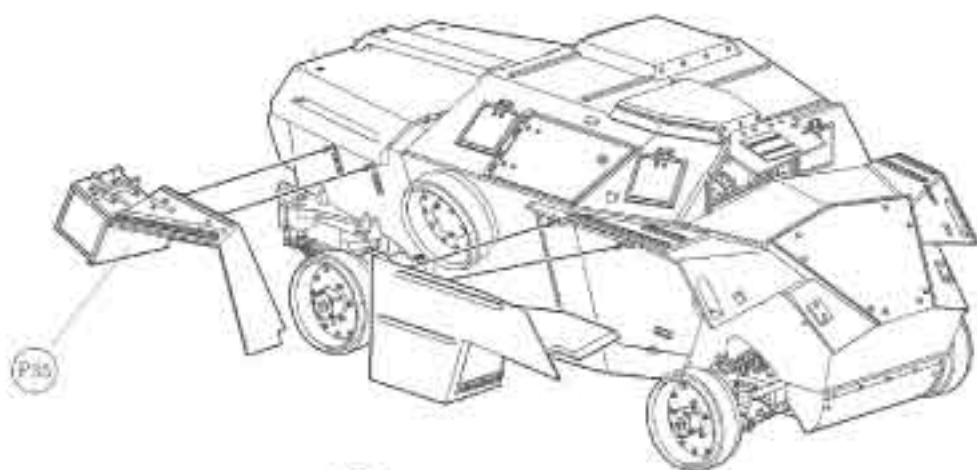
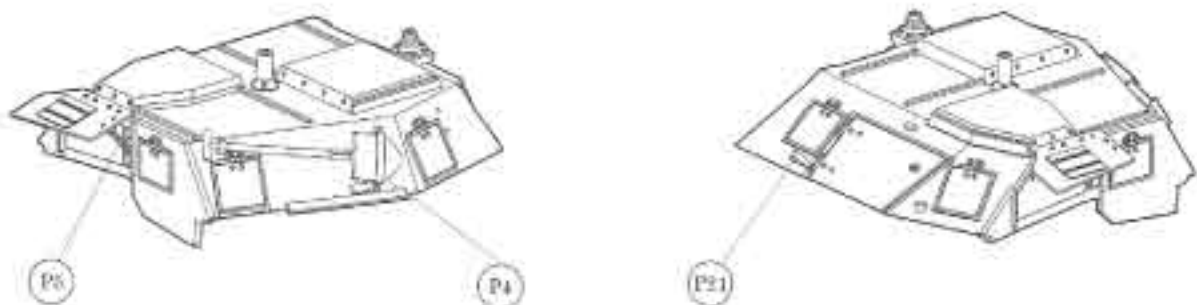
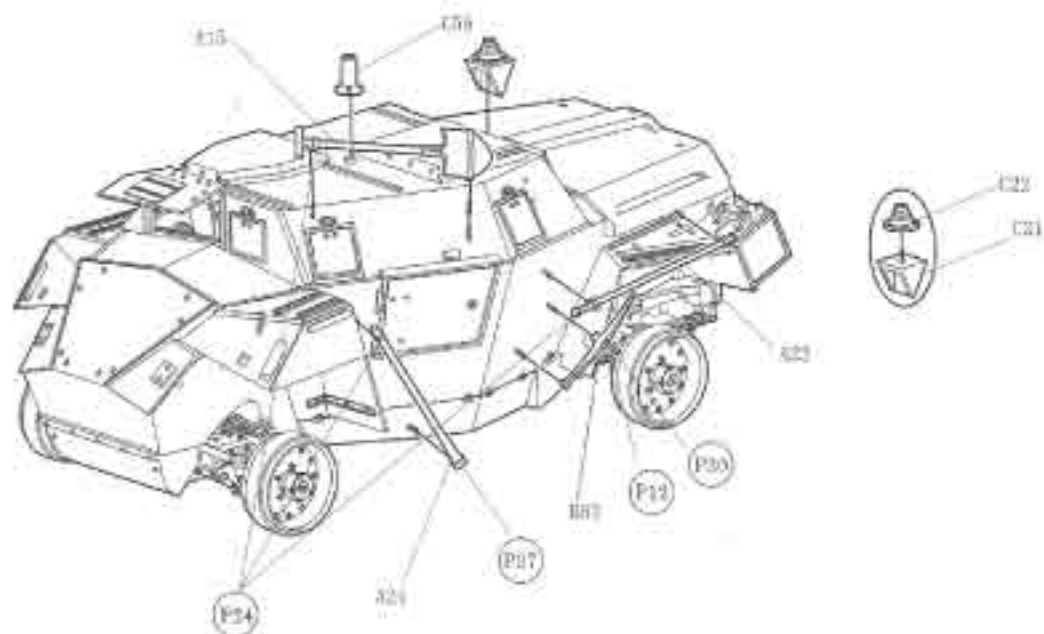


ILLUSTRATION 圖示說明：





Instant Blue For Metal
即時深藍色，金屬件

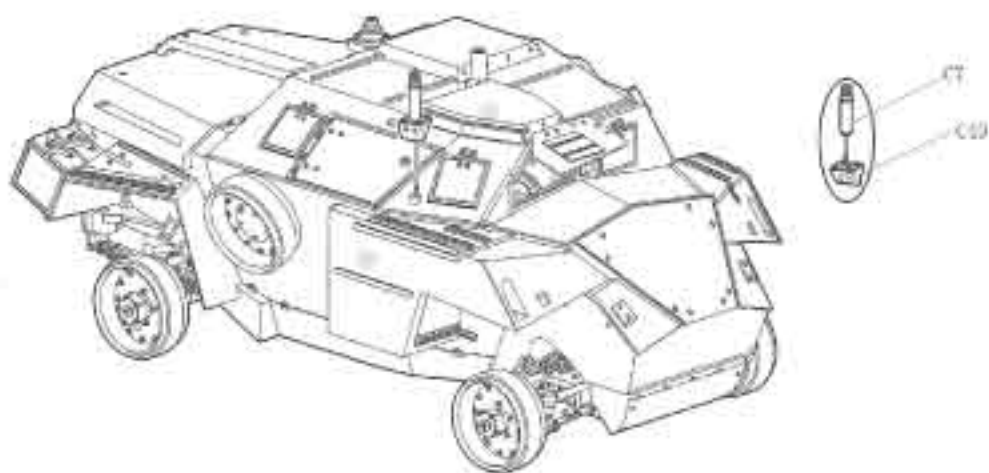
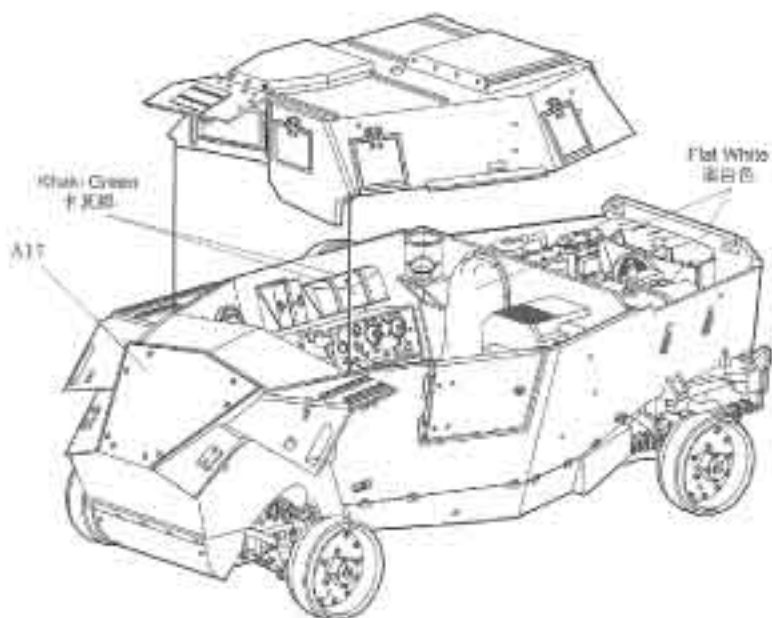


ILLUSTRATION 圖示說明：



Instant Glue For Metal
瞬間接著劑·金屬用



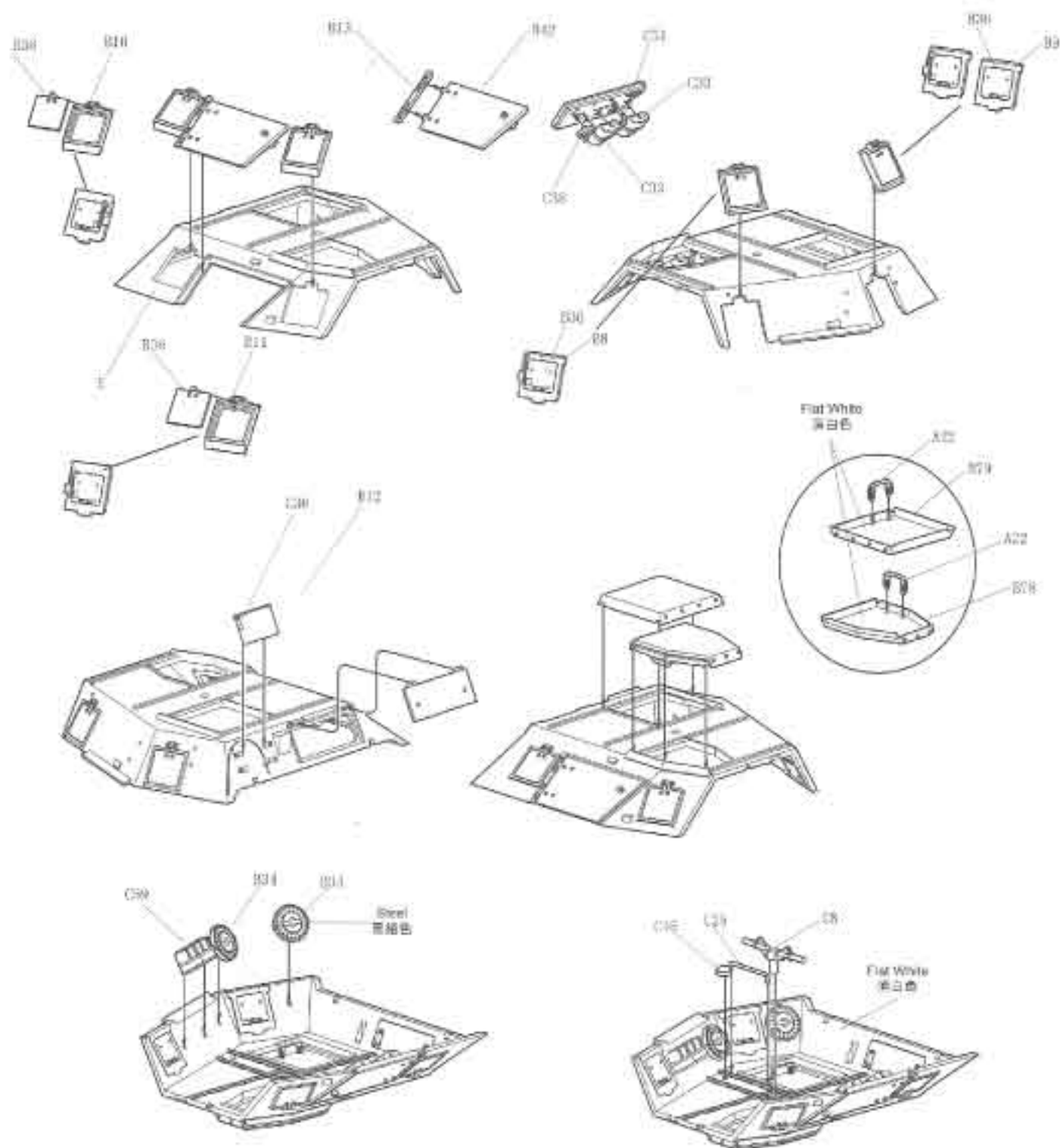
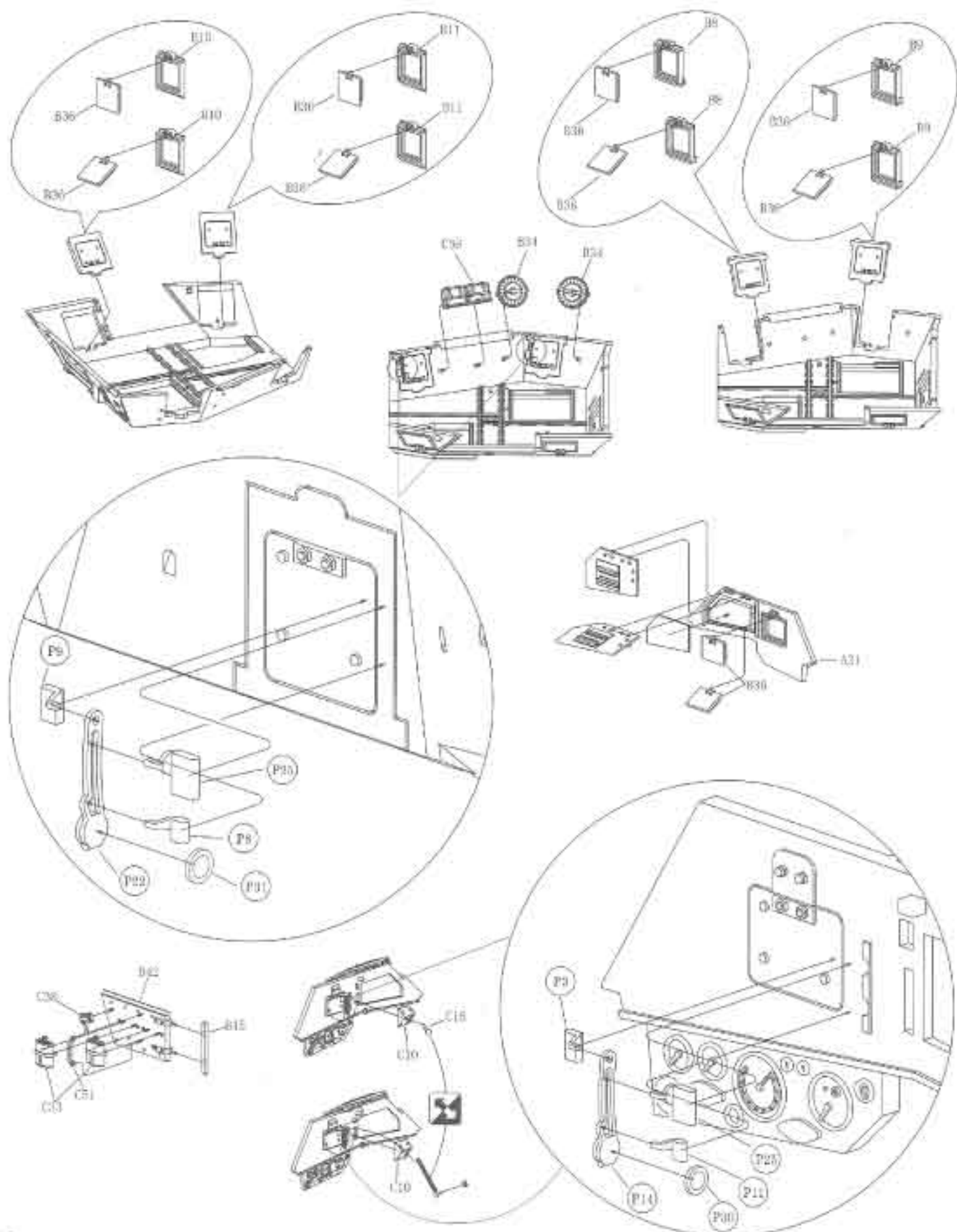


ILLUSTRATION 圖示說明：



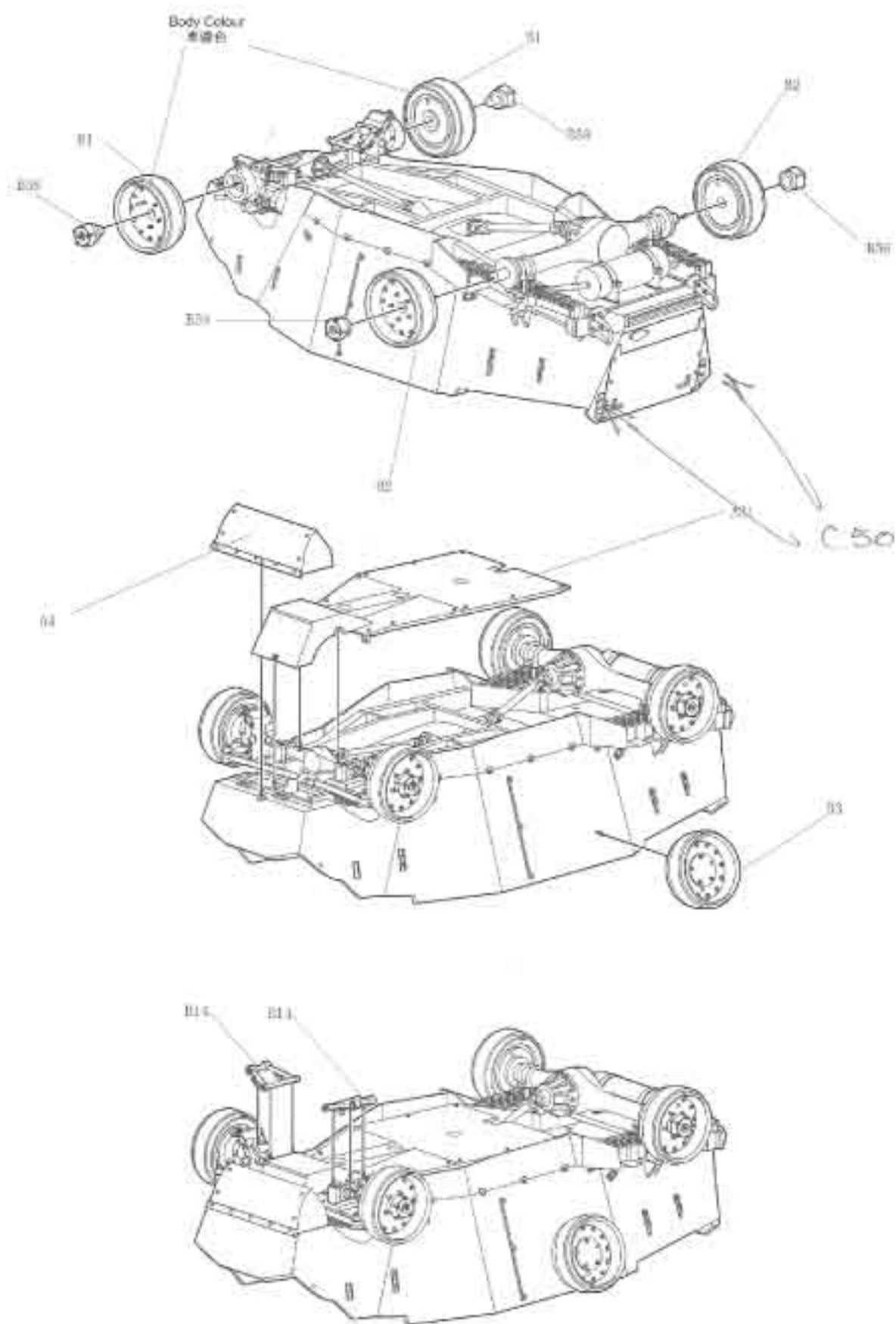
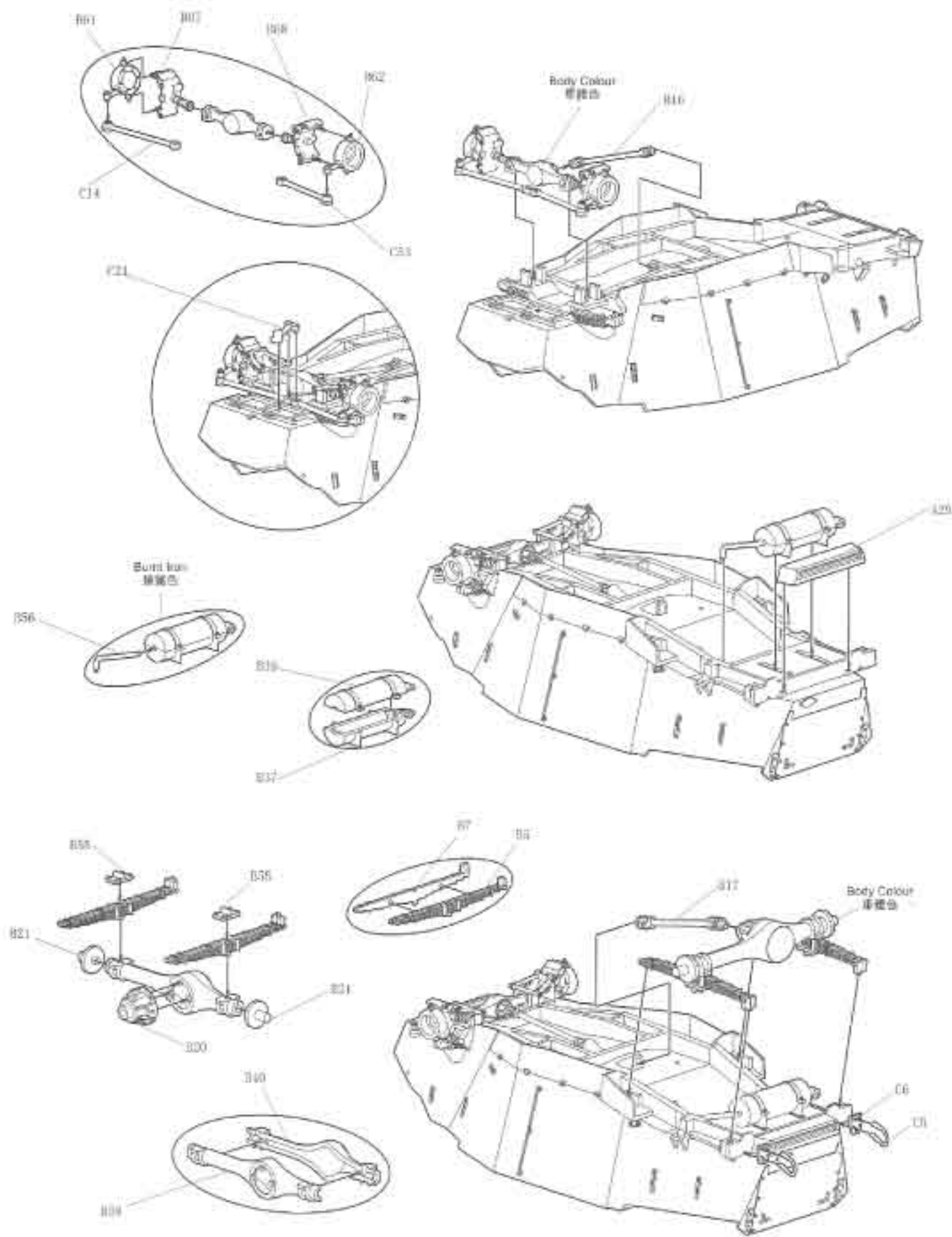
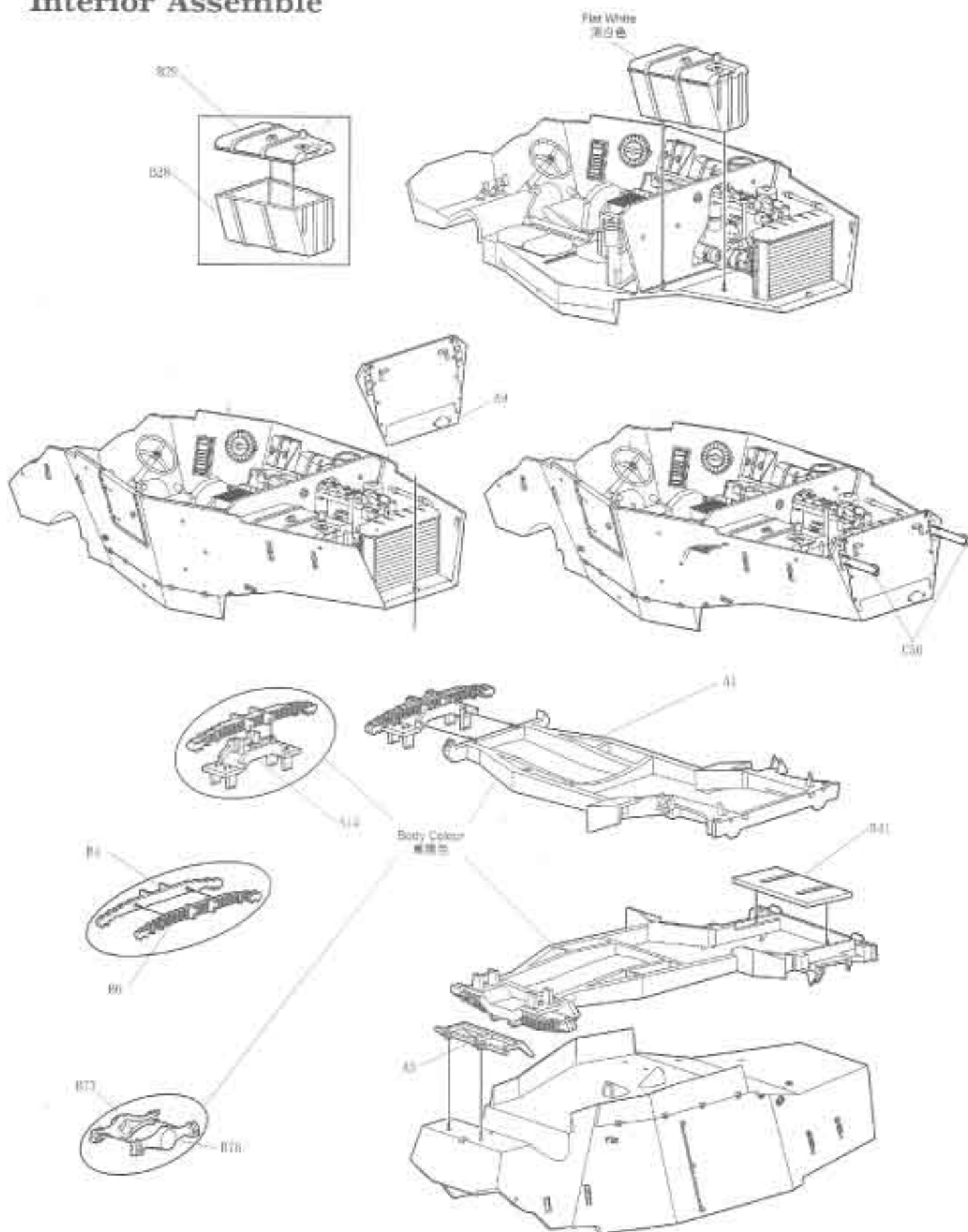


ILLUSTRATION 圖示說明：



Interior Assemble



Engine Assemble

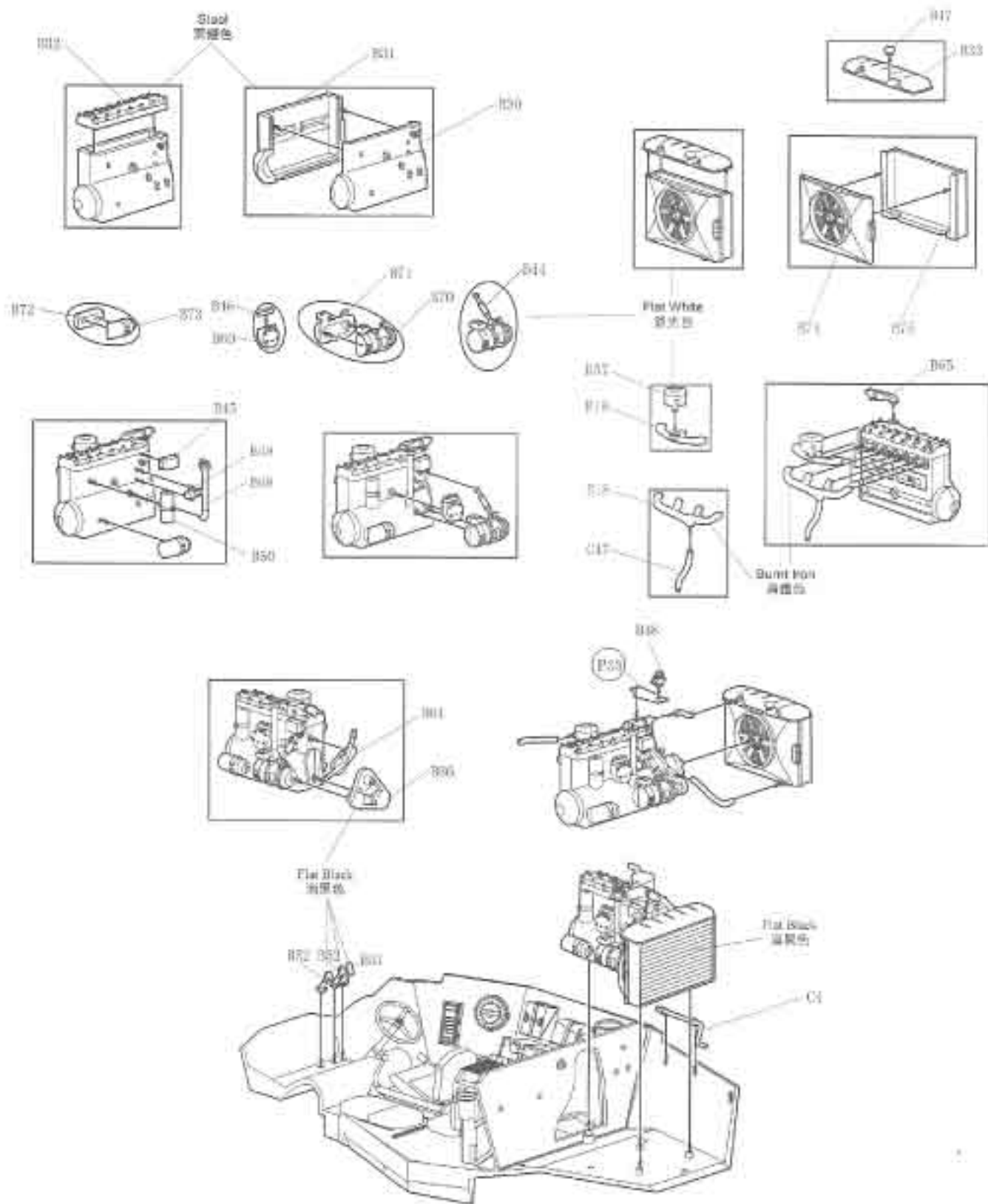


ILLUSTRATION 圖示說明：

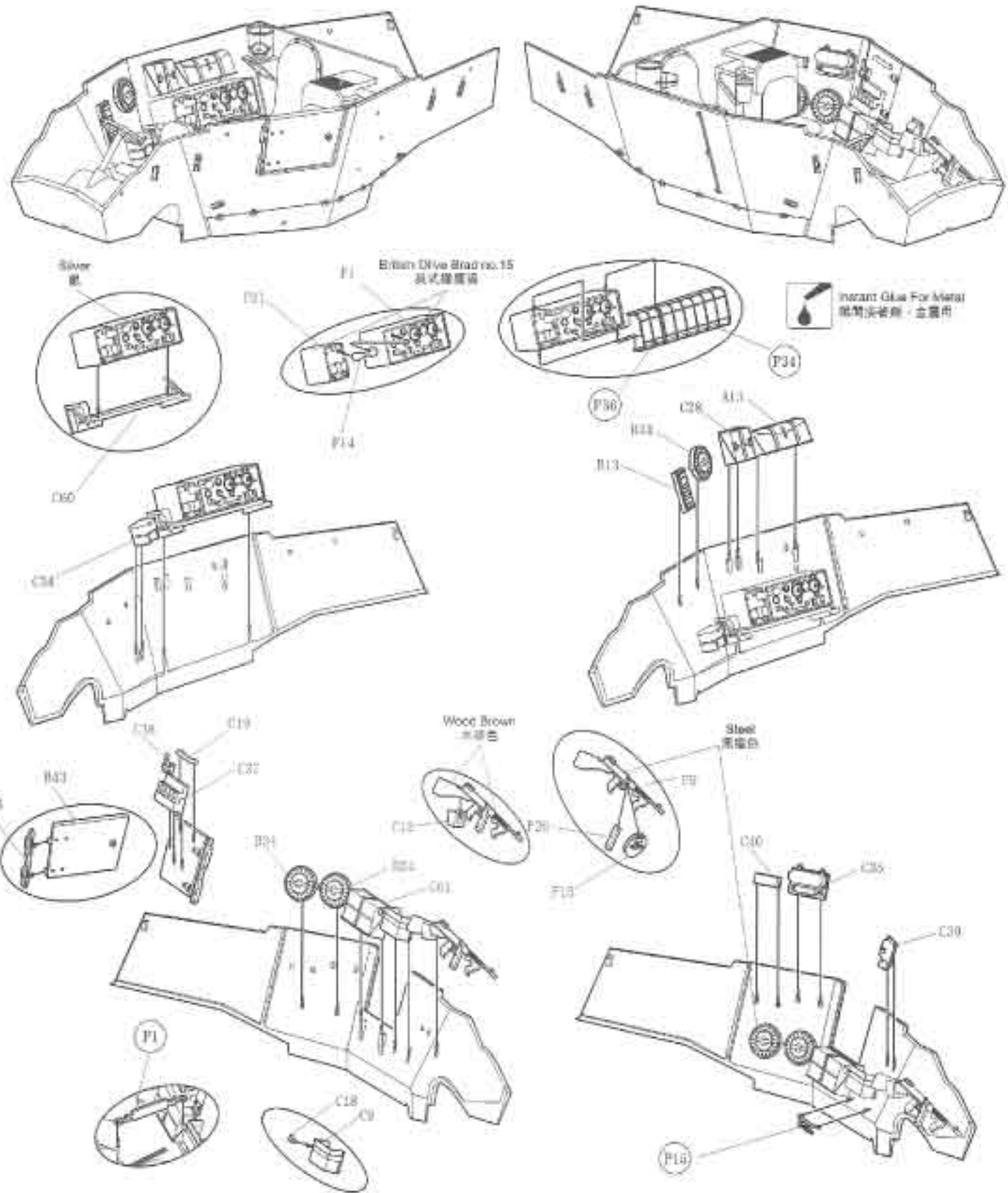
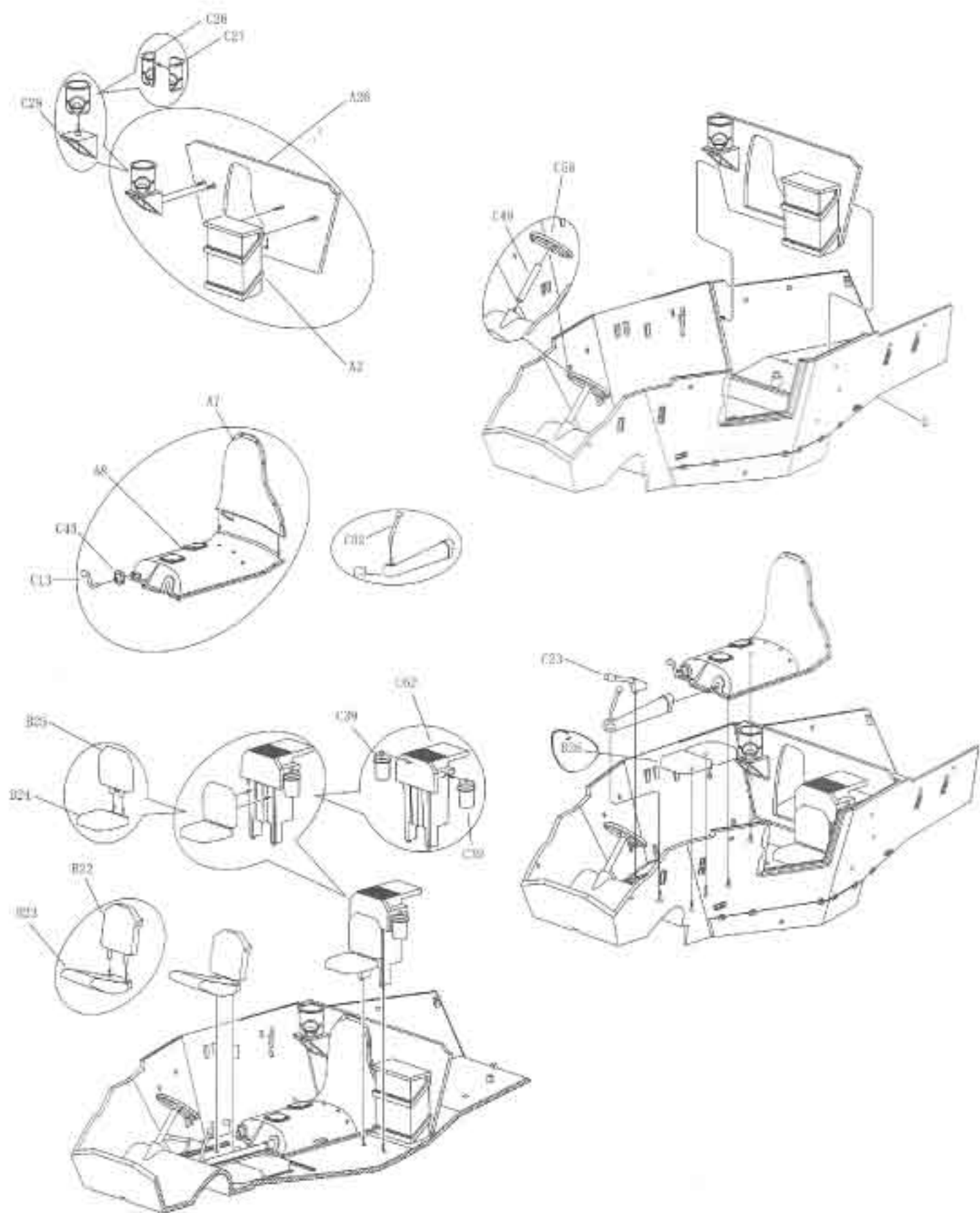


ILLUSTRATION 圖示說明：

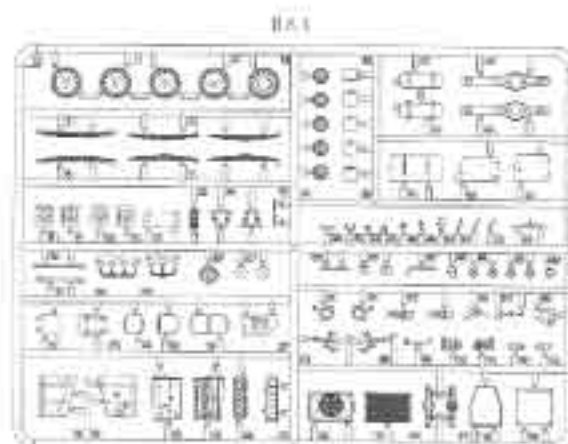
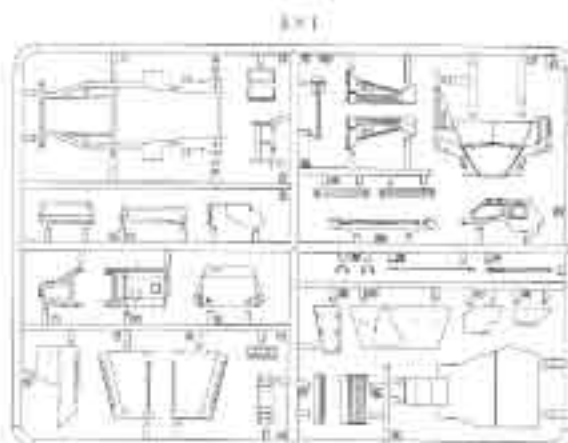
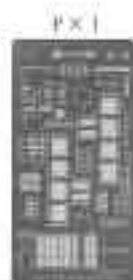




Bronco Models

Made in China
中国制造

PARTS LIST 零件展示表:



ICON INSTRUCTION 符号说明:



Open Hole
穿孔



Remove
移除



2 Sets needed
同类的零件二组



Bend
折弯



Optional
可以选择採用



Apply Decal
貼上水貼紙



Instant Glue For Metal
瞬間接著劑 - 僅適用於



Fill Hole
把孔填平



Do not cement
不用黏合

COLOR SUGGESTION 涂装指引:

Gunze Sangyo	Hobby Color	Gunze Sangyo	Hobby Color	Humbrol	Tamiya
Khaki Green	卡其綠	H-80	C-68	/	/
Red	紅色	H-3	C-3	19	X-7
Silver	銀	H-8	J-8	11	/
Flat White	消光白	H-11	C-62	34	XF-2
British Olive Drab No.15	英式橄欖綠	H-62	C-12	163	XF-58
Dark Green	深綠	H-36	C-17	/	XF-61
Tire Black	輪胎黑	H-77	C-137	85	XF-1
Steel	鋼	H-18	C-26	53	/
Semi-Gloss Black	半光黑色	/	C-82	/	/
Burnt Iron	燒鐵色	H-76	C-61	/	/
Wood Brown	木棕色	H-37	C-43	/	/
Field Green	田野綠	/	/	69.70% + 33.30%	/
Flat Black	消光黑	H-12	C-33	33	XF-1
Flesh	肌肉色	H-44	C-112	61	XF-15
Orange	橙色	H-14	C-59	18	X-8
Blue-Black	藍黑色	H-40 50% + H-17 50%	C-20 30% + C-33 50%	21.50% + 25.30%	XF-1 50% + XF-8 50%
Light Mud(Sandy-Gray)	沙灰色	/	/	63.50% + 94.80%	XF-80 50% + XF-66 50%
Deep Bronze Green	深銅綠色	/	/	75.90% + 33.10%	/

READ BEFORE ASSEMBLING

- Carefully Study instruction before assembling. 認真閱讀組裝說明書再組裝!
- Keep plastic model glue and tools away from children. 膠水 - 藥料及工具均屬小兒危險品!

- Do not use cement or paint near open flame or sparks. 膠水及油漆均忌明火!
- Do not work in closed room. 組裝模型時須保持通風!

ILLUSTRATION 圖示說明：

CORRECT METHOD FOR APPLYING DECALS 正確使用貼紙方法：

1. Clean model parts surface with wet cloth.
將需要貼上水貼之部位表面擦乾淨。
2. Cut out the decal parts and dip them in cold water for 15-20 seconds.
將所需之貼紙剪下來在清水裏約15至20秒。
3. Place it on correct position of the model kit.
將濕透之貼紙取出置放於正確之位置旁。
4. Slide off the decal from the base paper on to the model kit surface with a cotton stick.
用棉花棒將濕透貼紙表面使其慢慢滑出至模型表面之正確位置。
5. When decal get dry then complete.
待其自然乾透後即完成。

COLOR SUGGESTION 塗裝指引：

Option 1 - Guard Armoured Division Germany 1945
Camouflage Scheme - Overall SCC B844 No. 15 Olive Drab
1945年德國防衛師之北德非勒德軍團所屬下裝甲師
全車綠褐色

Note: No. 15 Olive Drab
15號 北德非勒德軍團

Note: No. 15 Olive Drab
15號 北德非勒德軍團

Colour: Olive
15號 綠褐色

Option 2 - HSC of AFV Driving & Maintenance School Lubeth 1945
Camouflage Scheme - Overall Colour SCC2 Brown
1945年德防衛師北德非勒德軍團所屬下裝甲師
全車深褐色

Note: No. 15 Olive Drab
15號 北德非勒德軍團

Note: No. 15 Olive Drab
15號 北德非勒德軍團

Option 3 - HSC of Gurkha Hussar Regiment Danish Army 1950
Camouflage Scheme - Overall Dark Green
1950年丹麥陸軍哥倫比亞
全車深綠色

Colour: Dark Green
19號 深綠色

Option 4 - RHQ 217th Assault Division Germany 1945
Camouflage Scheme - Overall British SCC18 Olive Drab
1945年德國防衛師北德非勒德軍團所屬下裝甲師
全車深綠色

Note: No. 15 Olive Drab
15號 北德非勒德軍團

Colour: Olive
15號 綠褐色

Option 5 - 5th Air Task Regt RA, 15th Infantry Division July 1944
Camouflage Scheme - Overall Colour SCC9 Light Mud with
SCC14 Blue-Black camouflage pattern and White underpainting
1944年義大利防衛師之第25步兵師第4步兵旅所屬下裝甲師
全車深褐色與藍黑迷彩

Note: No. 15 Olive Drab
15號 北德非勒德軍團

Note: No. 15 Olive Drab
15號 北德非勒德軍團

Colour: Blue-Black
15號 藍黑迷彩

Option 6 - G Coy 1st Hussars, Malaysia 1950
Camouflage Scheme - Overall SCC 224 Deep Bronze Green
1950年駐馬來亞之英軍第1騎兵團第1中隊所屬下裝甲師
全車深綠色

Note: No. 15 Olive Drab
15號 北德非勒德軍團

Note: No. 15 Olive Drab
15號 北德非勒德軍團

Colour: Dark Green
19號 深綠色

The entire model is painted with Flat White
全車塗裝白色

Camouflage Color: Blue-Black
迷彩顏色 藍黑